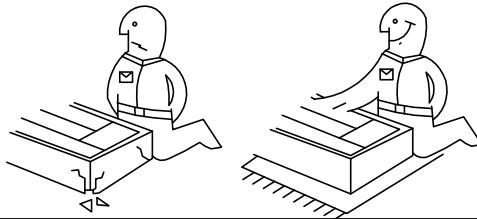
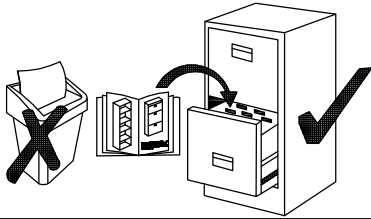
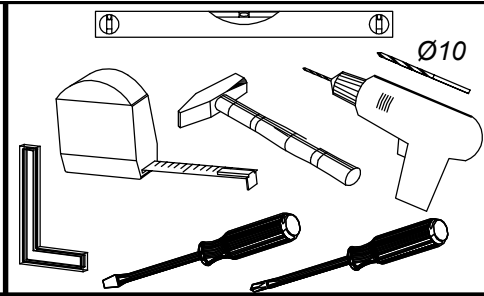


TWO

54-122-..-M

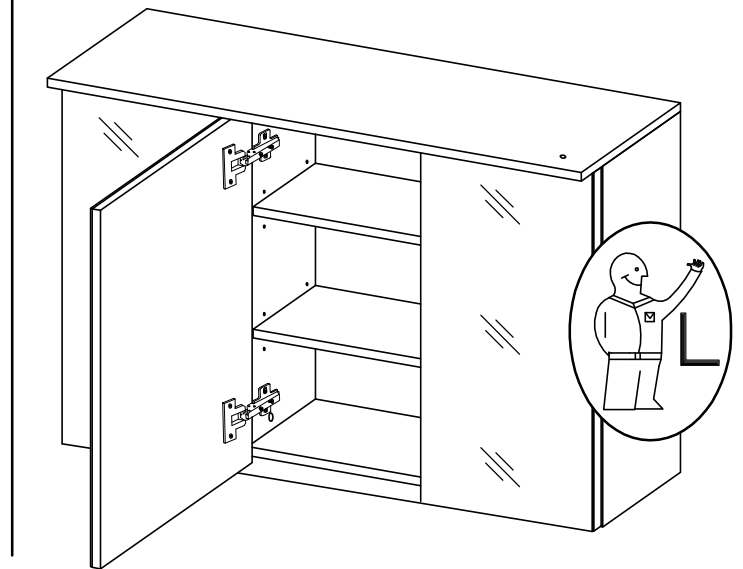
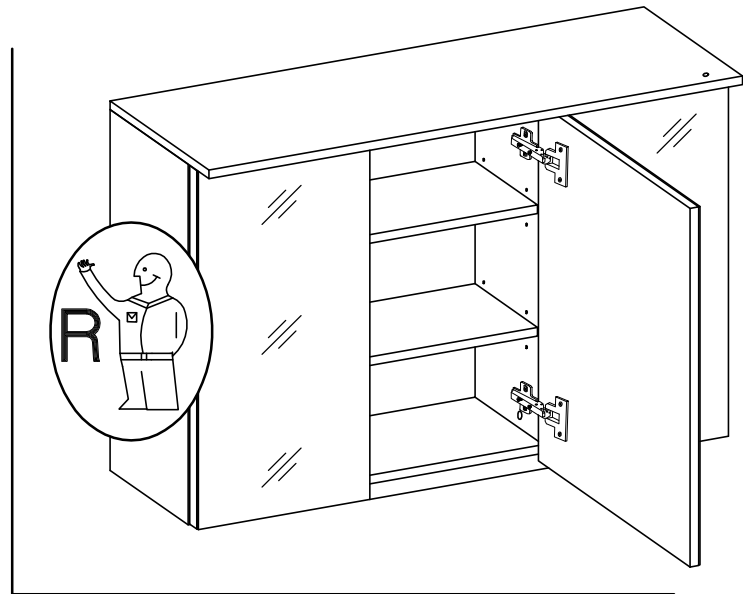
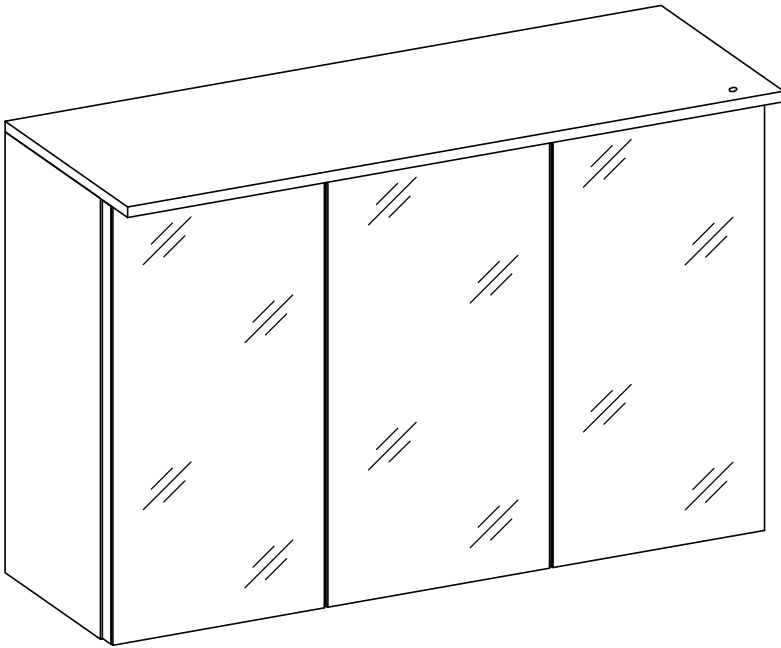


54-122-E5

54-122-17

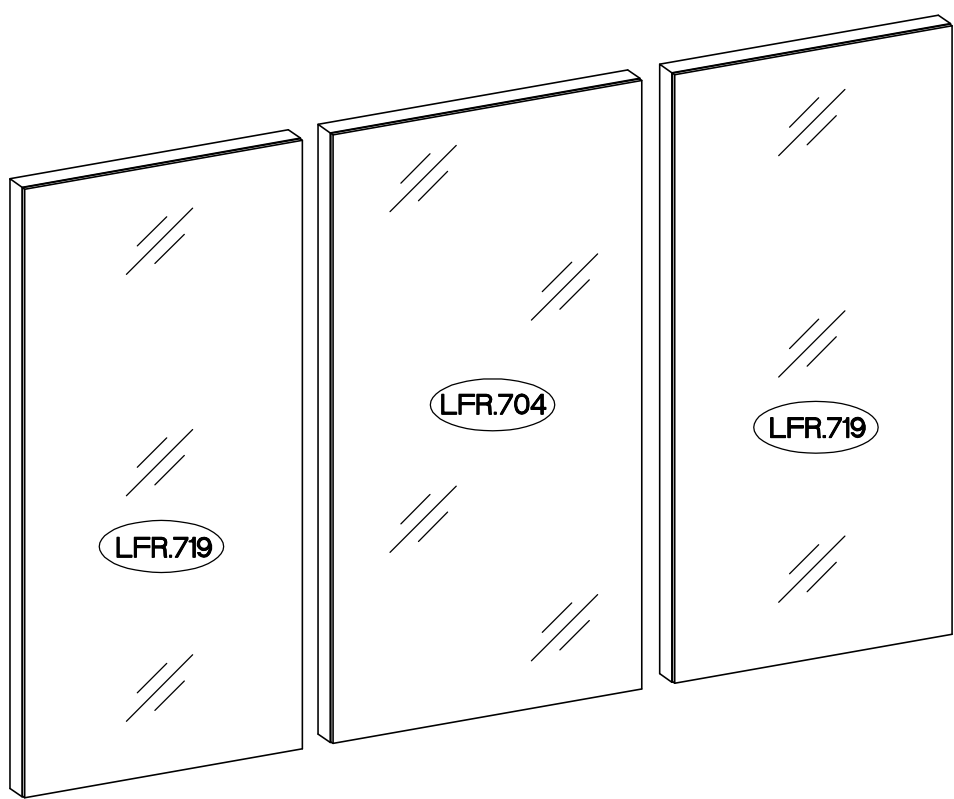
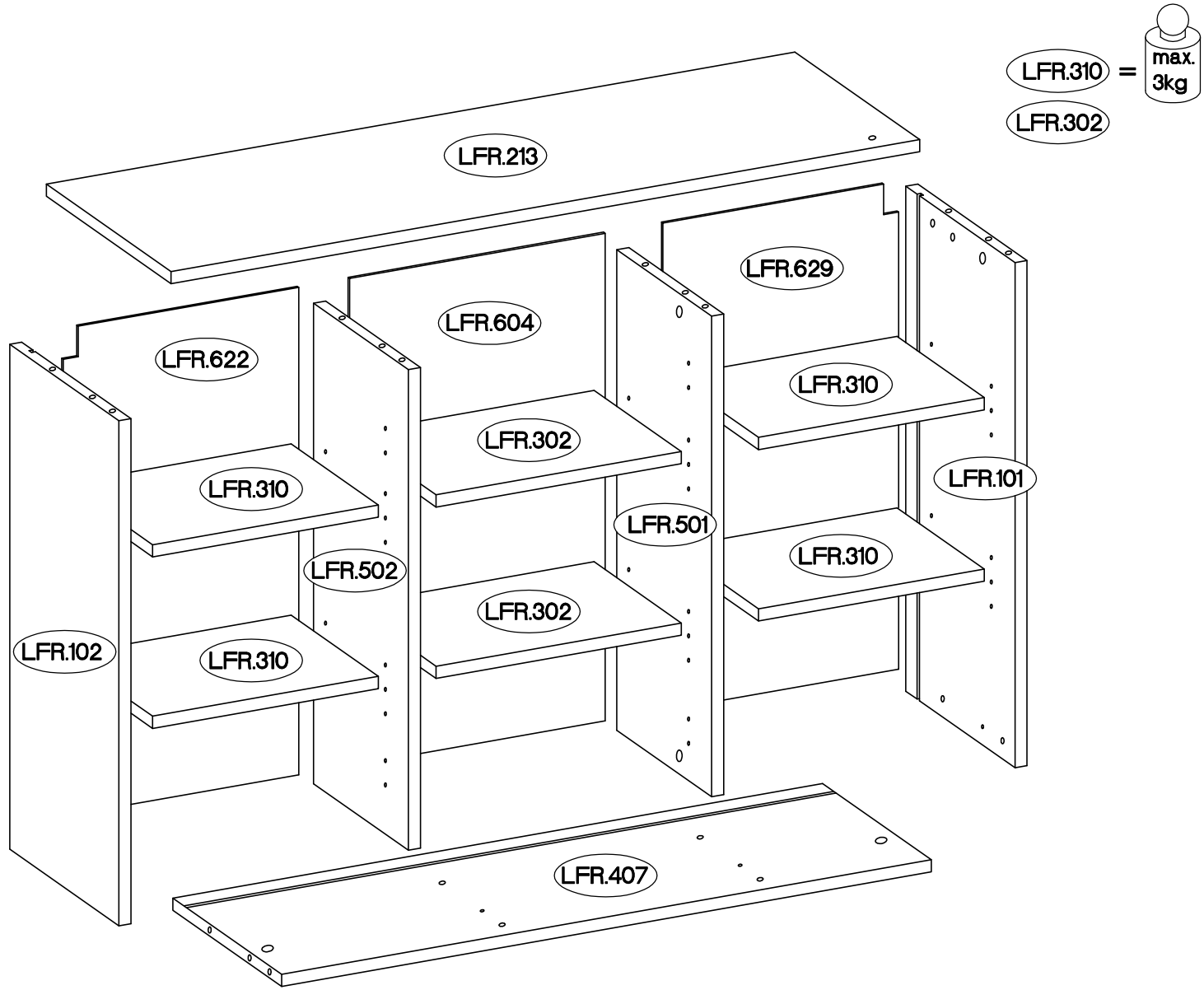


90min



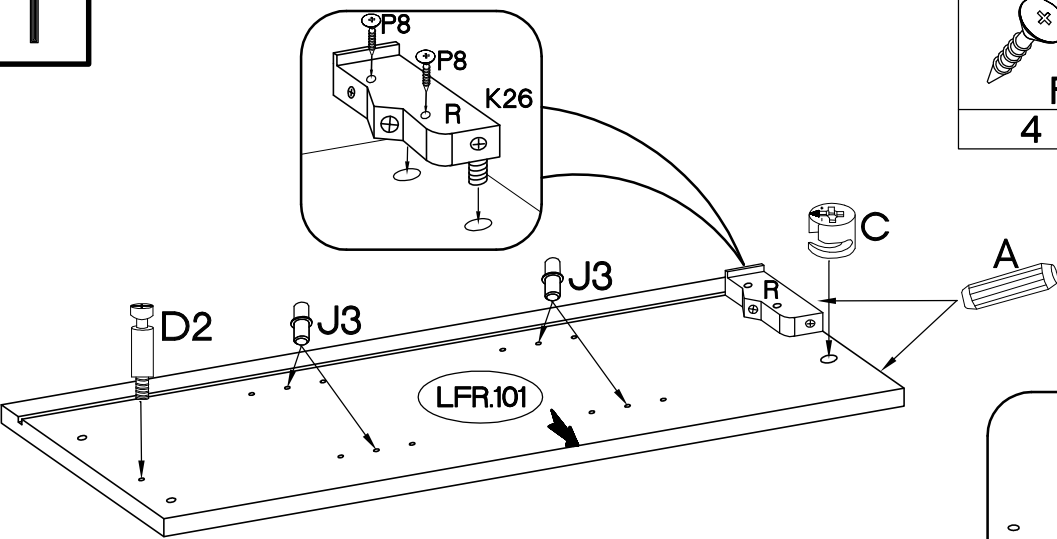
<p>L=932mm J53 1</p>	<p>6,5/68mm O4 2</p>	<p>±10x50mm O7 2</p>	<p>±4.0x30mm P8 4</p>	<p>L K25 1</p>	<p>R K26 1</p>	<p>±5/16mm J3 24</p>	<p>±3.5x13mm P5 12</p>	<p>H=2 H4 6</p>
<p>±15/12mm C 8</p>	<p>L=20mm D2 8</p>	<p>±8x30mm A 16</p>	<p>E 8</p>	<p>L 10</p>	<p>±3.0x16mm P11 10</p>	<p>L2 10</p>	<p>±35/9mm G1 6</p>	

ISM-LFR-14

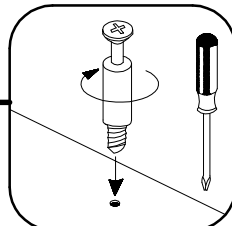
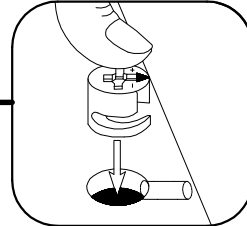
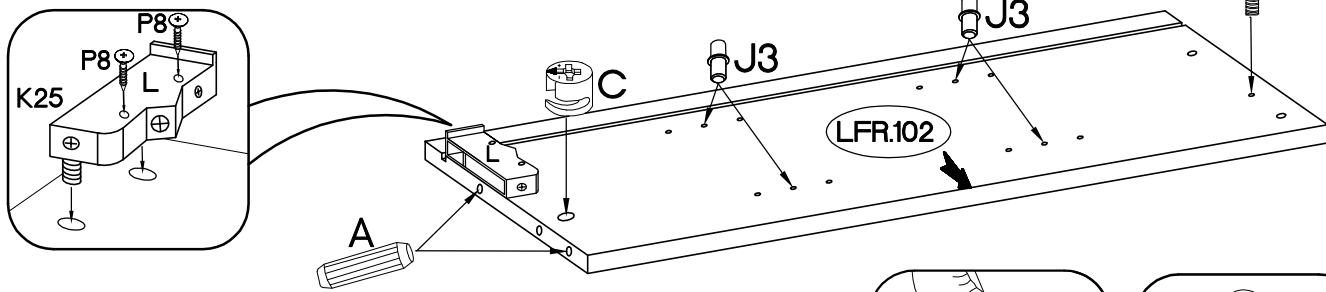
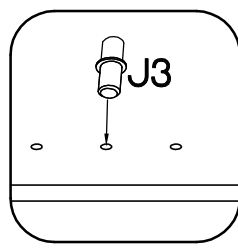


Colli	Ersatzteil Nummer	Dimension
Colli 1/1	LFR.101	663x175x16
	LFR.102	663x175x16
	LFR.213	1002x225x16
	LFR.310 x4	303x140x16
	LFR.302 x2	327x140x16
	LFR.407	968x174,5x16
	LFR.501	631x152x16
	LFR.502	631x152x16
	LFR.622	640x316x2,5
	LFR.629	640x316x2,5
	LFR.604	640x341x2,5
	LFR.719 x2	659x324x19
	LFR.704	659x340x19

1

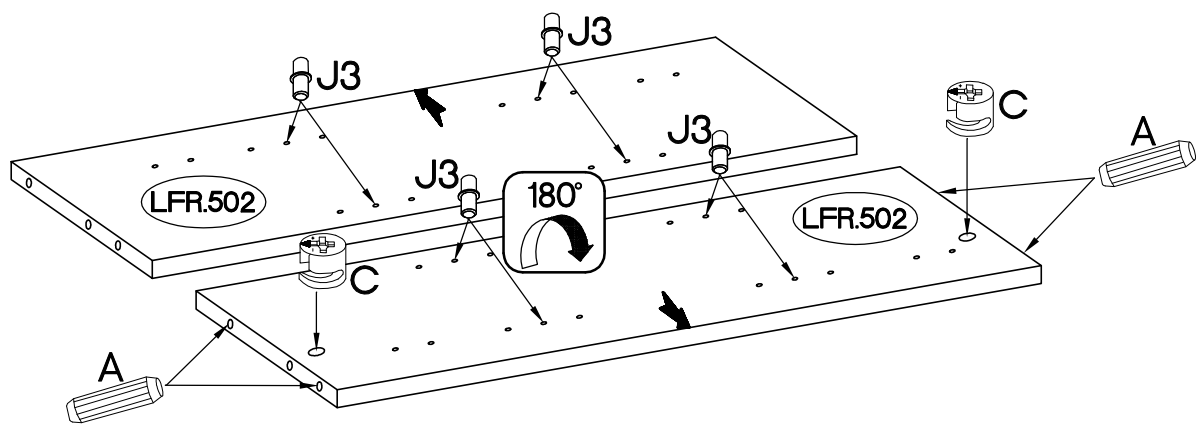
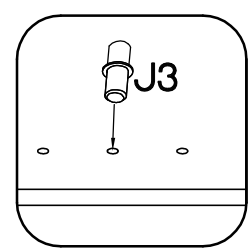
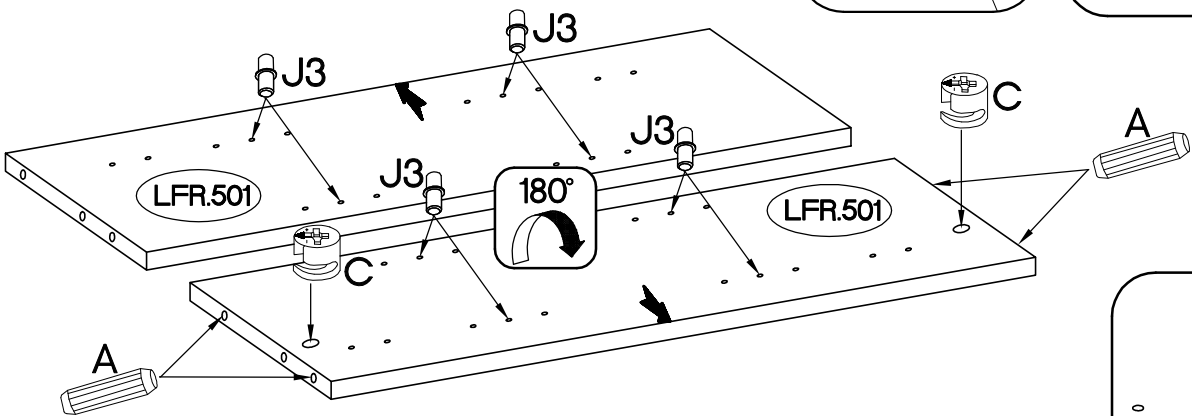


±4.0x30mm P8 4	L K25 1	R K26 1	±5/16mm J3 8
	±15/12mm C 2	L=20mm D2 2	±8x30mm A 4


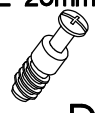
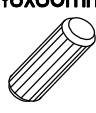


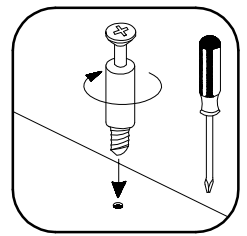
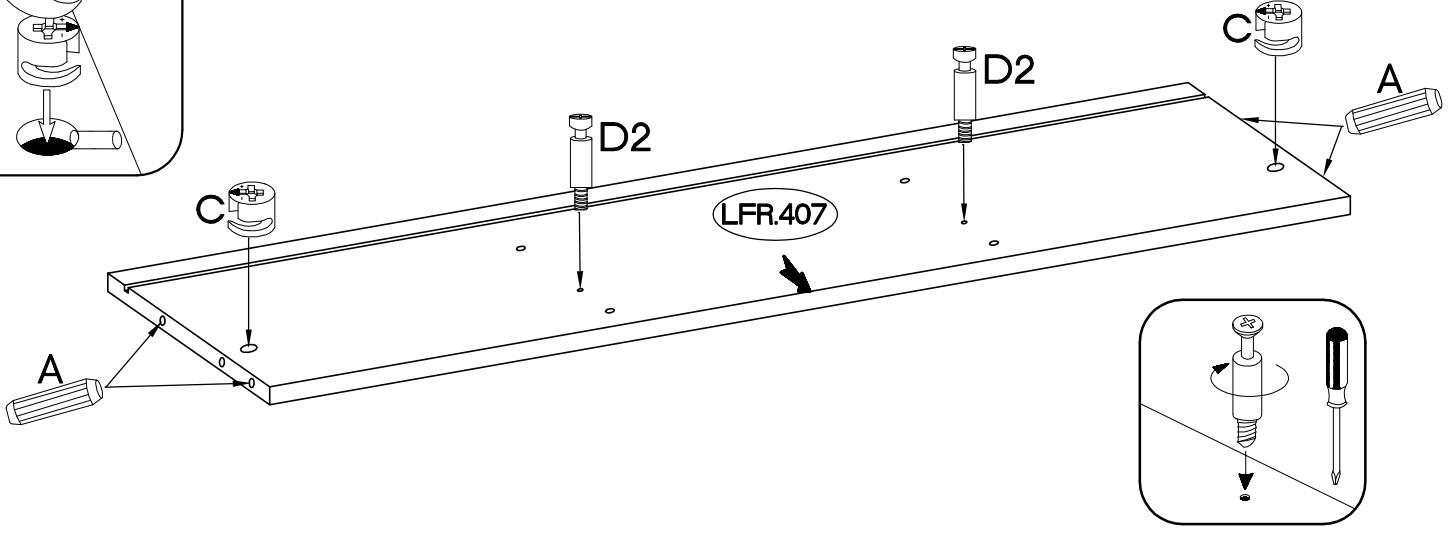
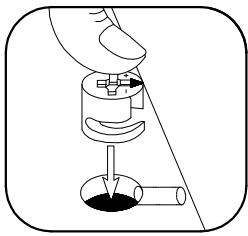
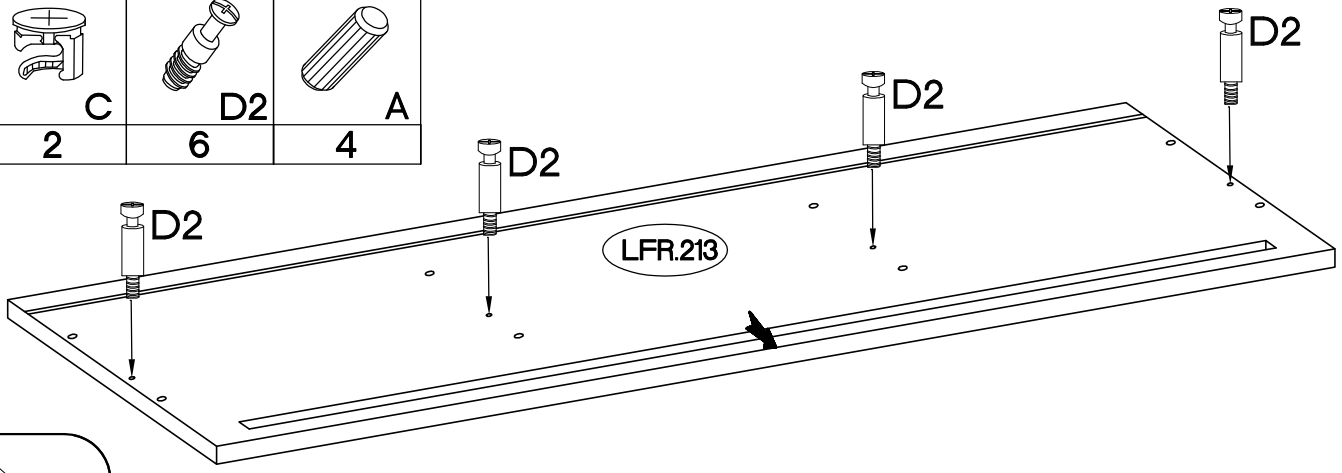
2

±15/12mm C 4
±5/16mm J3 16
±8x30mm A 8


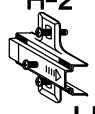
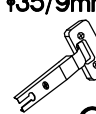


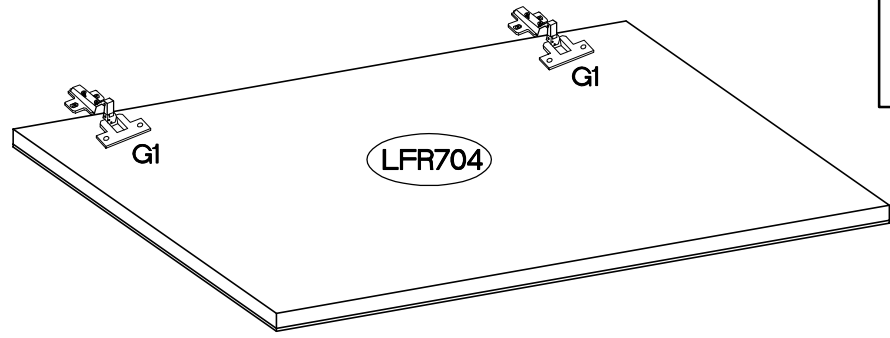
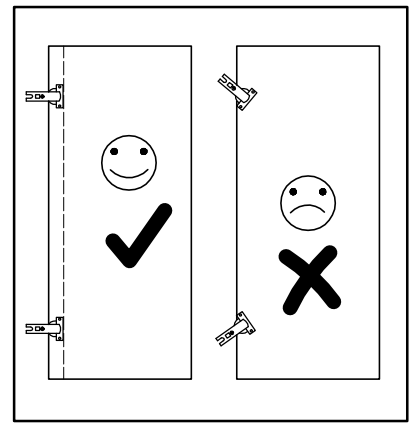
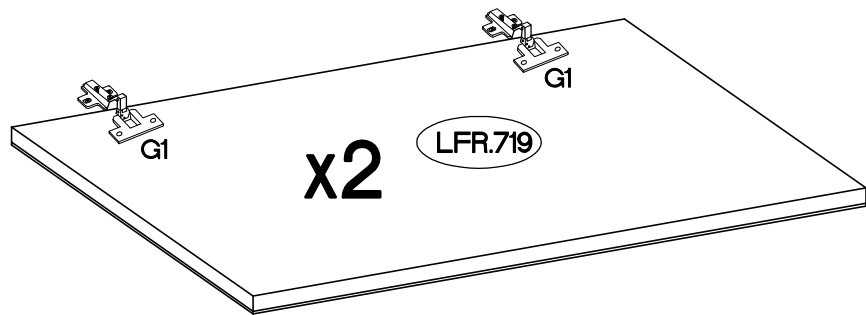
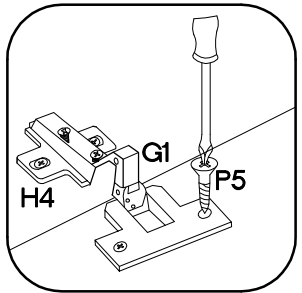
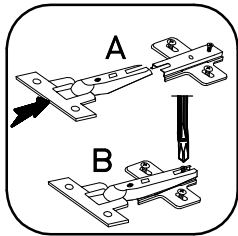
3

$\pm 15/12\text{mm}$	$L=20\text{mm}$	$\pm 8 \times 30\text{mm}$
		
C	D2	A
2	6	4

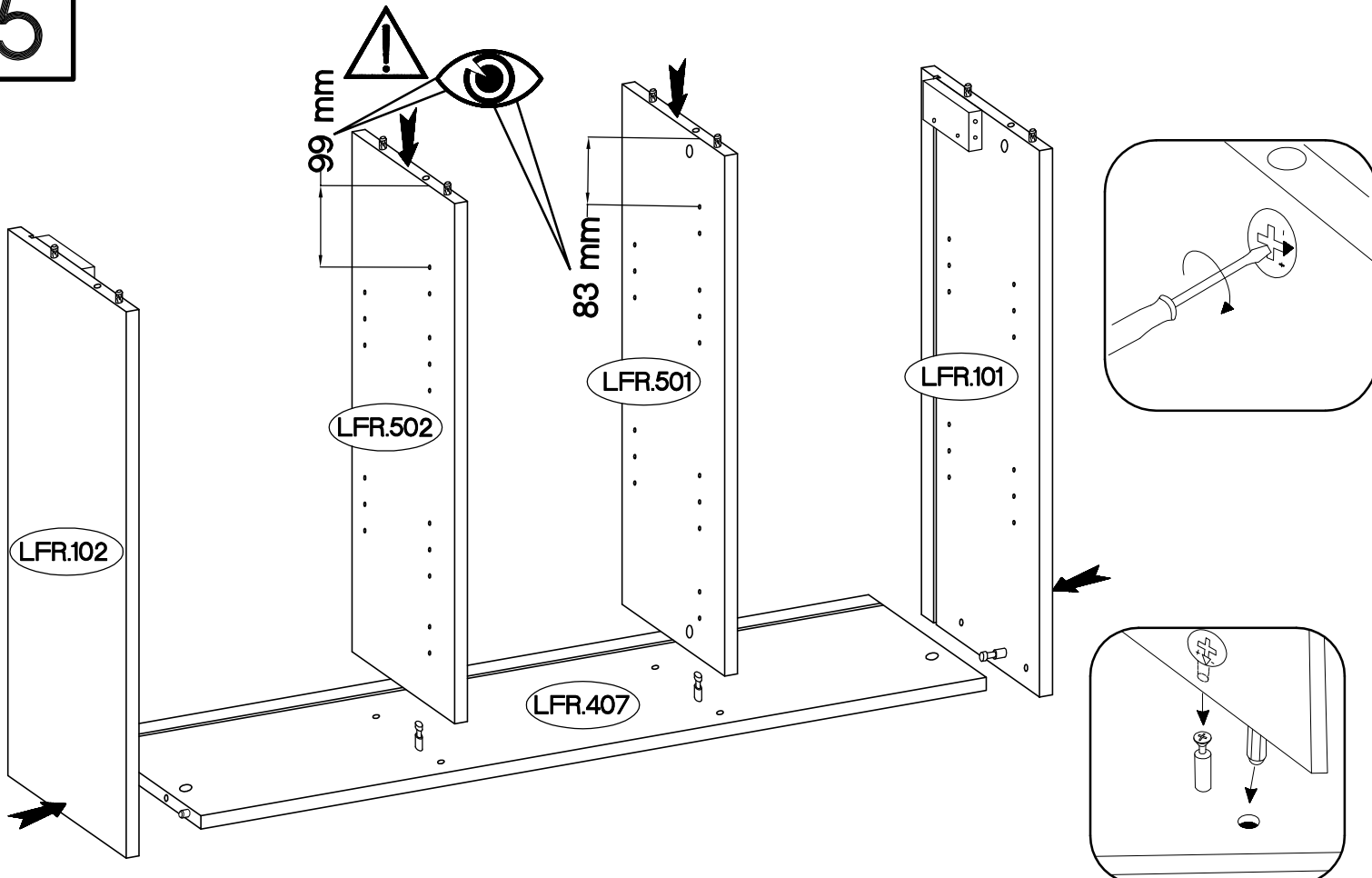


4

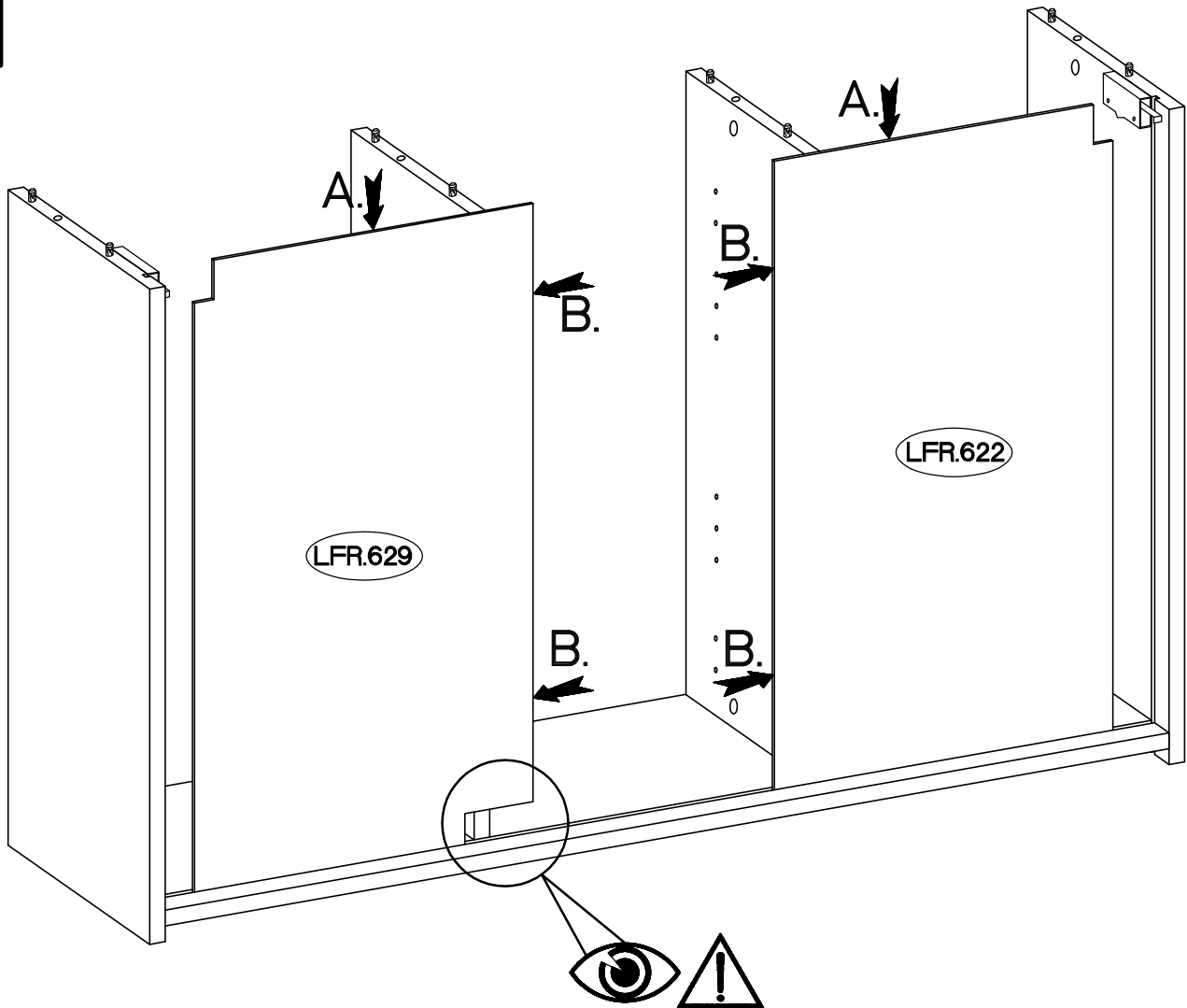
$\pm 3.5 \times 13\text{mm}$	H=2	$\pm 35/9\text{mm}$
		
P5	H4	G1
12	6	6

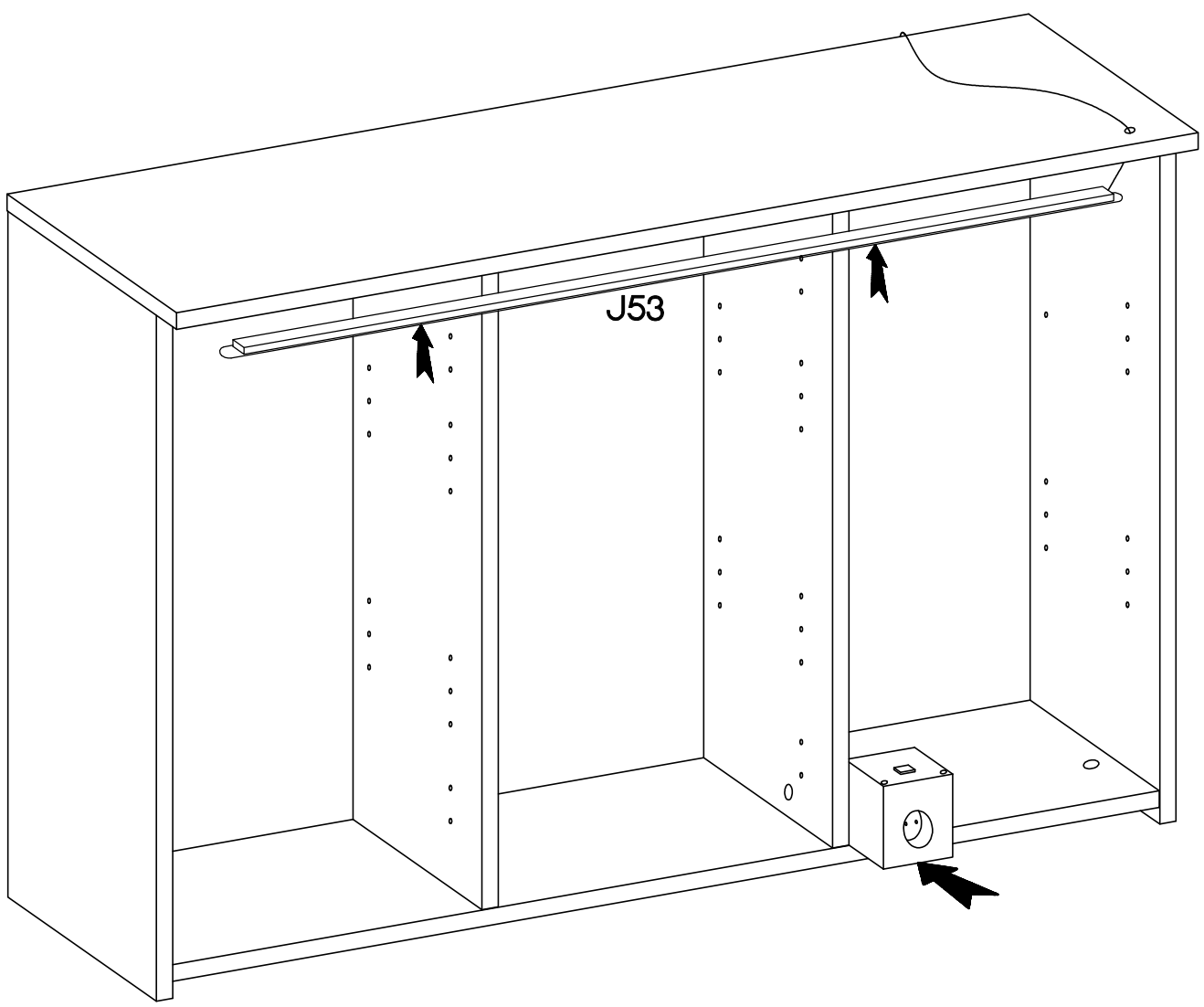
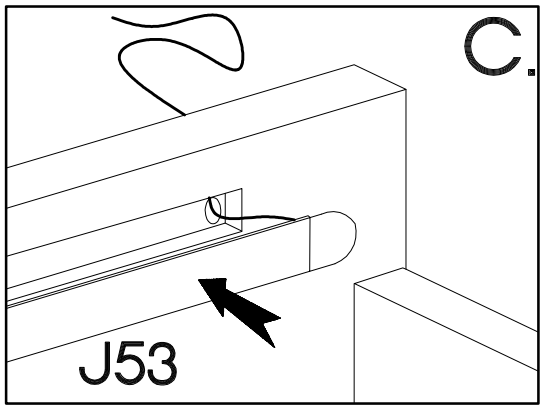
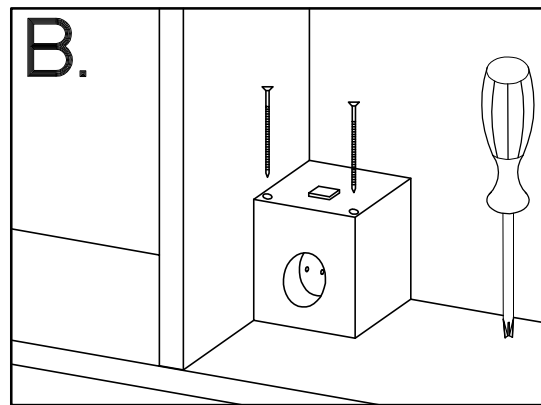
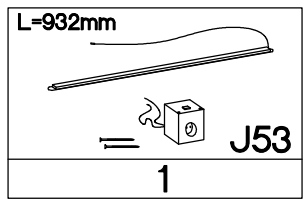
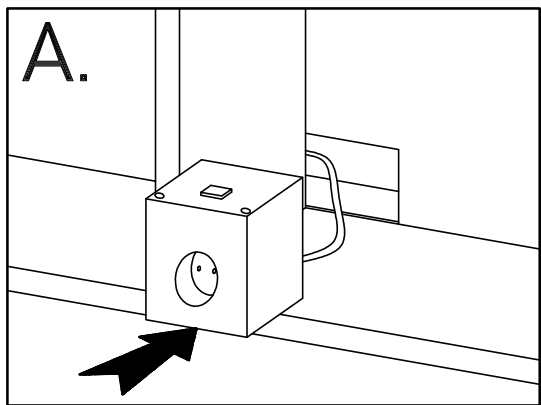


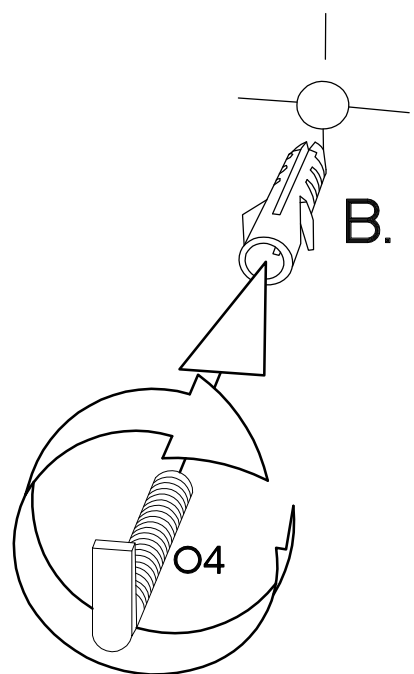
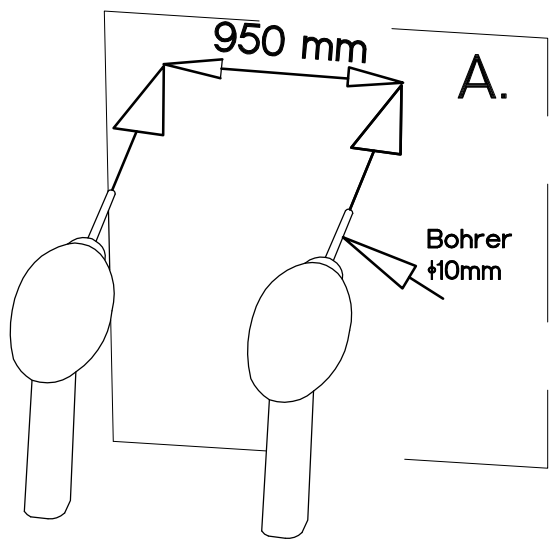
5



6







6,5/68mm	10x50mm
O4	O7
2	2

