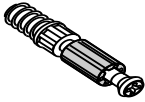
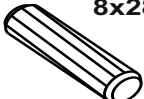





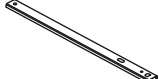



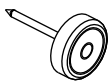


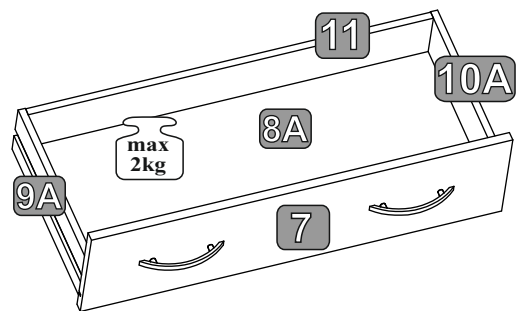
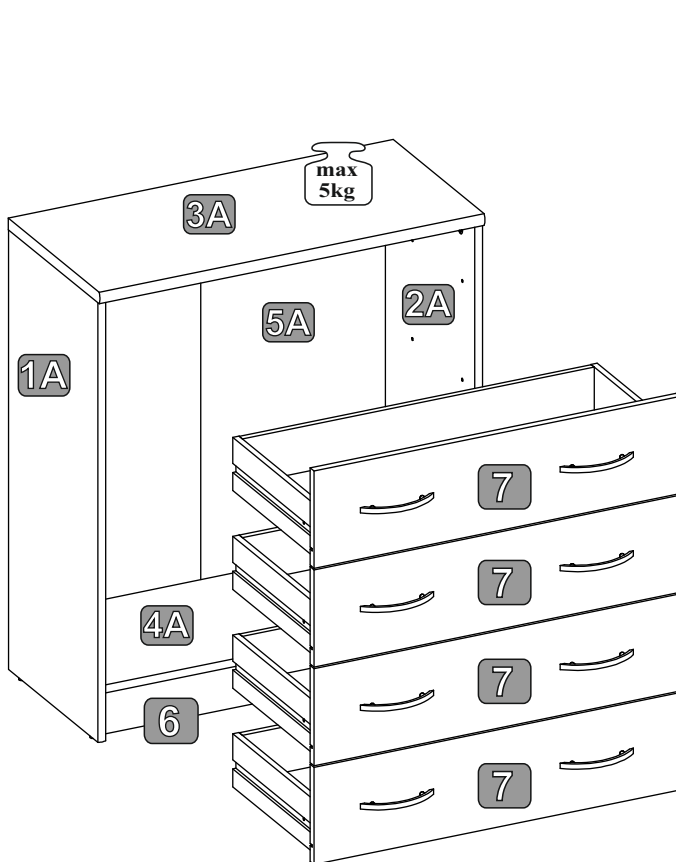
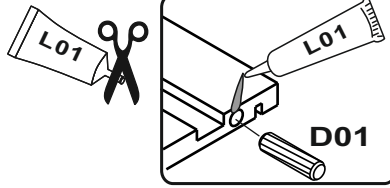
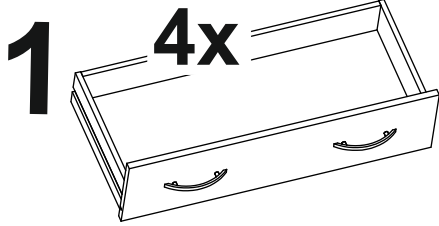
 8x T02	 8x T01	 44x D01	 1x F01	 1x F11	 24x R01
 8x U01	 16x W01	 8x P03	 16x W10	 2x L01	
 8x X02	 5x S01	 1 x P01	 2x W07		

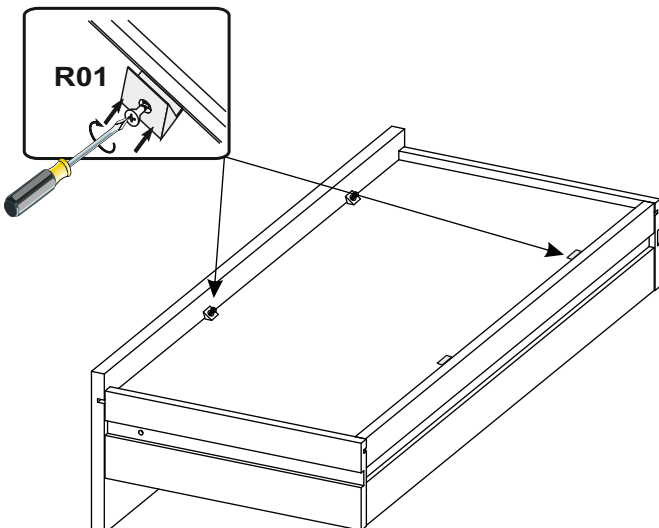
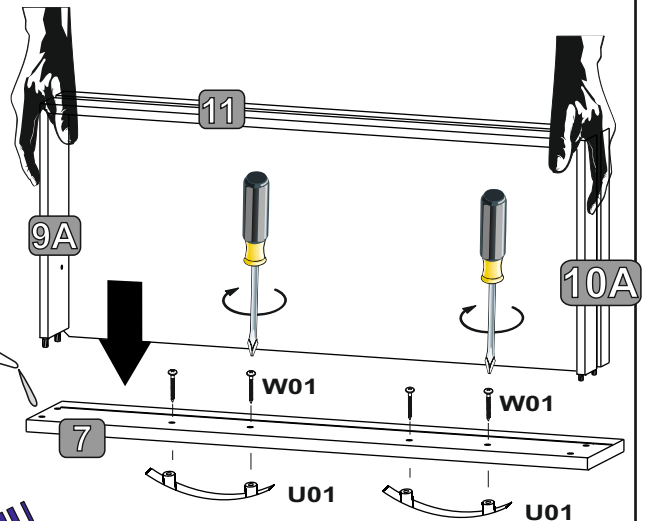
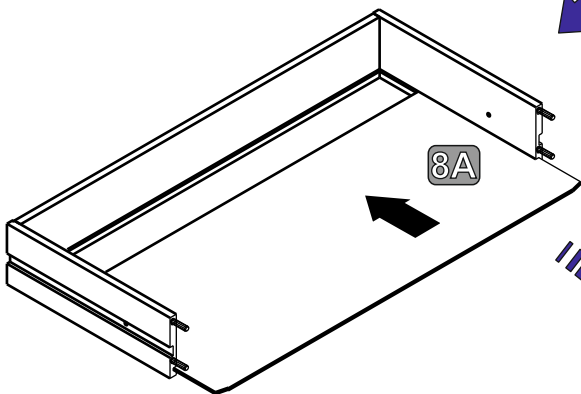
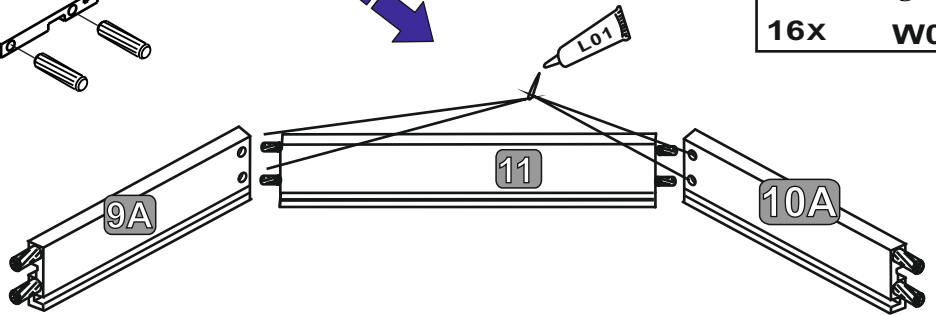
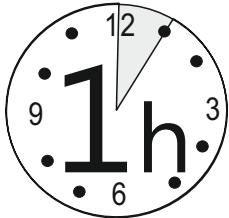
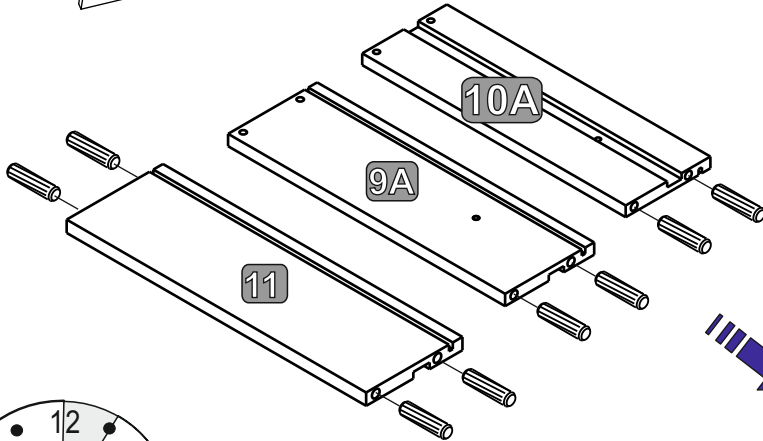


NR	DIM	QTE	COLLI
1A	828x345x15	1	1/1
2A	828x345x15	1	1/1
3A	740x352x22	1	1/1
4A	709x323x15	1	1/1
5A	752x728x2	1	1/1
6	709x80x15	1	1/1
7	703x183x15	4	1/1
8A	687x290x2	4	1/1
9A	290x100x12	4	1/1
10A	290x100x12	4	1/1
11	676x100x12	4	1/1

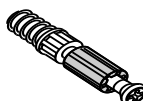

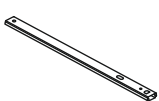
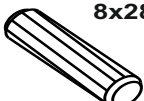



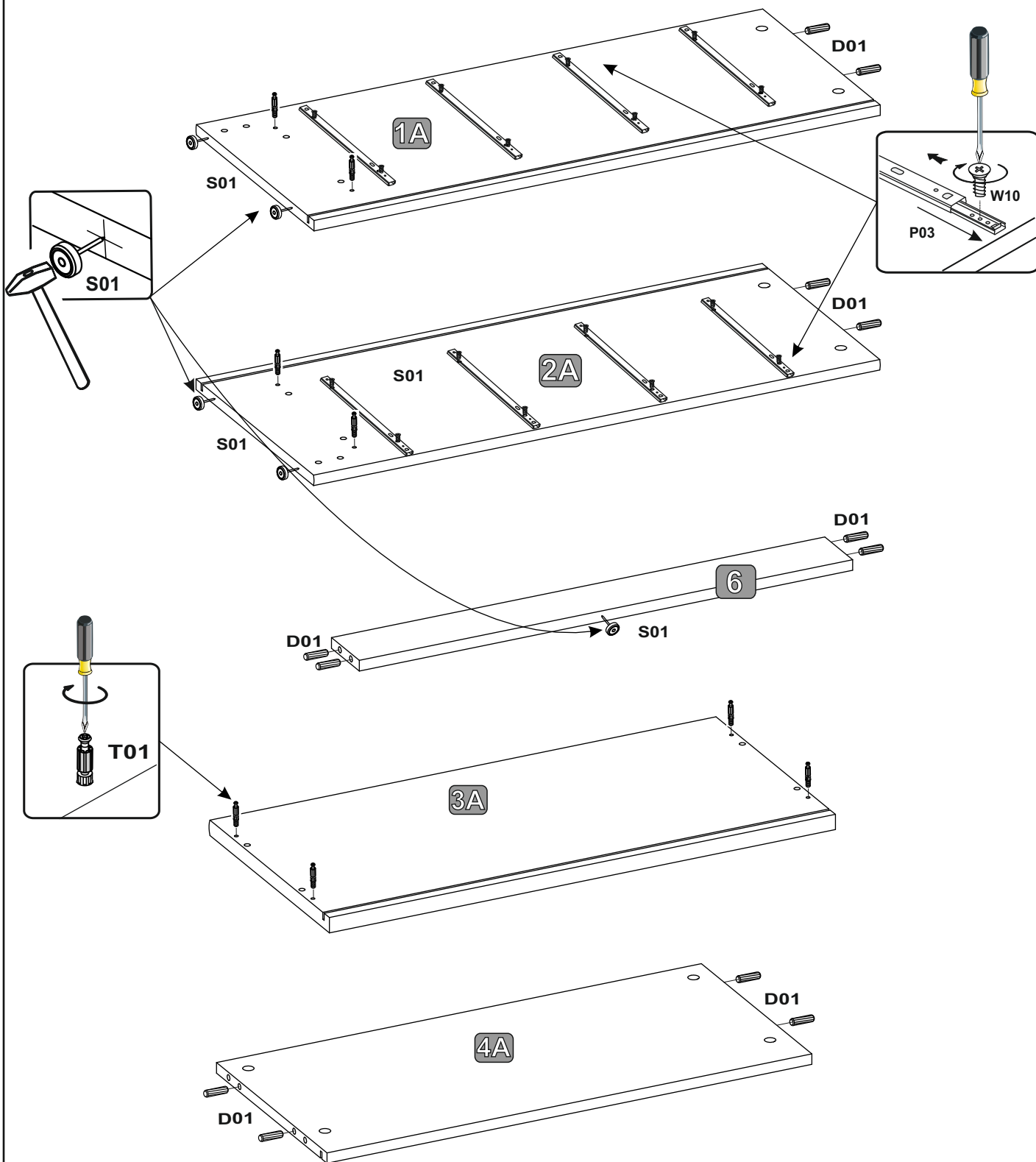


 16x R01	 2x L01
 32x D01	
 8x U01	
 4x25 16x W01	

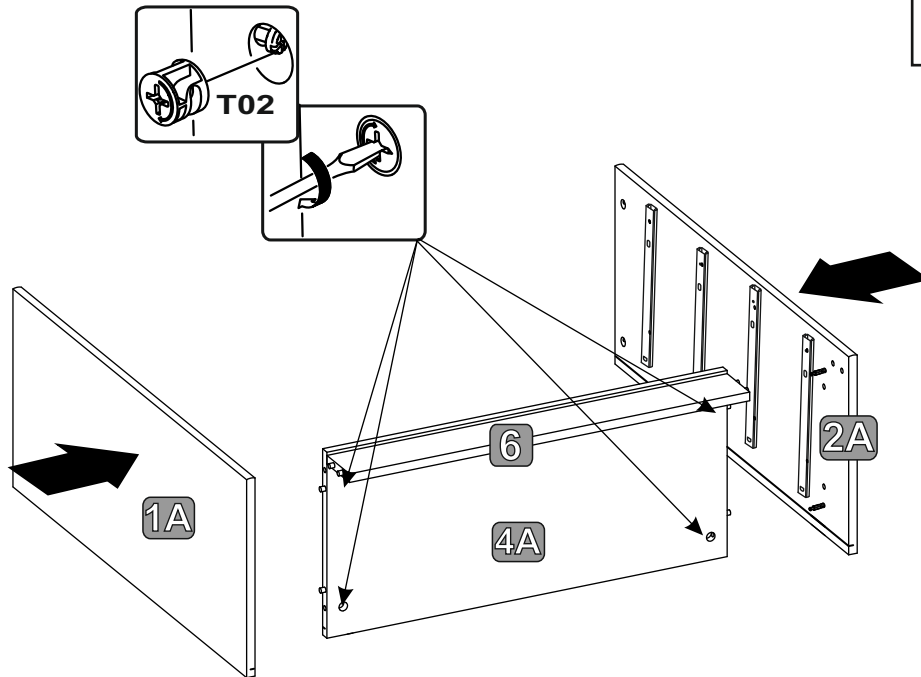


2

 8x T01	 6x8 W10	 8x P03	 8x28 D01	 4x S01
---	--	---	--	---

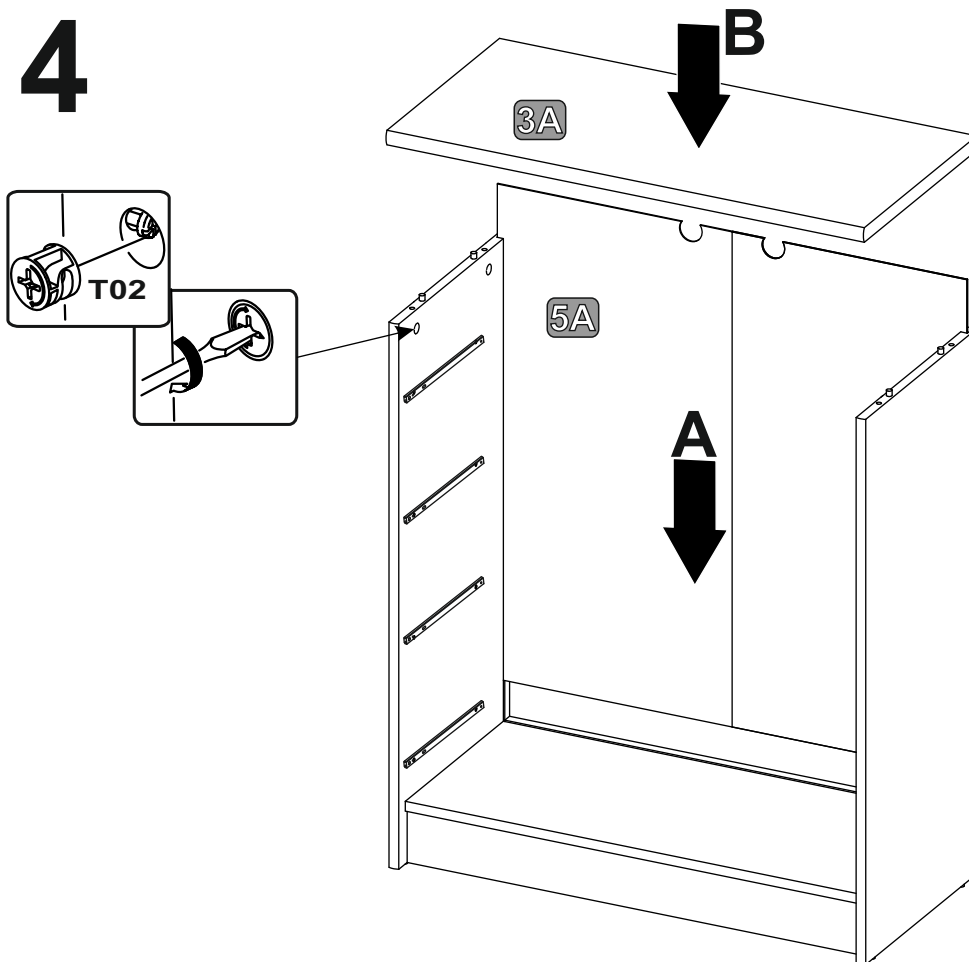


3



4x T02

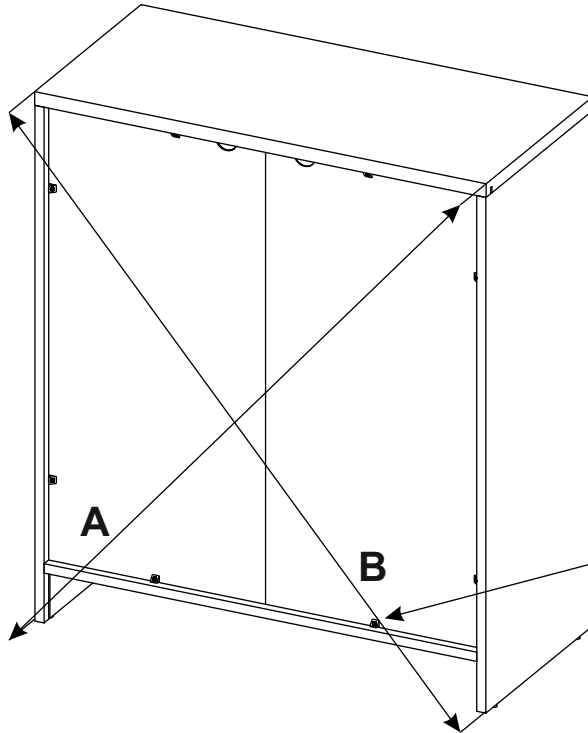
4



4x T02

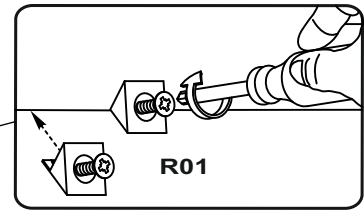
5

A=B

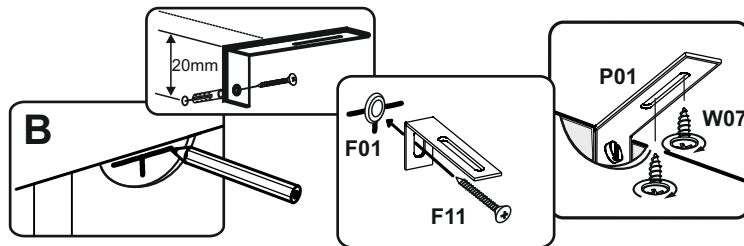


8x

R01



6



1x

F01

1x

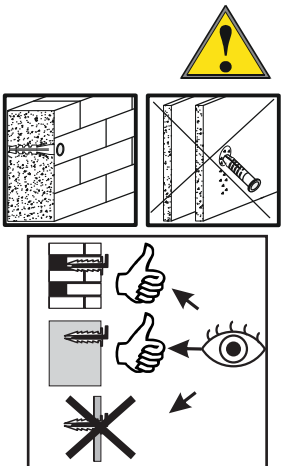
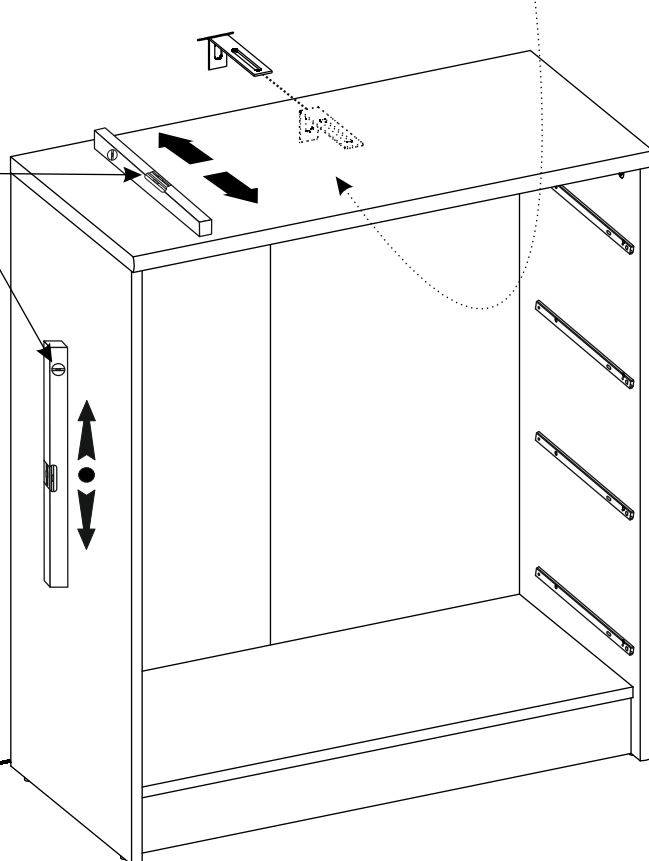
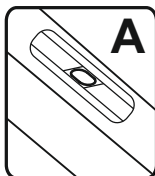
F11

1x

P01

2x

W07



7

