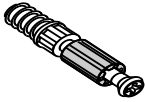
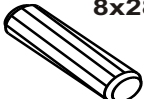





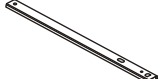



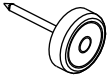
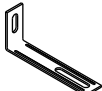

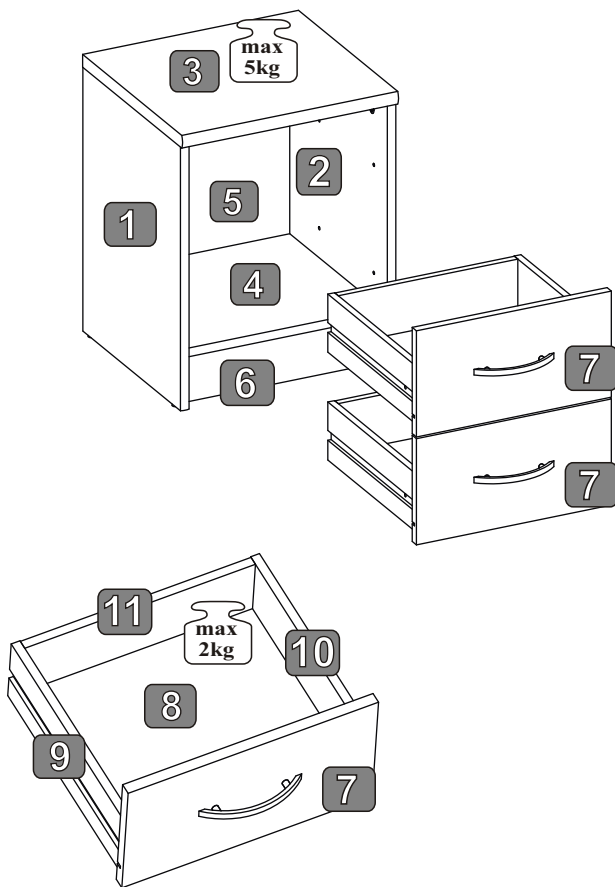
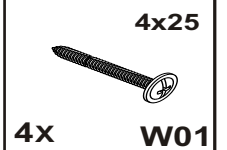
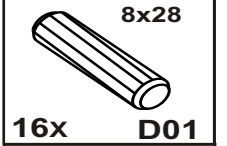
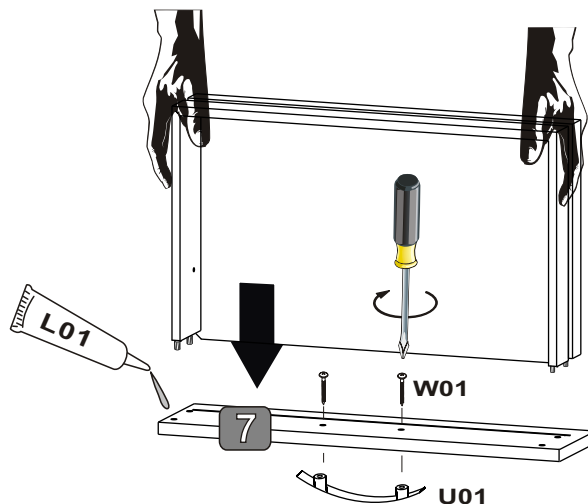
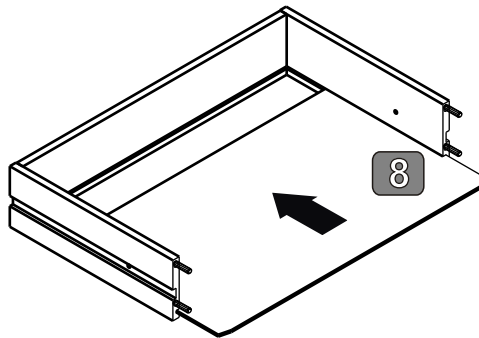
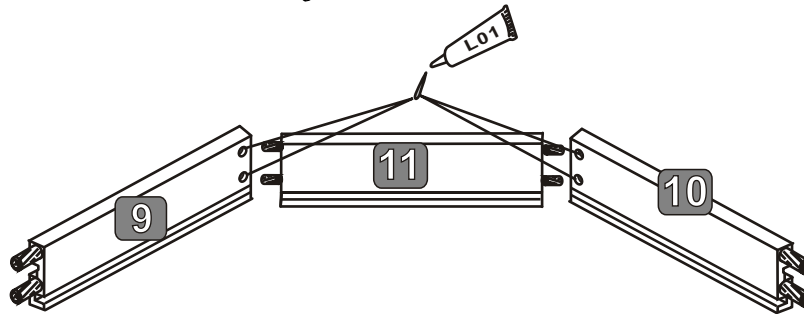
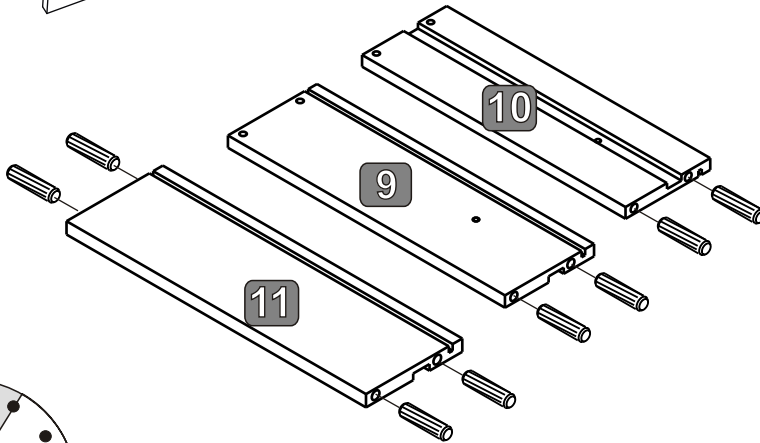
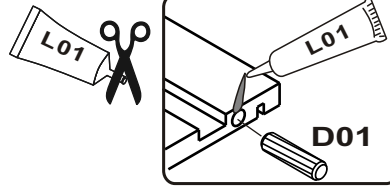
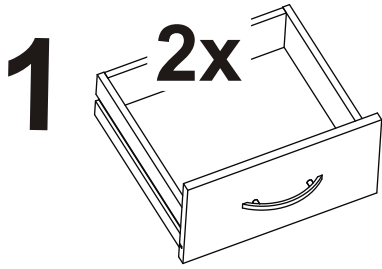
 8x T02	 8x T01	 8x28 D01	 1x F01	 1x F11	 4x X02
 2x U01	 4x W01	 4x P03	 8x W10	 1x L01	 16x G01
 4x S01	 1x P01	 2x W07			

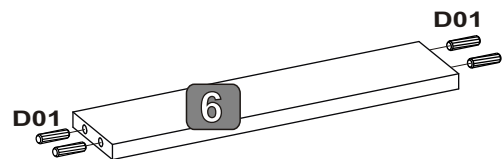
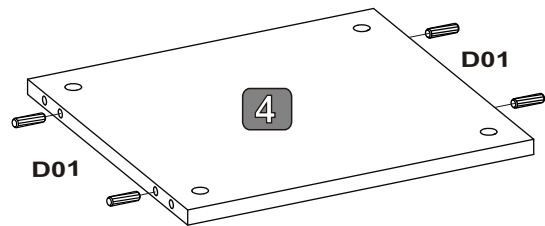
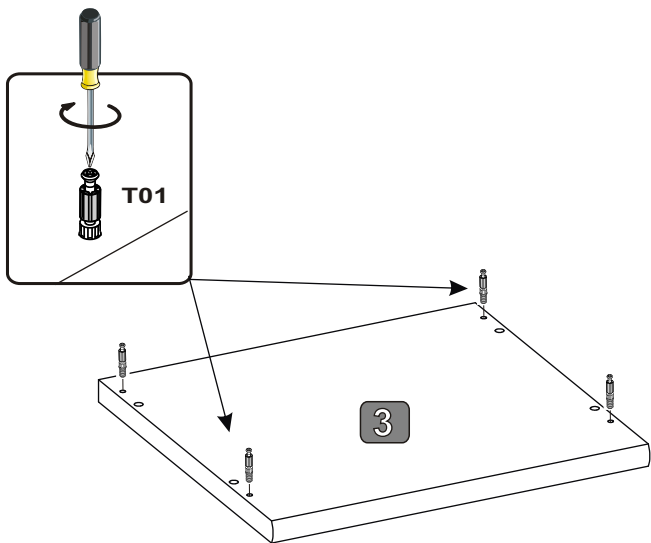
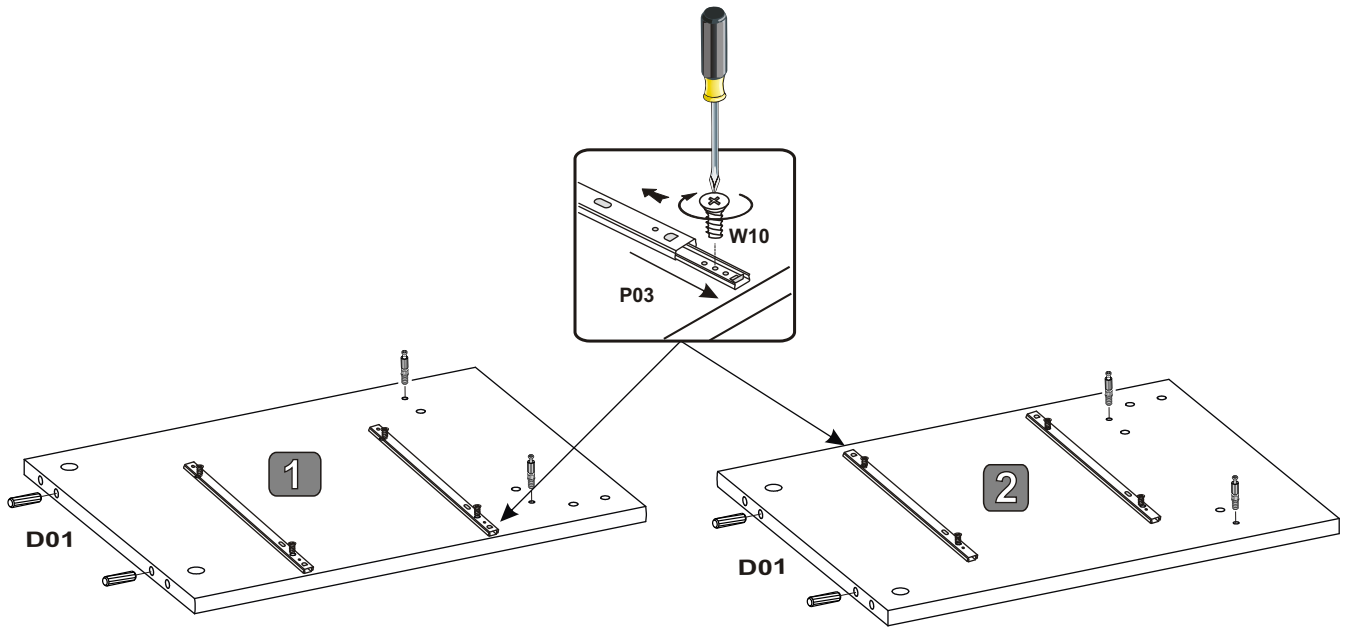
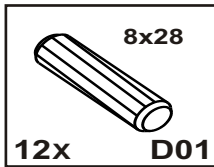
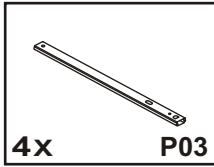
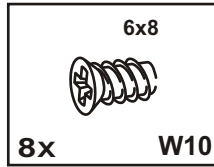
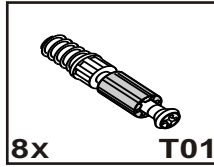


NR	DIM	QTE	COLLI
1	455x345x15	1	1/1
2	455x345x15	1	1/1
3	379x352x22	1	1/1
4	323x348x15	1	1/1
5	392x375x2	1	1/1
6	348x80x15	1	1/1
7	342x183x15	2	1/1
8	300x326x2	2	1/1
9	300x100x12	2	1/1
10	300x100x12	2	1/1
11	315x100x12	2	1/1

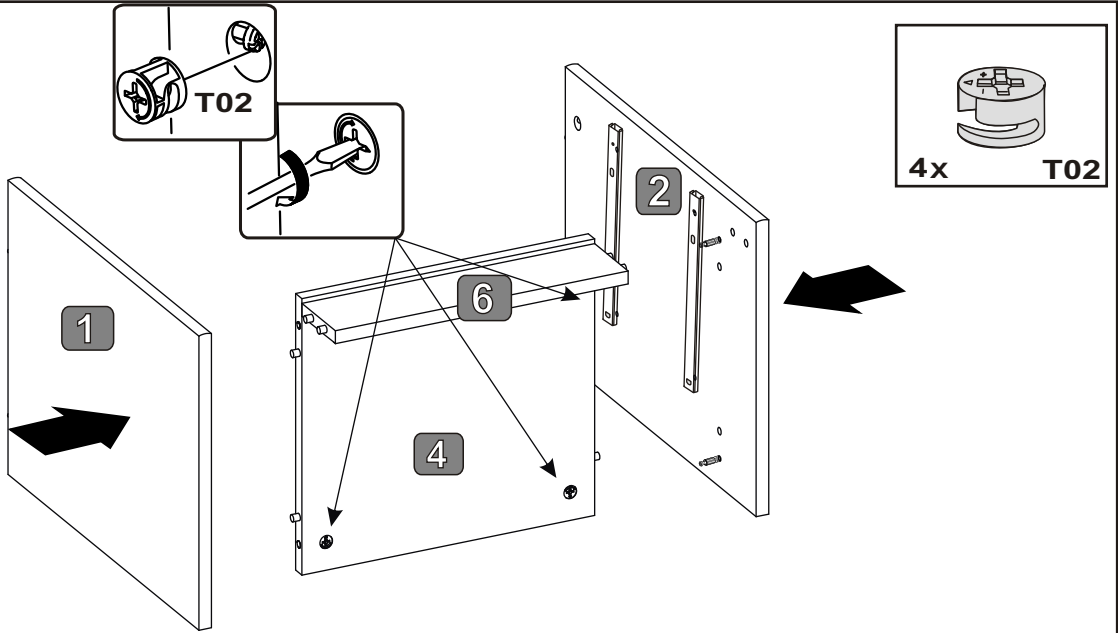




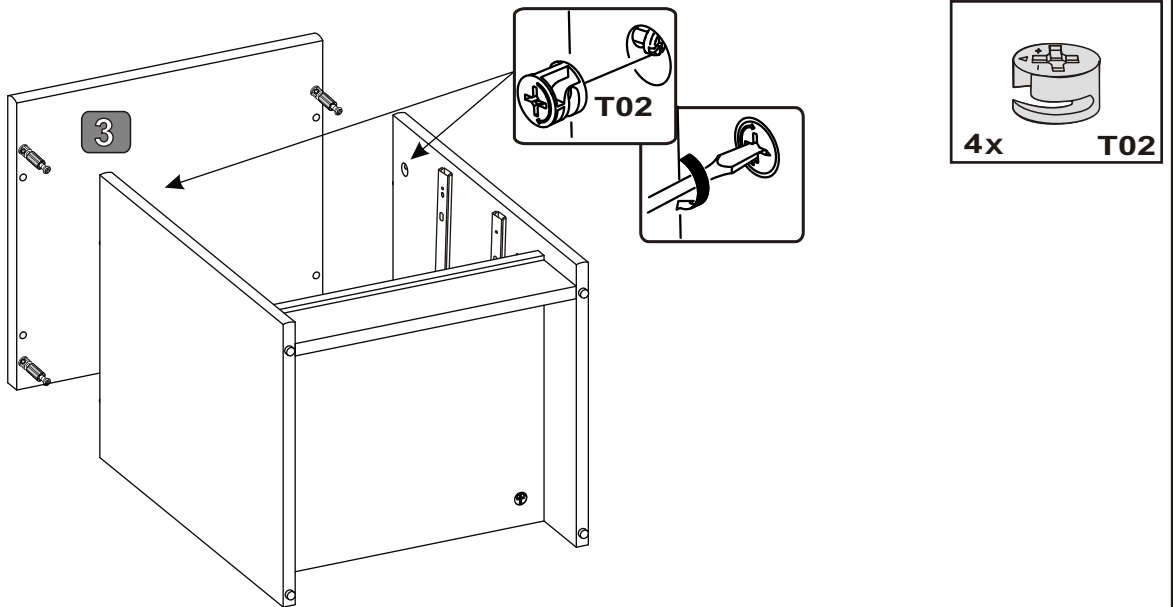
2



3

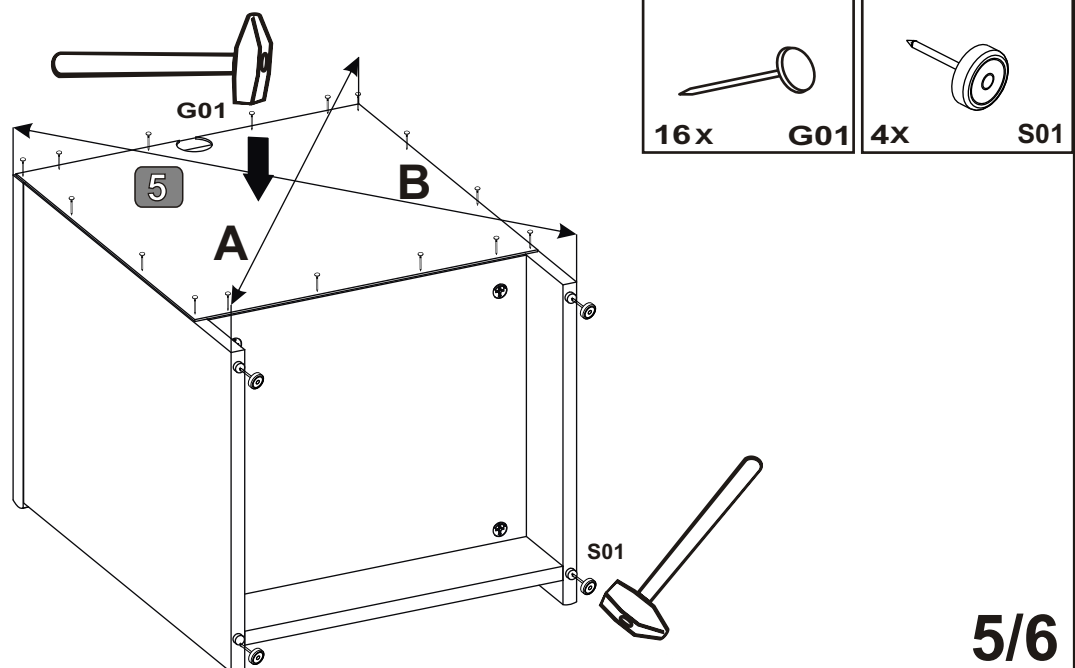


4

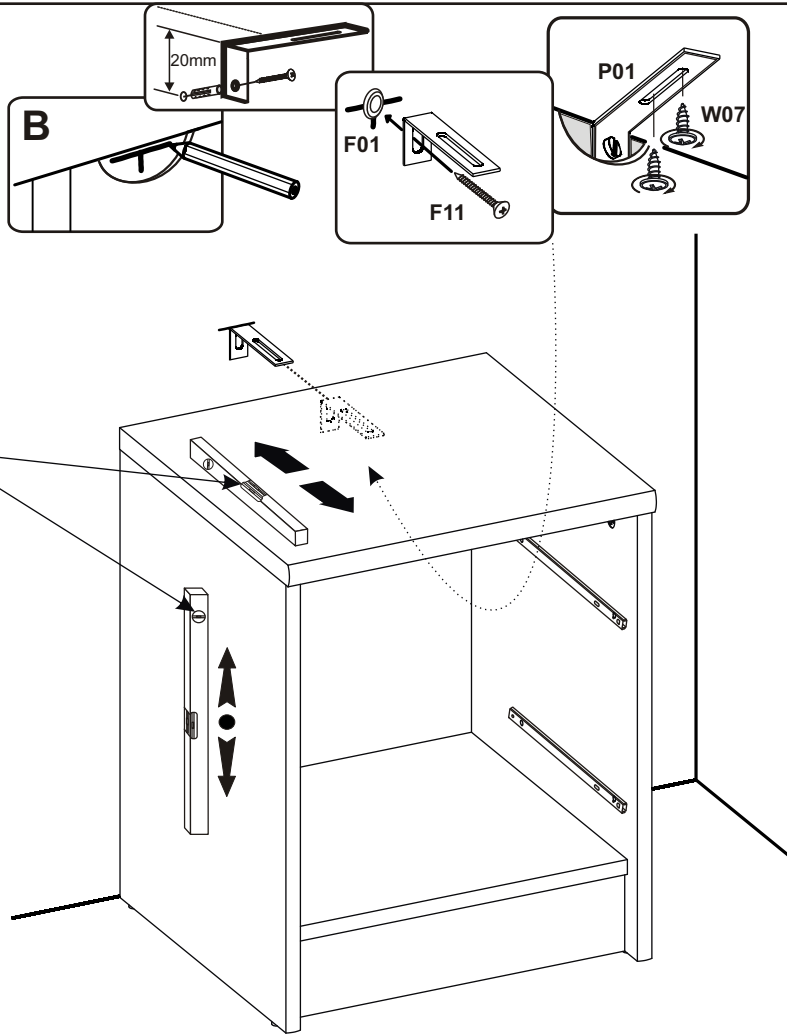


5

A=B

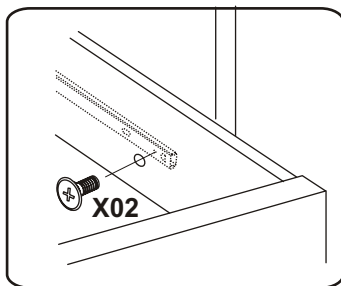


6



- 1x F01
- 1x F11
- 1x P01
- 2x W07

7



- 4x10
- 4x X02

