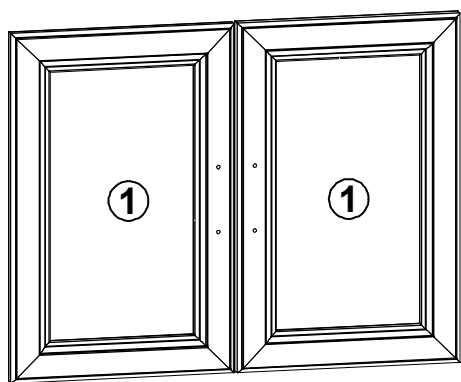
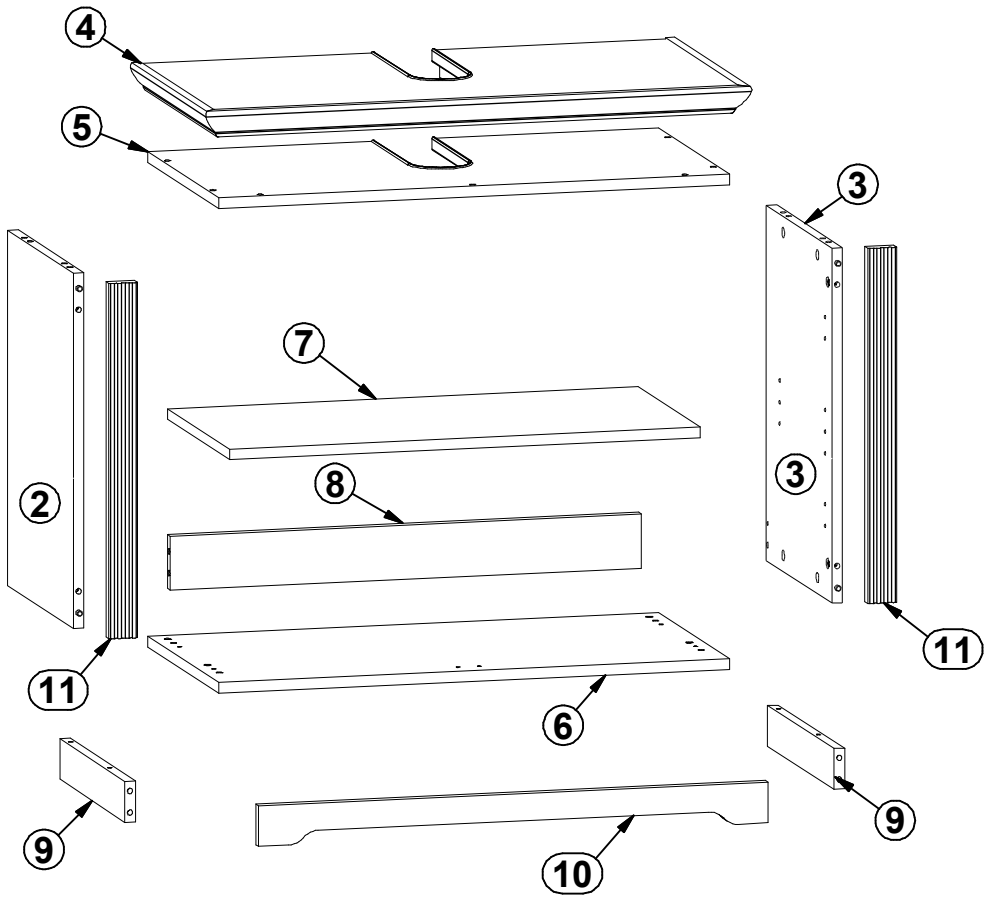
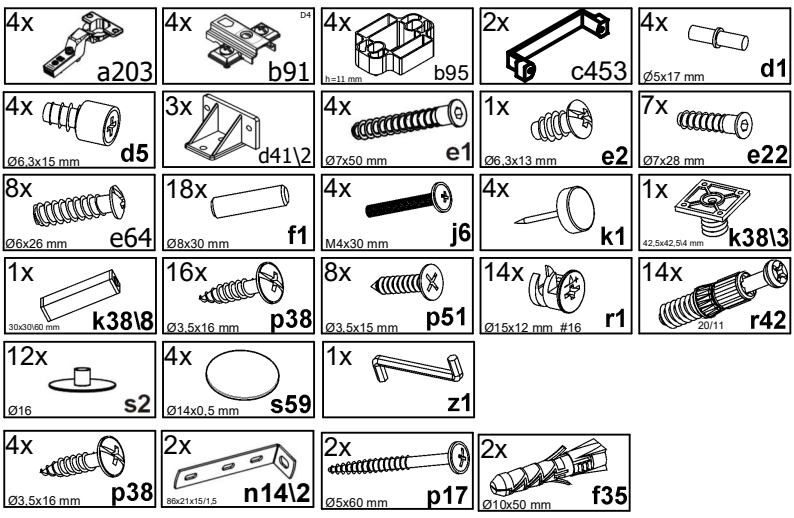
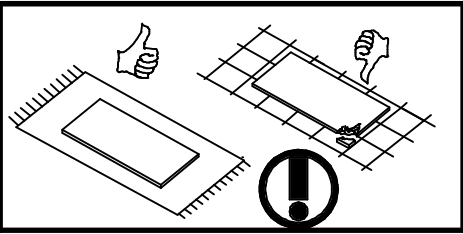


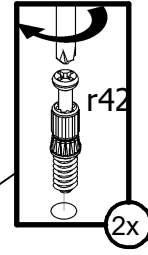
A	B	C1	C2	C3	D
1	S526-0002	517	336	22	1/1
2	S526-1007	525	370	16	1/1
3	S526-1008	525	370	16	1/1
4	S526-2007	823	426	43	1/1
5	S526-2008	770	400	20	1/1
6	S526-2009	770	400	16	1/1
7	S526-3004	709	350	16	1/1
8	S526-4002	710	80	16	1/1
9	S526-4101	373	60	16	1/1
10	S526-4152	768	60	16	1/1
11	S526-5004	525	43	19	1/1



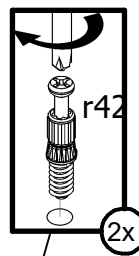
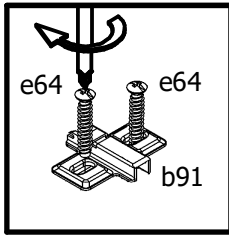
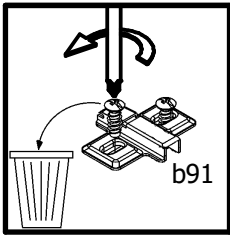


2x

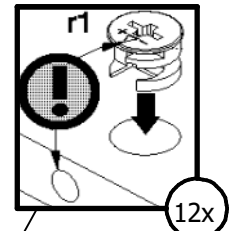
11



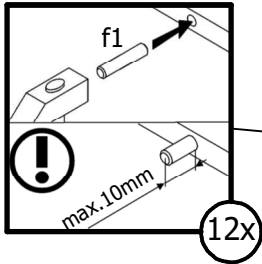
2x



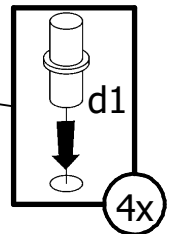
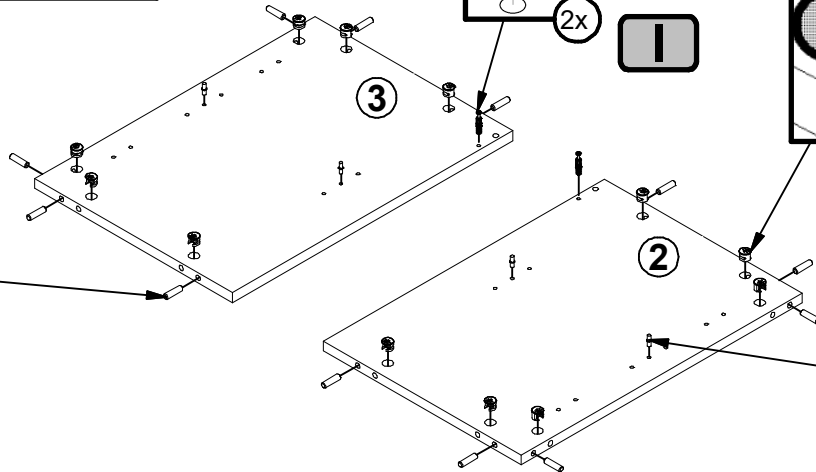
2x



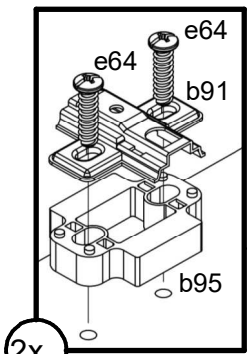
12x



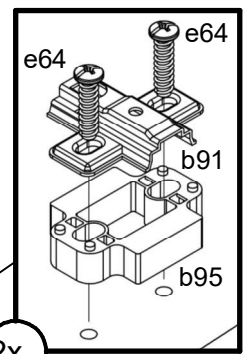
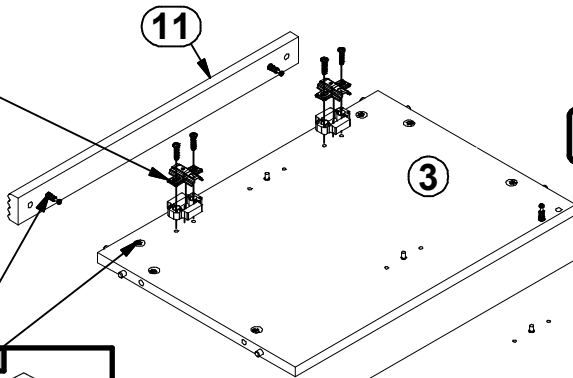
12x



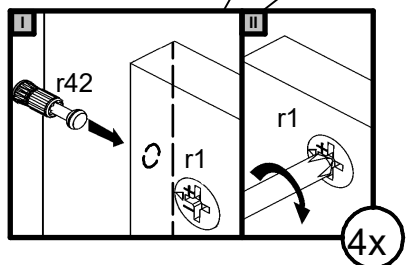
4x



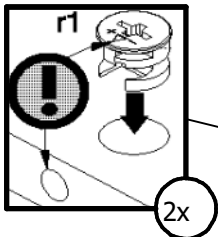
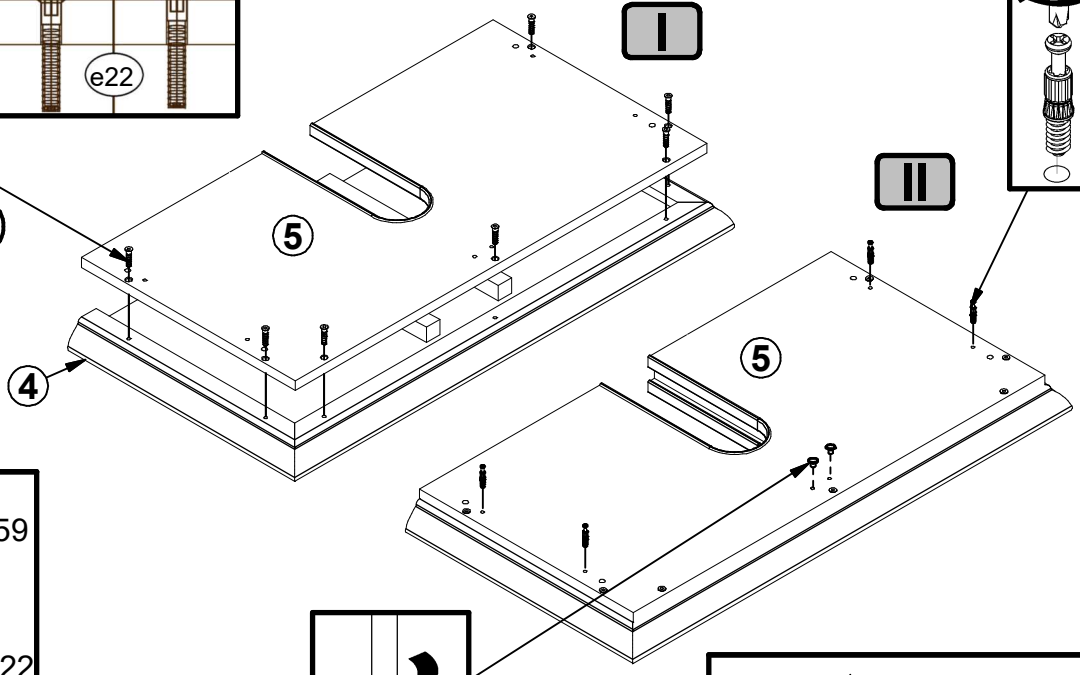
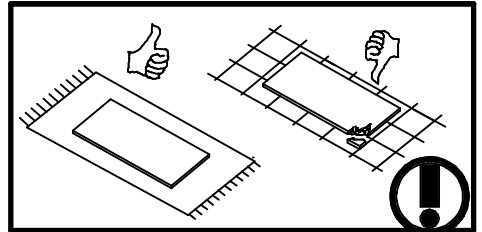
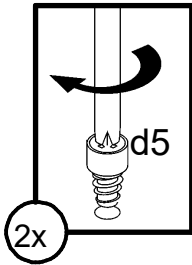
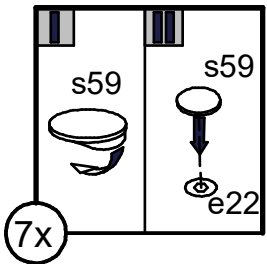
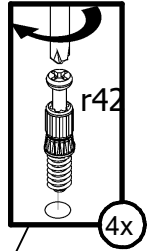
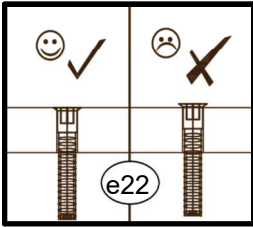
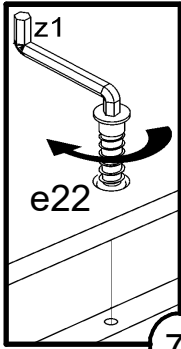
2x



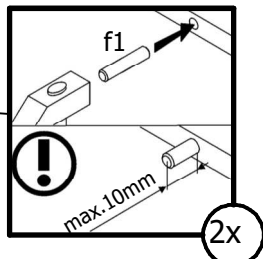
2x



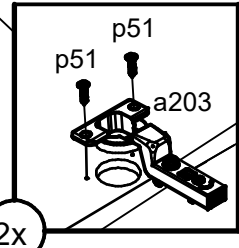
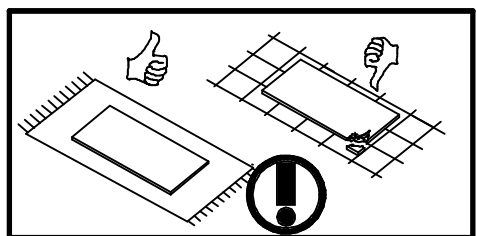
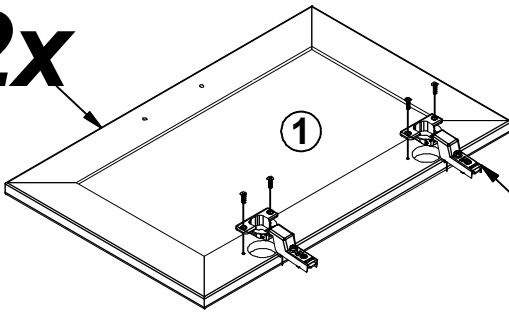
4x



8



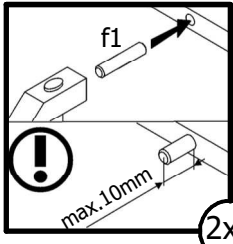
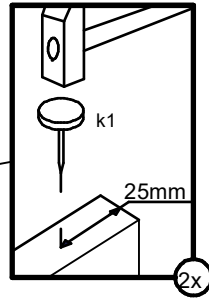
2x



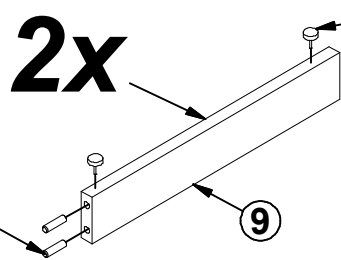
2



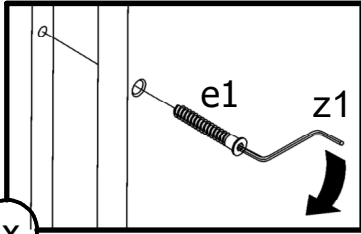
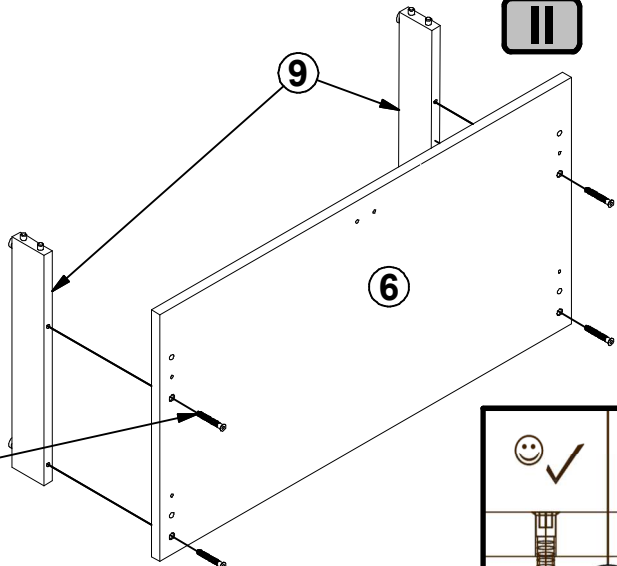
I



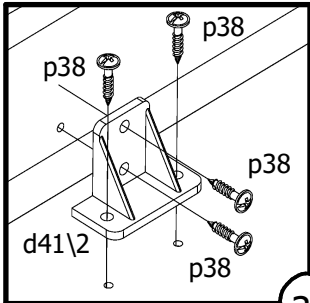
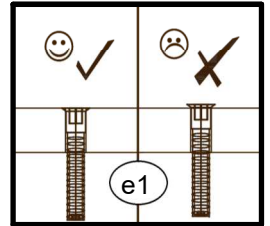
2x



II

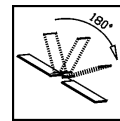
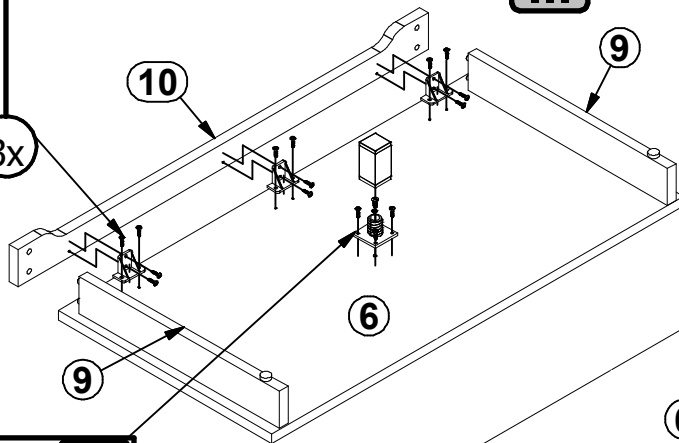


4x

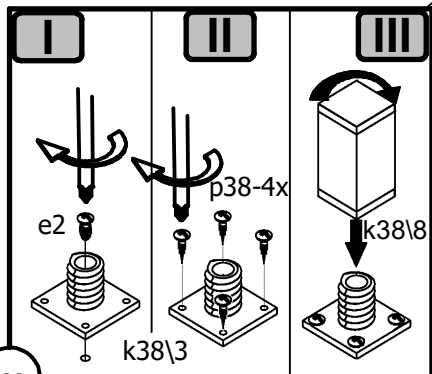
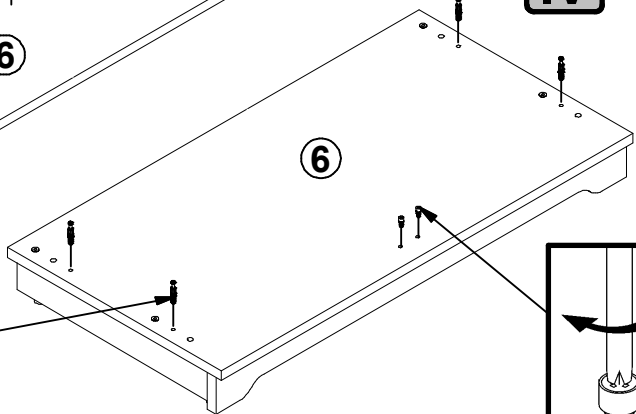


3x

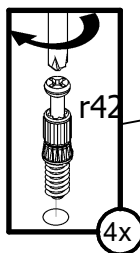
III



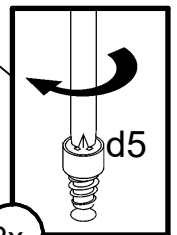
IV



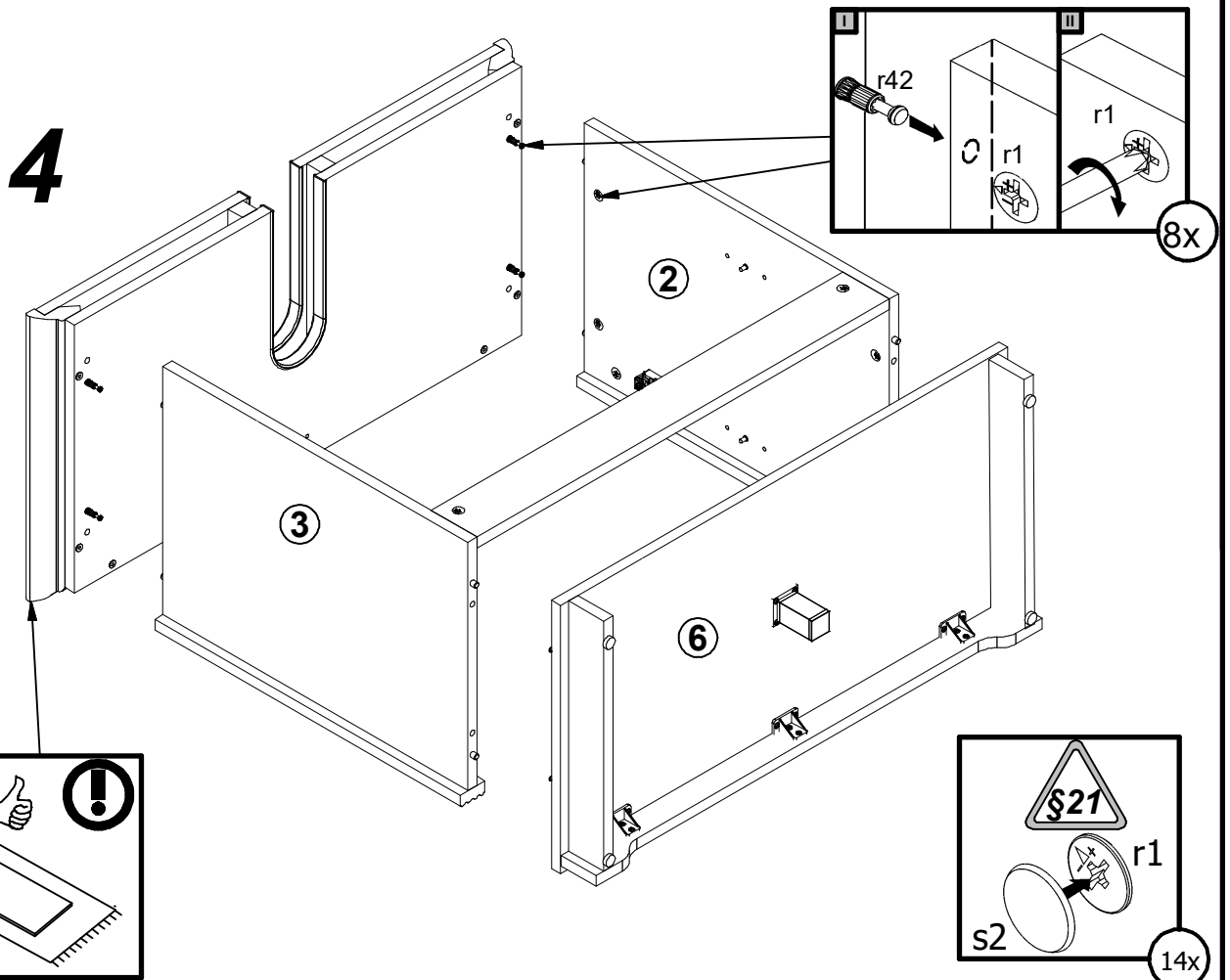
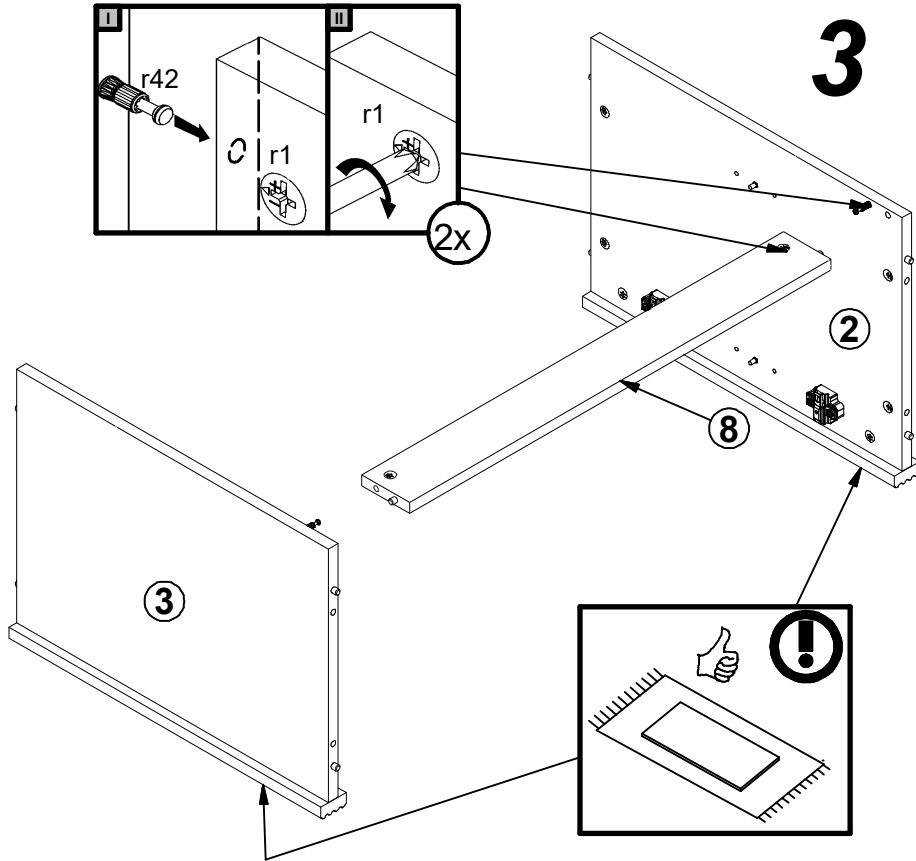
1x

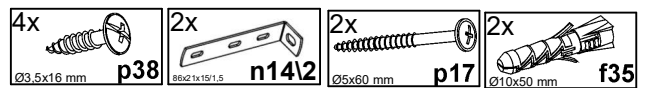
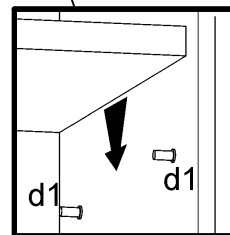
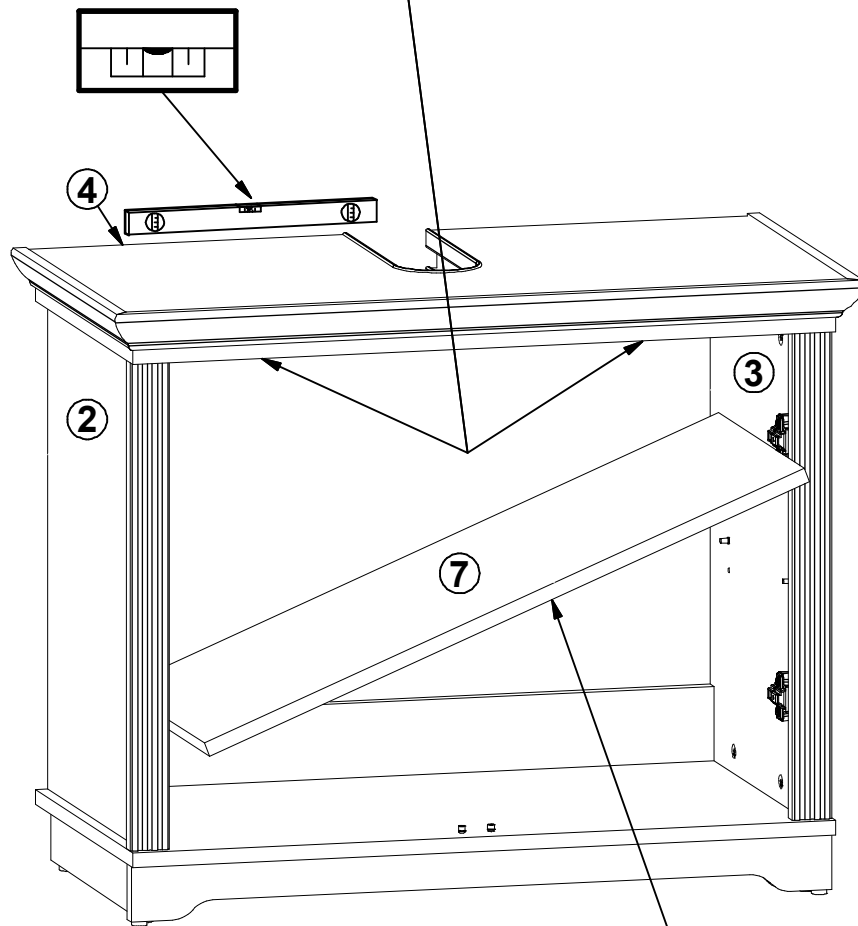
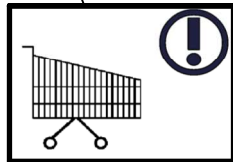
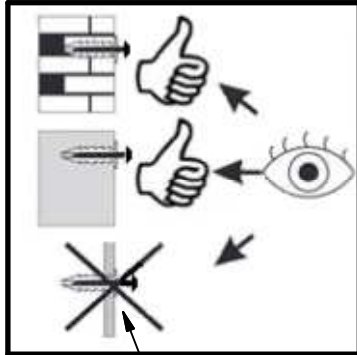
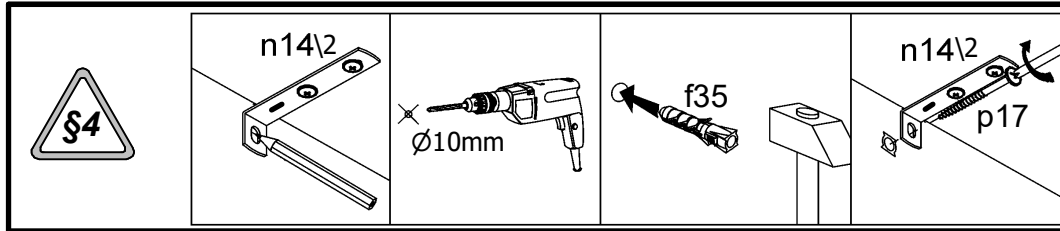


4x



2x





6

