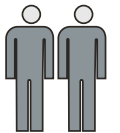
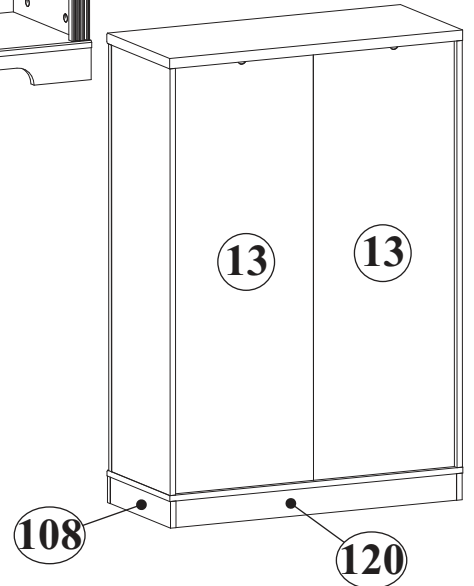
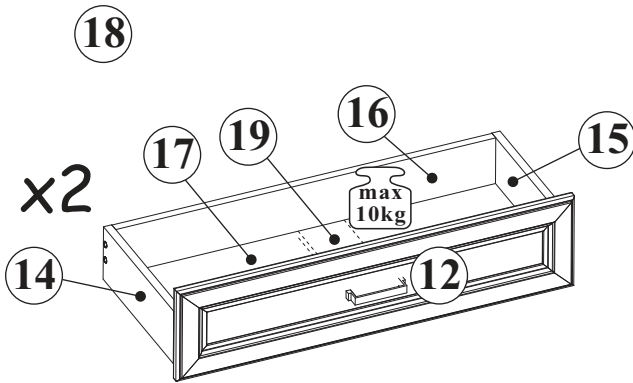
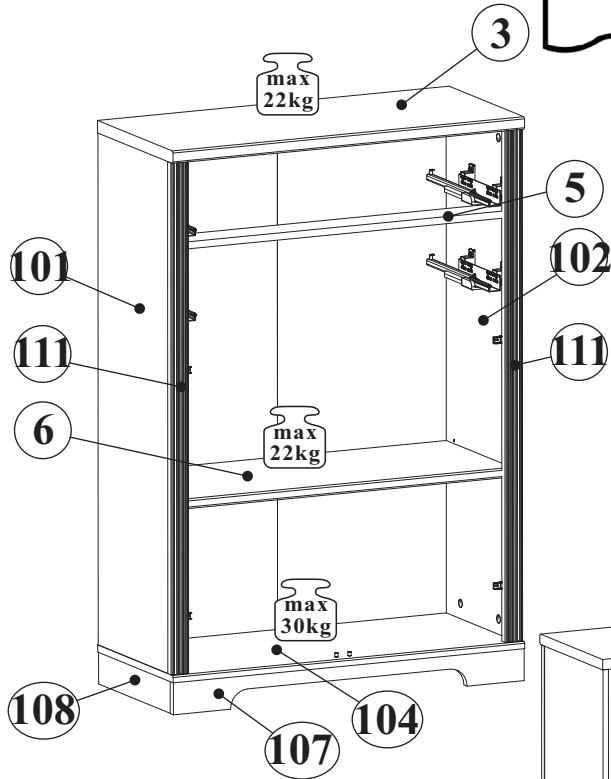
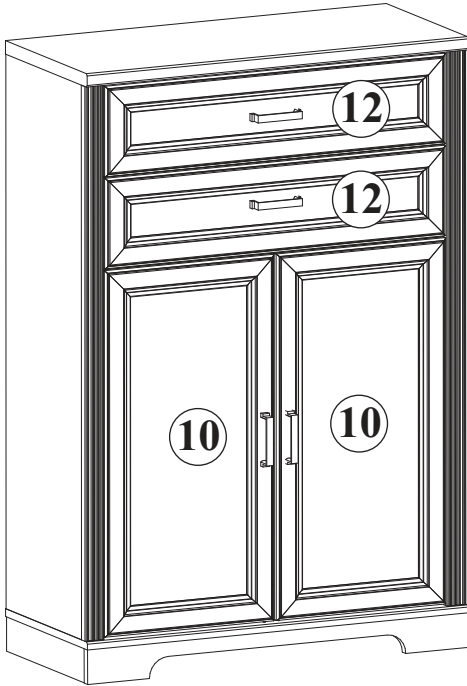
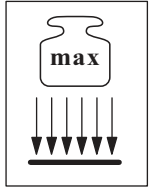
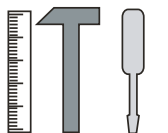


JASMIN 5K 21--12



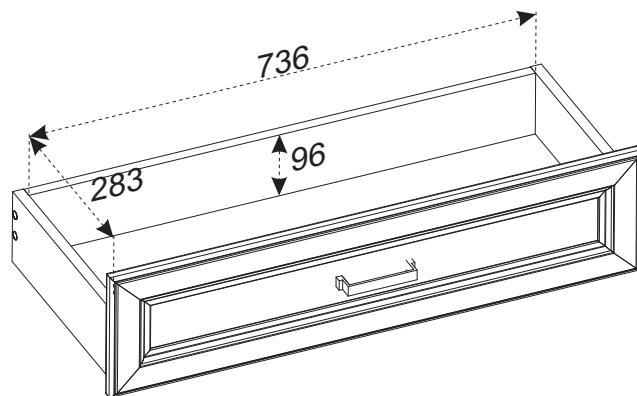
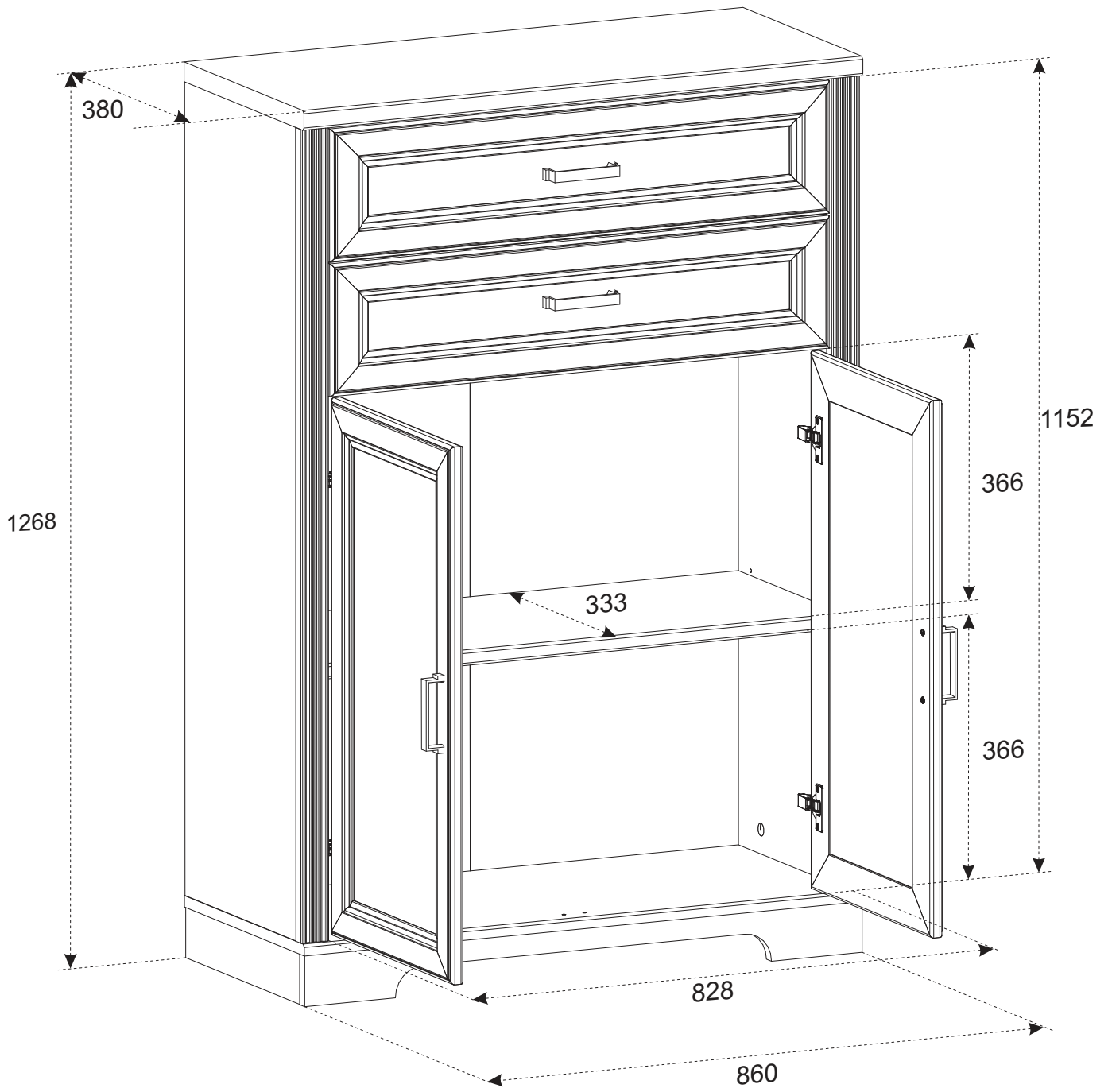
180 min

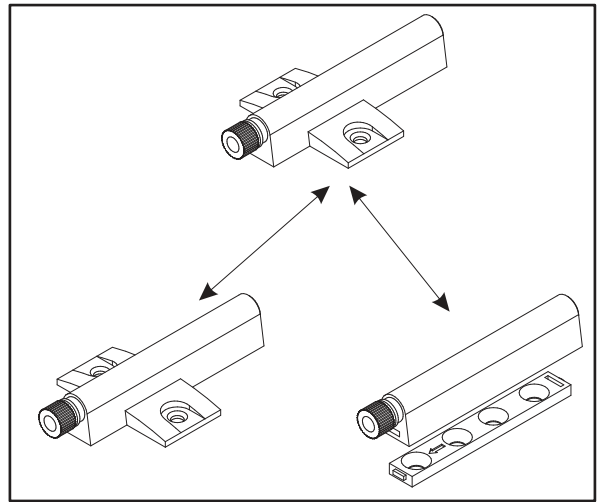
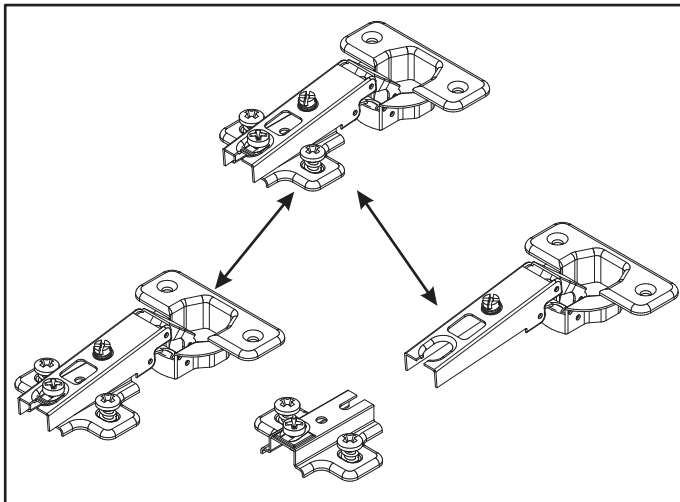
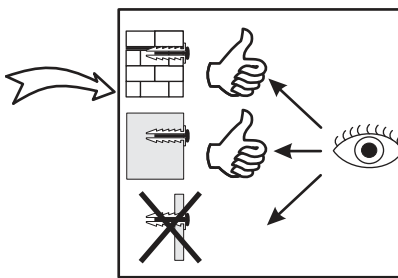
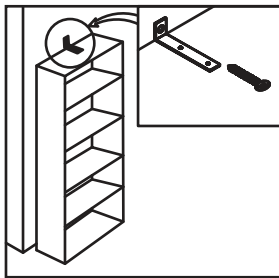
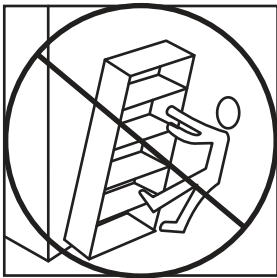
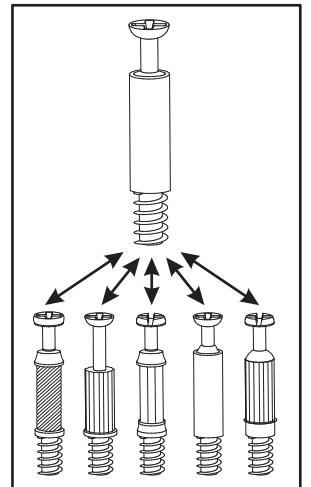
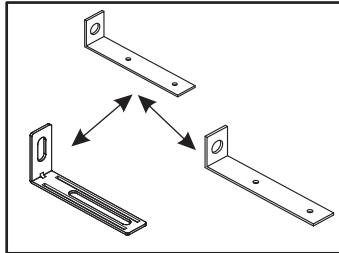
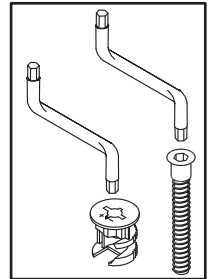
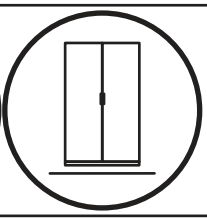
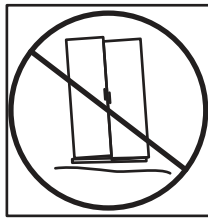
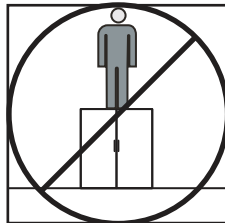
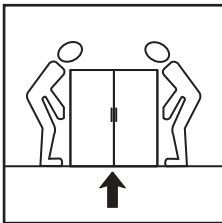
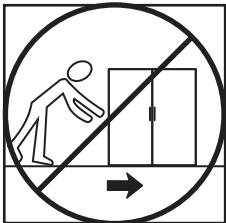
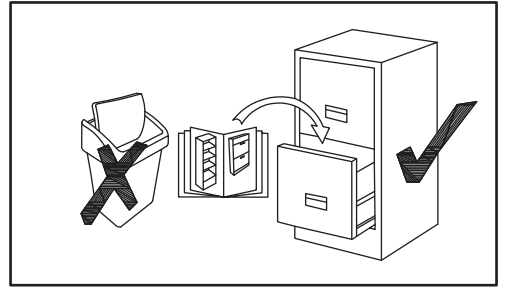
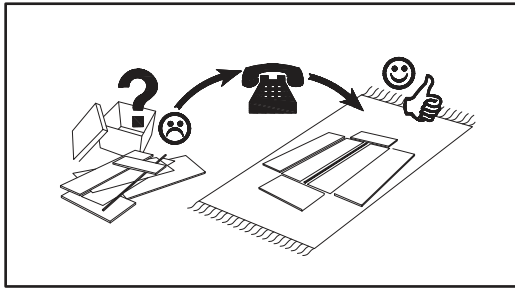
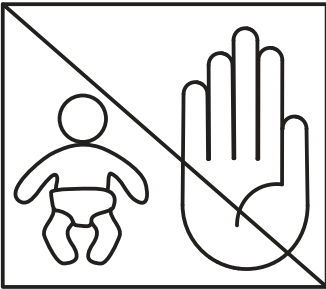
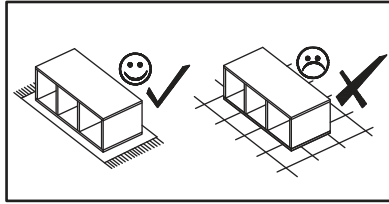
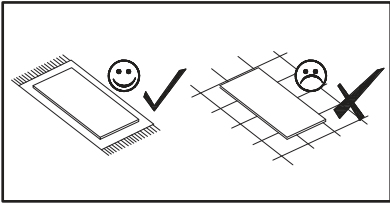


| NO | Dim. | | | Col.-No | Qty |
|-----|------|-----|----|---------|-----|
| 101 | 1152 | 353 | 16 | 1 | 1 |
| 102 | 1152 | 353 | 16 | 1 | 1 |
| 104 | 862 | 380 | 16 | 2 | 1 |
| 3 | 862 | 380 | 28 | 2 | 1 |
| 5 | 828 | 80 | 16 | 1 | 1 |
| 6 | 828 | 333 | 22 | 1 | 1 |
| 111 | 1152 | 43 | 19 | 1 | 2 |
| 107 | 860 | 72 | 16 | 1 | 1 |
| 120 | 826 | 72 | 16 | 1 | 1 |
| 108 | 363 | 72 | 16 | 1 | 2 |

| NO | Dim. | | | Col.-No | Qty |
|----|------|-----|----|---------|-----|
| 10 | 761 | 383 | 22 | 2 | 2 |
| 12 | 770 | 188 | 22 | 2 | 2 |
| 14 | 300 | 110 | 16 | 1 | 2 |
| 15 | 300 | 110 | 16 | 1 | 2 |
| 16 | 736 | 96 | 16 | 1 | 2 |
| 19 | 299 | 80 | 16 | 1 | 2 |
| 17 | 304 | 748 | 3 | 1 | 2 |
| 13 | 1164 | 420 | 3 | 1 | 2 |

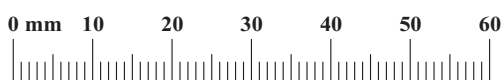
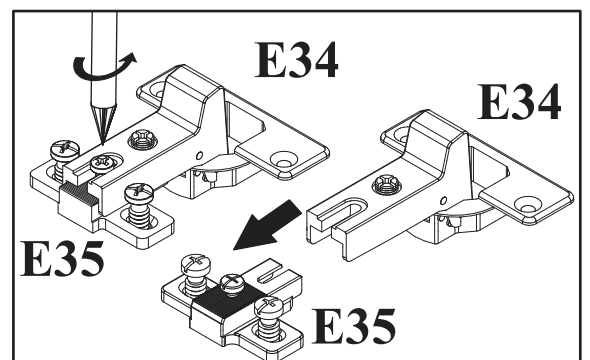
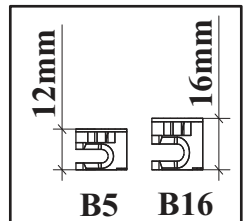
JASMIN 5K 21 -- 12



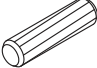


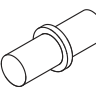
JASMIN 5K 21 -- 12


| | | | | | |
|-------------------------|-------------------------|-----------------------|----------------------|--------------------|--------------------|
| A1 x26 ø8x36 | B4 x20 | B5 x20 ø15x12 | G5 x20 | B11 x8 Ø7x50 | G4 x8 |
| H1 x8 | E34 x4 Ø35 | E35 x4 H=0 | G7 x4 | G20 x2 | S1 x16 |
| KM5 x11 35x27 | D10 x10 USØ3,5x13 | UP13 x8 UPØ3x16 | UP6 x4 UPØ4x30 | I2 x4 | QU x2 L-300 |
| D20 x8 ESØ6x9,5 | L1 x1 | KR1 x1 | C19 x4 | D28 x4 M4x28 | D16 x4 M4x14 |
| EK6 x38 EKØ6,3x13 | G2 x1 | | | | |

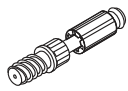


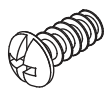
1

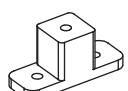
| | |
|----|---|
| A1 |  |
| x8 | ø8x36 |

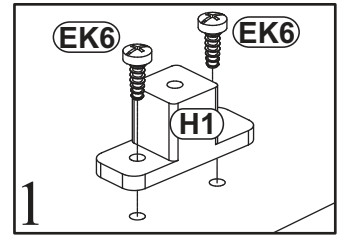
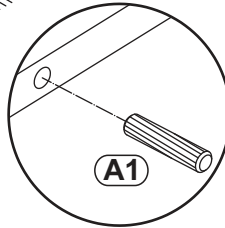
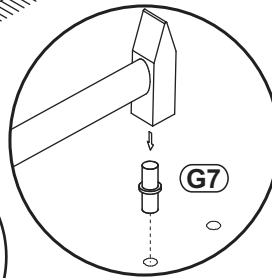
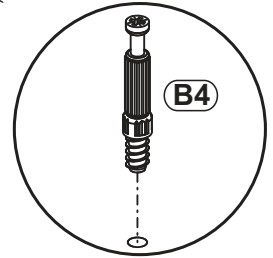
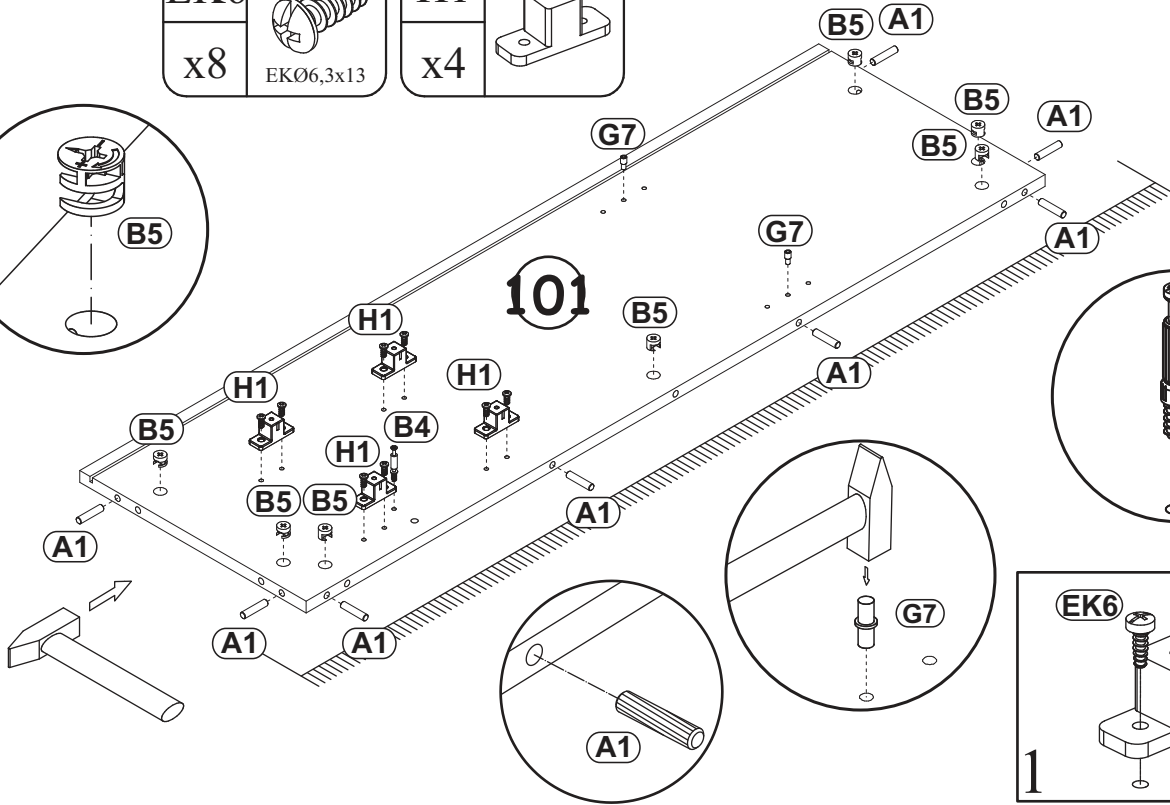
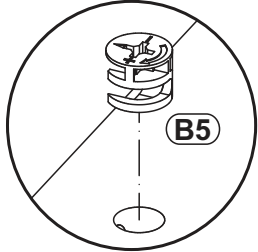
| | |
|----|--|
| G7 |  |
| x2 | |

| | |
|----|---|
| B5 |  |
| x7 | ø15x12 |

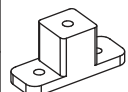
| | |
|----|---|
| B4 |  |
| x1 | |

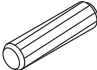
| | |
|-----|---|
| EK6 |  |
| x8 | EKØ6,3x13 |

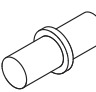
| | |
|----|---|
| H1 |  |
| x4 | |




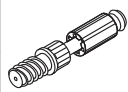
2

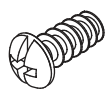
| | |
|----|---|
| H1 |  |
| x4 | |

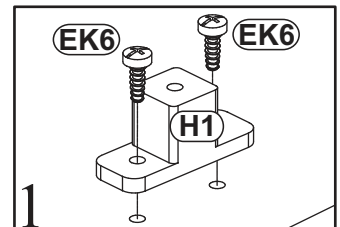
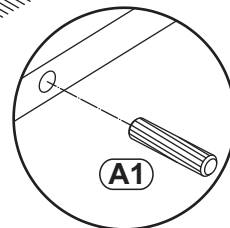
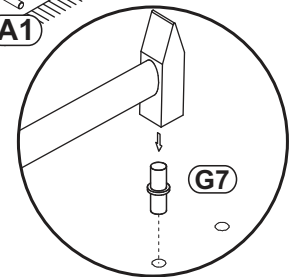
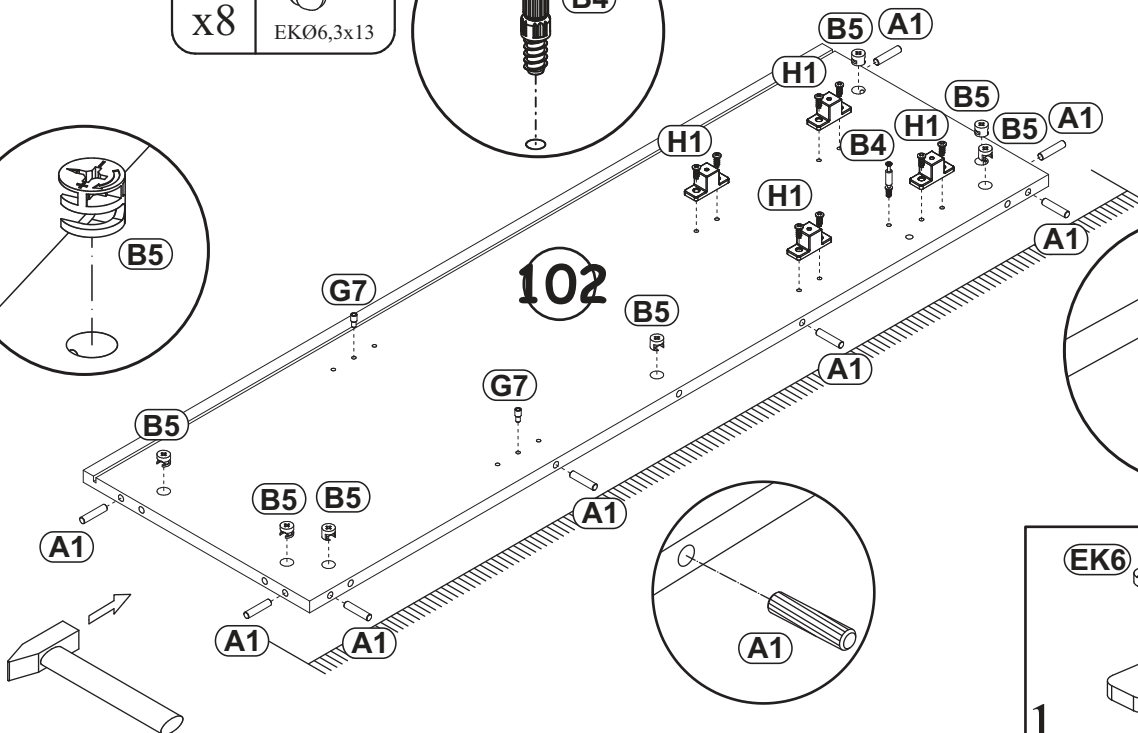
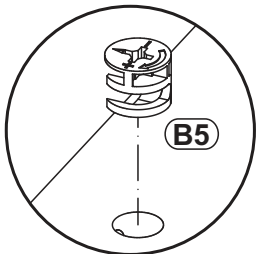
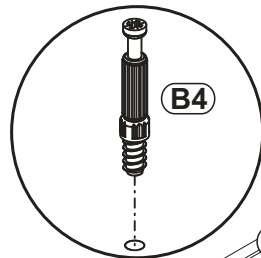
| | |
|----|---|
| A1 |  |
| x8 | ø8x36 |

| | |
|----|--|
| G7 |  |
| x2 | |

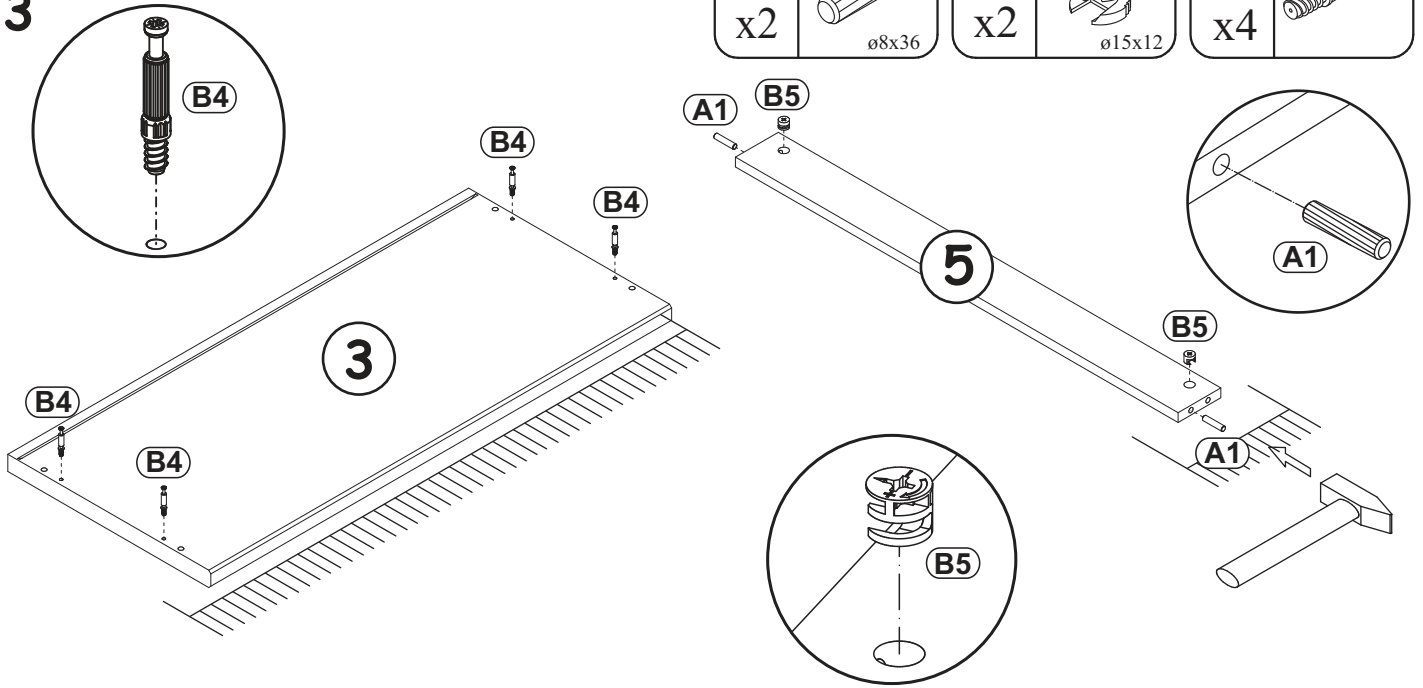
| | |
|----|---|
| B5 |  |
| x7 | ø15x12 |

| | |
|----|---|
| B4 |  |
| x1 | |

| | |
|-----|---|
| EK6 |  |
| x8 | EKØ6,3x13 |



3

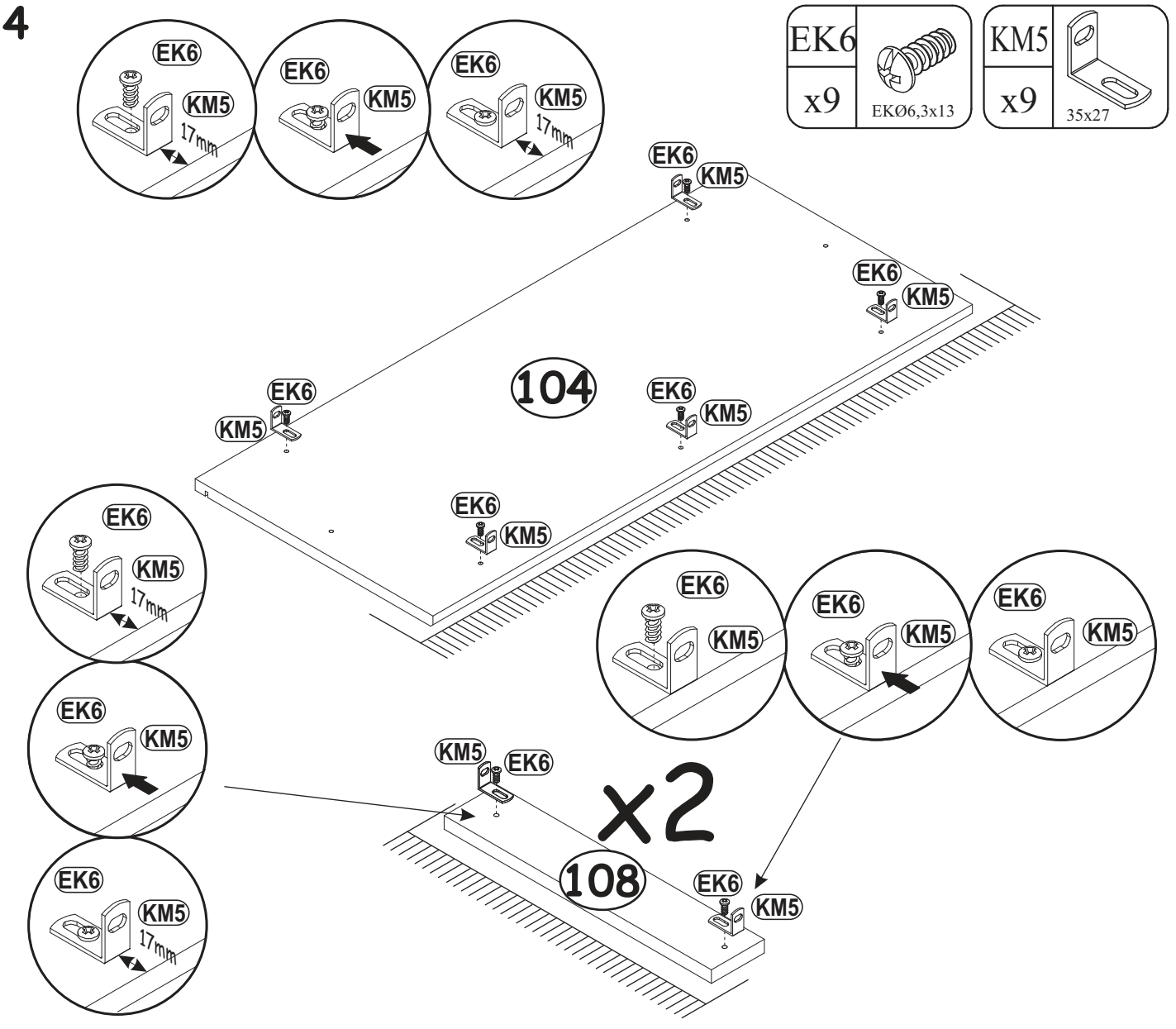


| | |
|----|-------|
| A1 | |
| x2 | ø8x36 |

| | |
|----|--------|
| B5 | |
| x2 | ø15x12 |

| | |
|----|--|
| B4 | |
| x4 | |

4

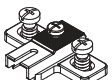
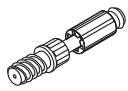


| | |
|-----|-----------|
| EK6 | |
| x9 | EKØ6,3x13 |

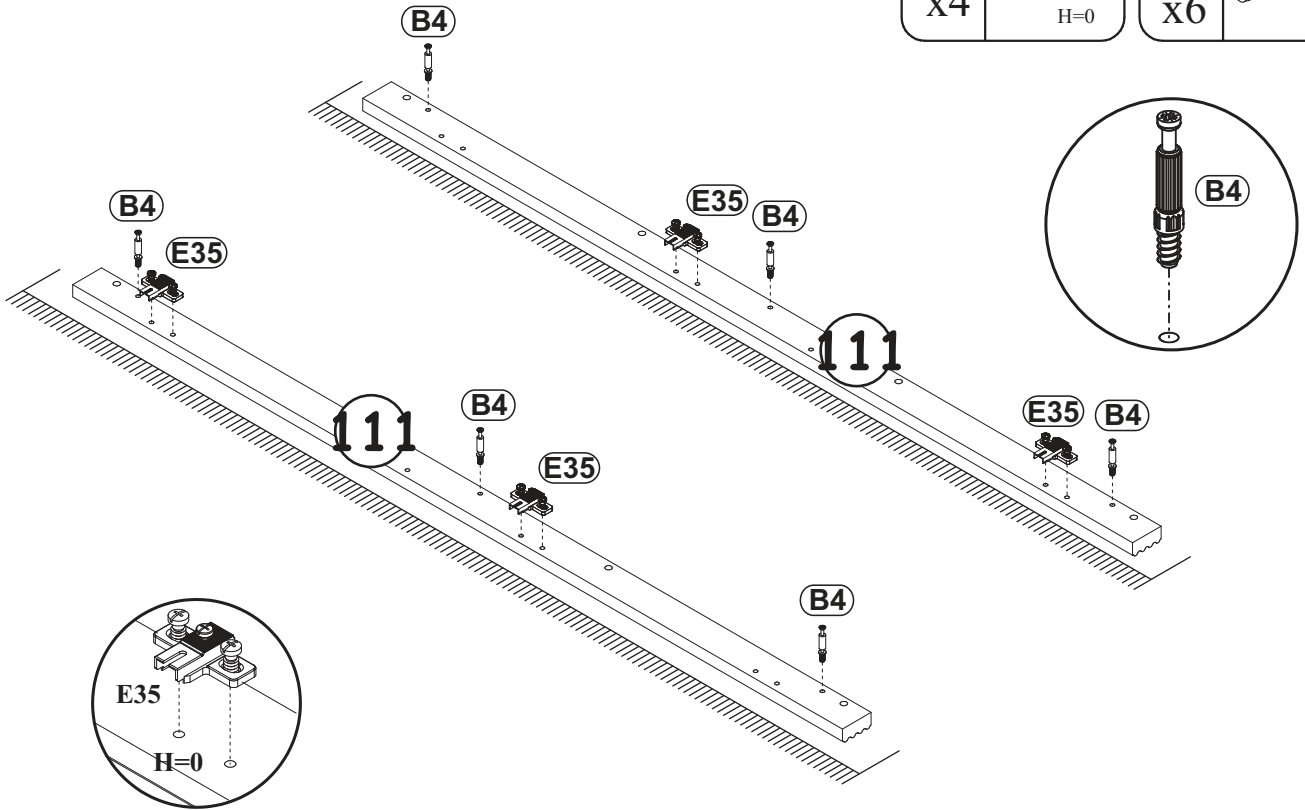
| | |
|-----|-------|
| KM5 | |
| x9 | 35x27 |

x2


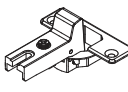
108

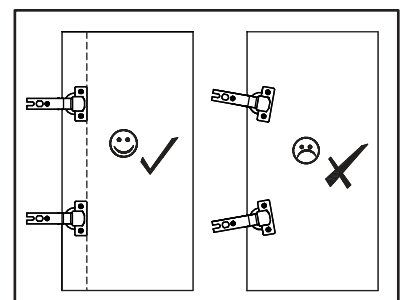
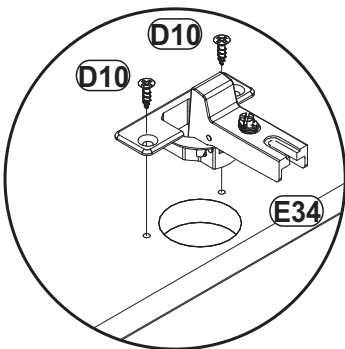
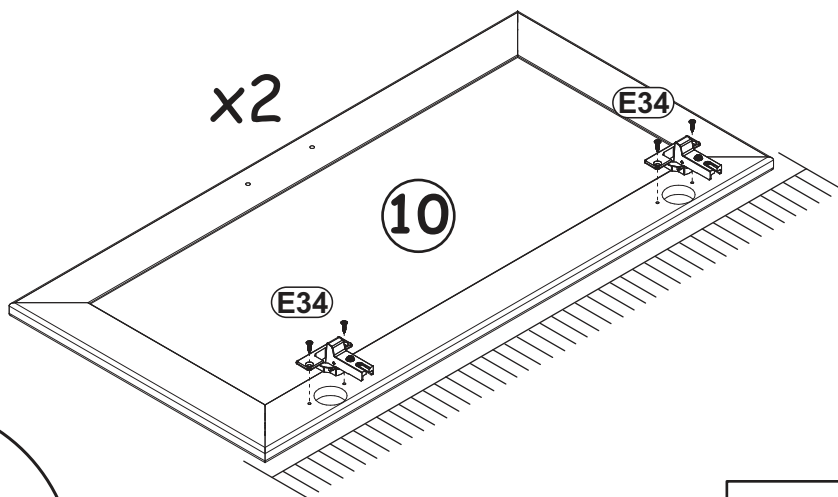
| | | | |
|-----|--|----|---|
| E35 |  | B4 |  |
| x4 | H=0 | x6 | |


5



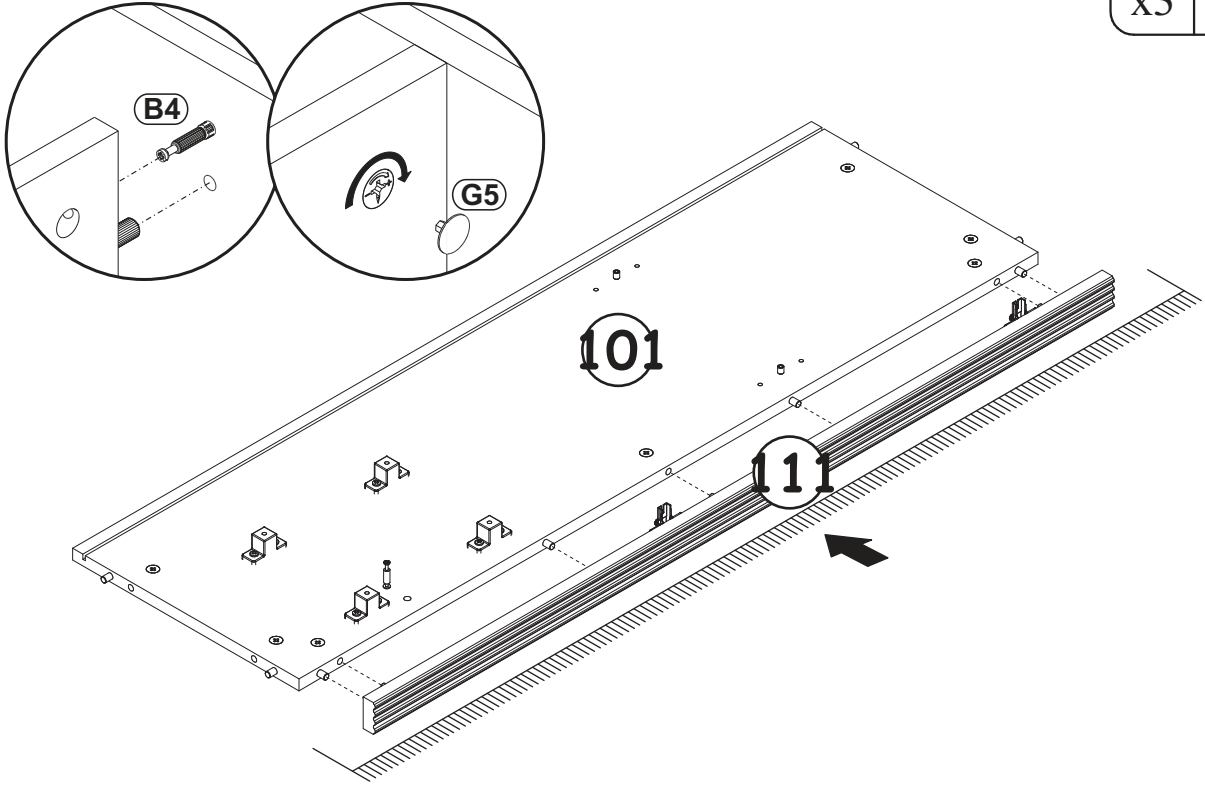
6

| | | | |
|-----|---|-----|---|
| D10 |  | E34 |  |
| x8 | USØ3,5x13 | x4 | Ø35 |




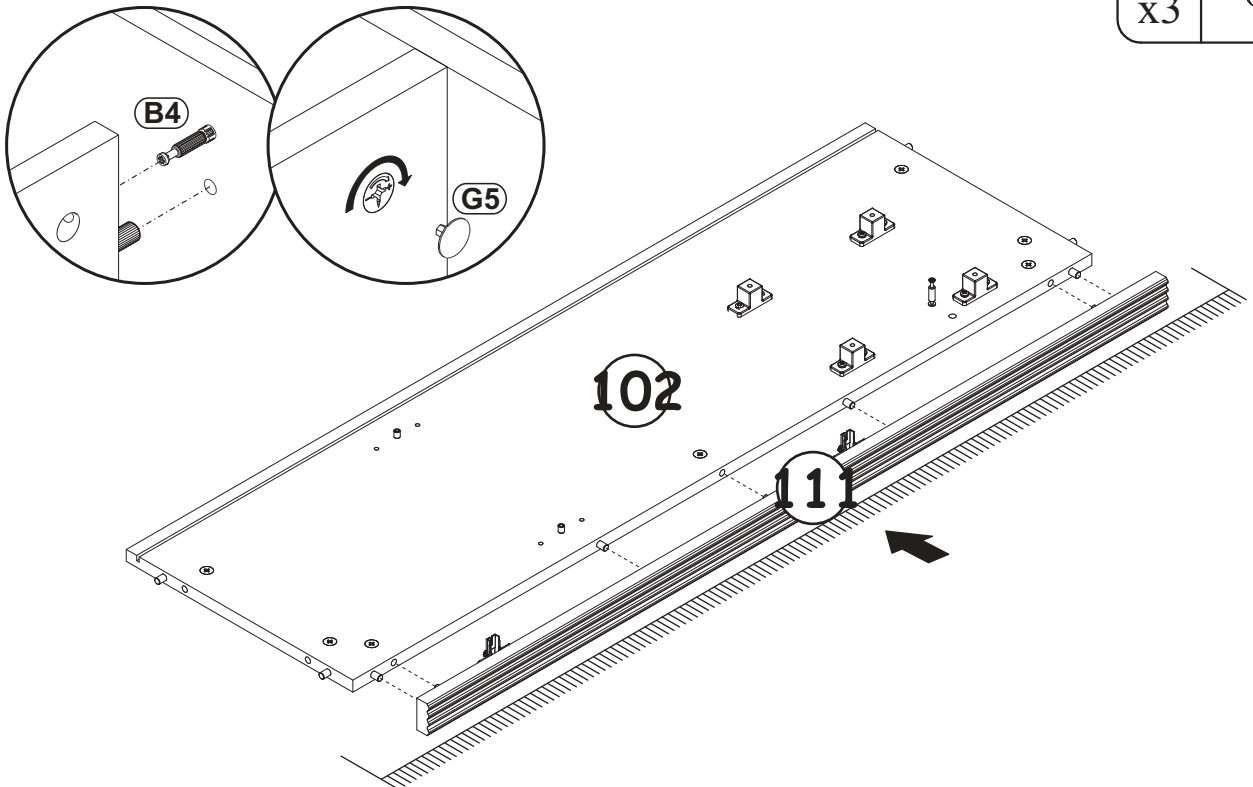
| | |
|----|---|
| G5 |  |
| x3 | |

7

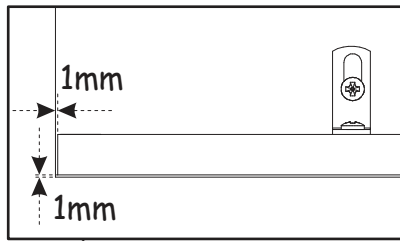


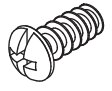
8

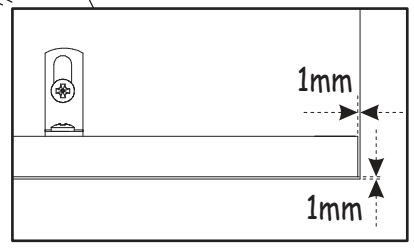
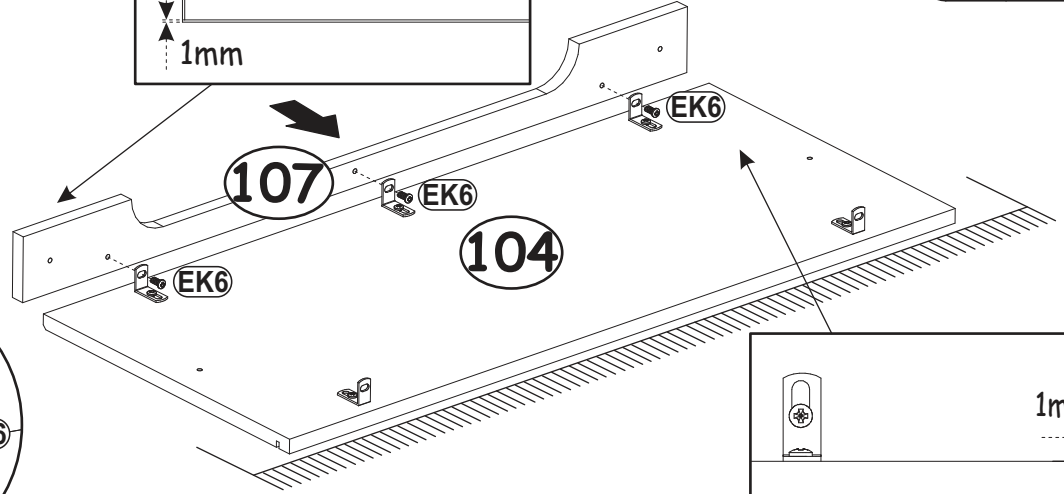
| | |
|----|---|
| G5 |  |
| x3 | |



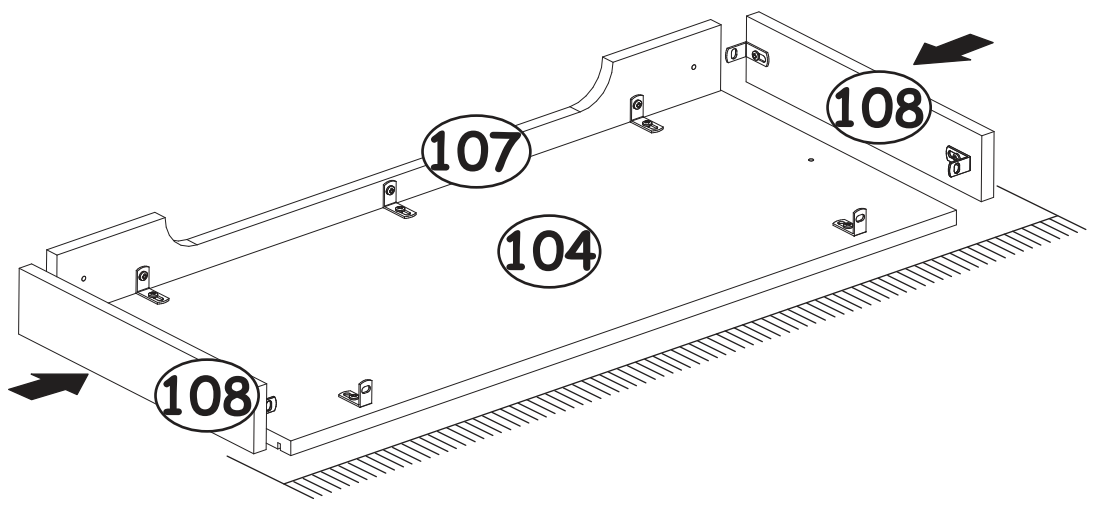
9



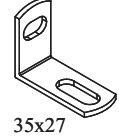
| | |
|-----|---|
| EK6 |  |
| x3 | EKØ6,3x13 |

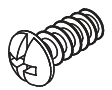


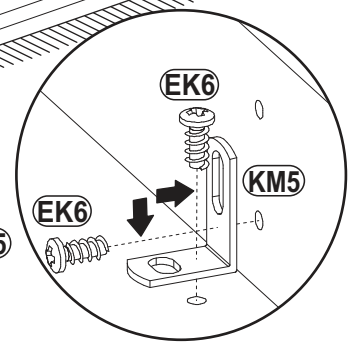
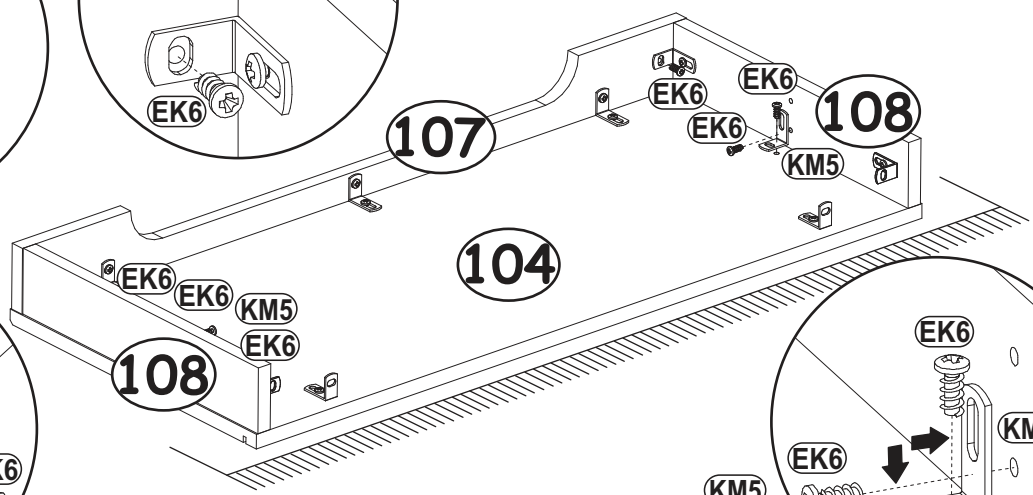
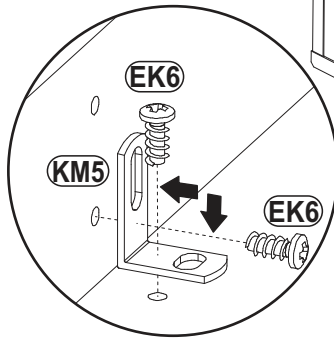
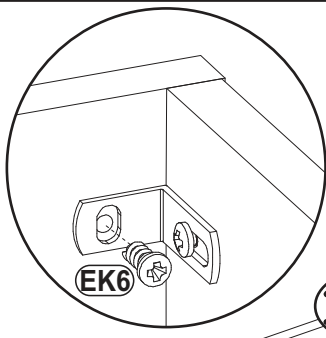
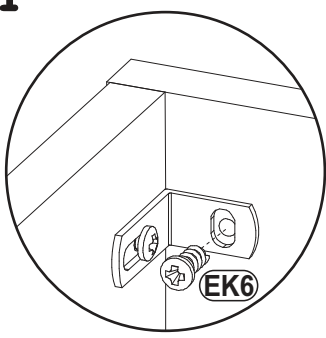
10



11

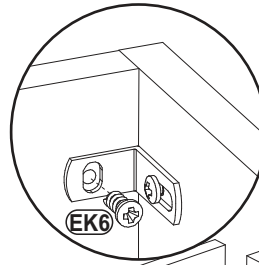
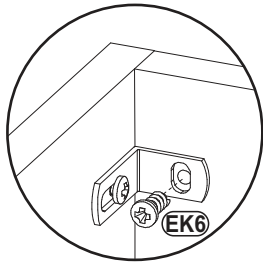
| | |
|-----|---|
| KM5 |  |
| x2 | 35x27 |

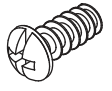
| | |
|-----|---|
| EK6 |  |
| x6 | EKØ6,3x13 |

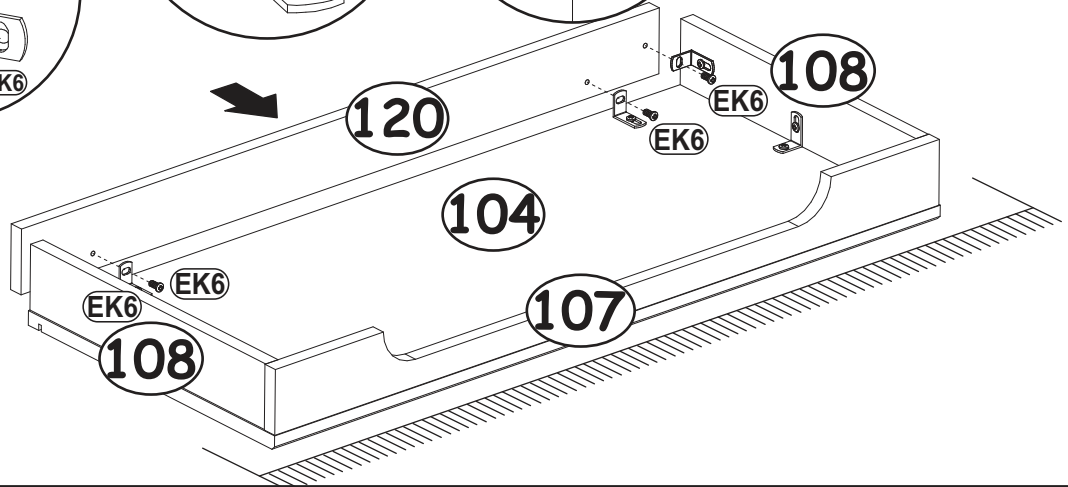


180°


12

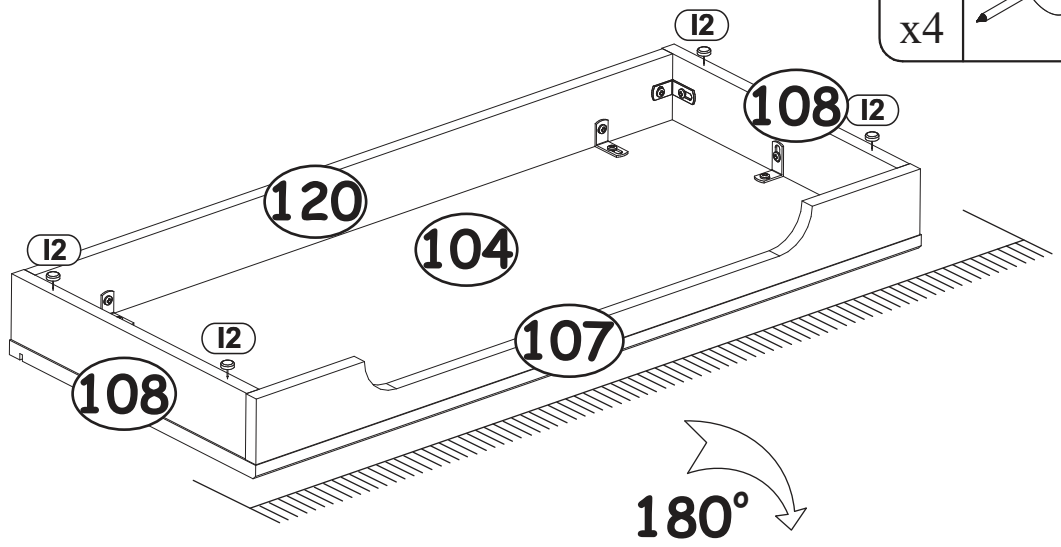
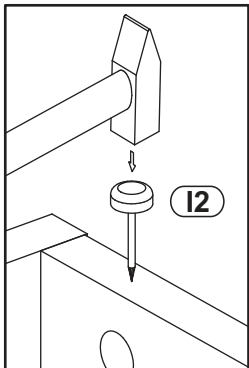


| | |
|-----|---|
| EK6 |  |
| x4 | EKØ6,3x13 |

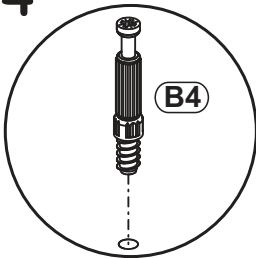


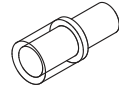
13

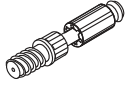
| | |
|----|---|
| I2 |  |
| x4 | |

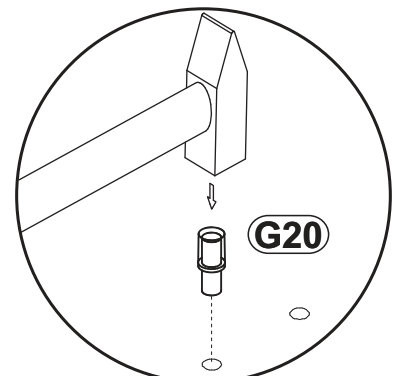
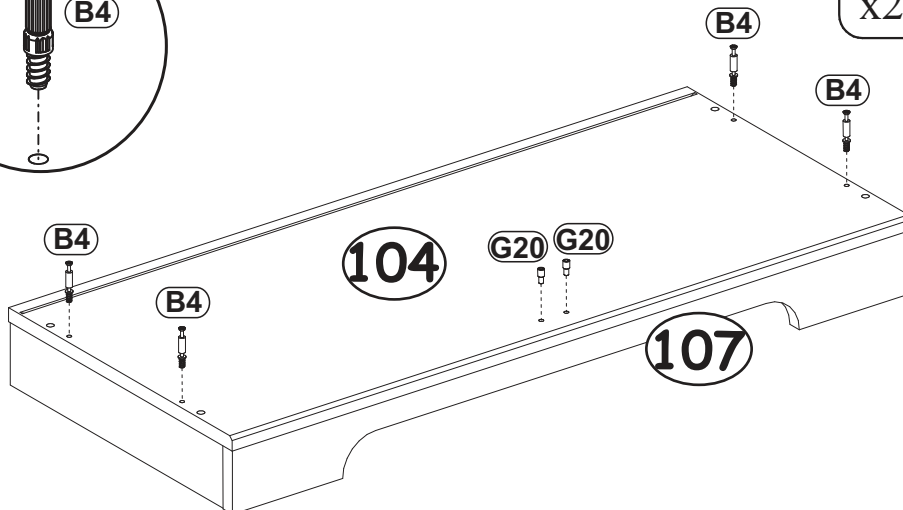


14

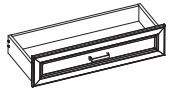


| | |
|-----|---|
| G20 |  |
| x2 | |

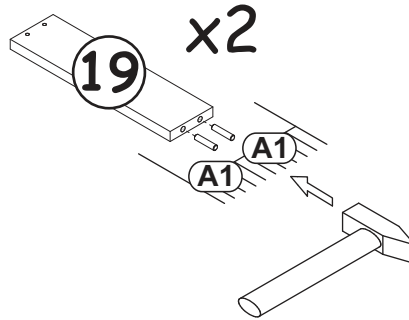
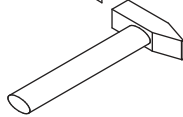
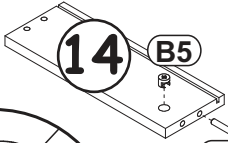
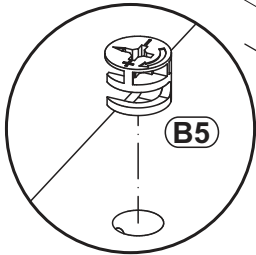
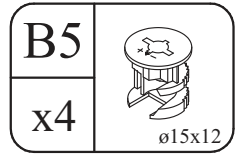
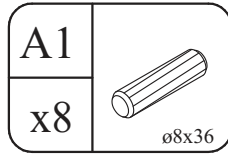
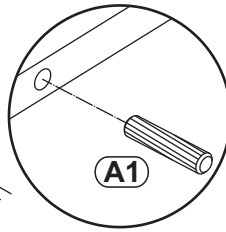
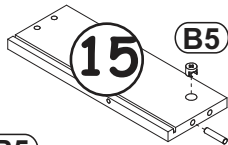
| | |
|----|---|
| B4 |  |
| x4 | |



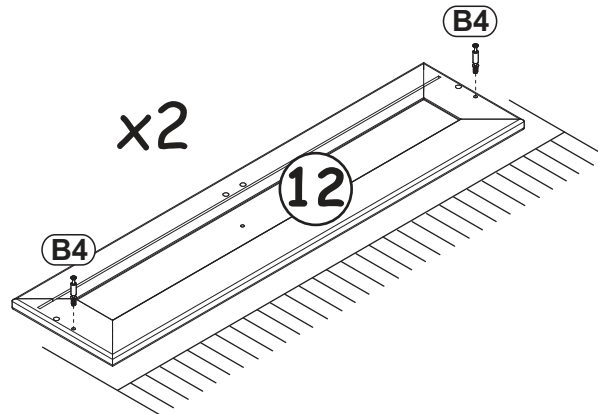
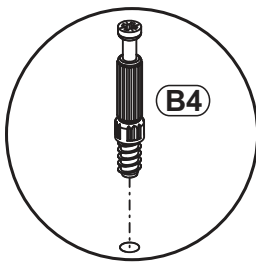
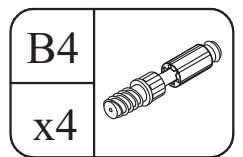
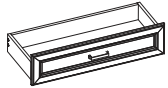
15



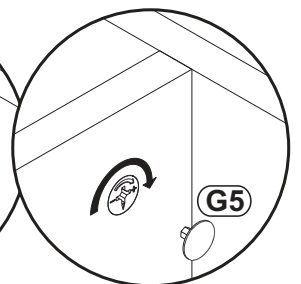
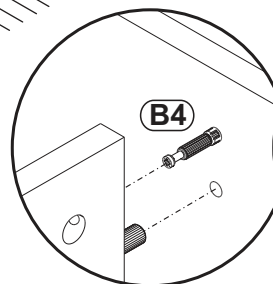
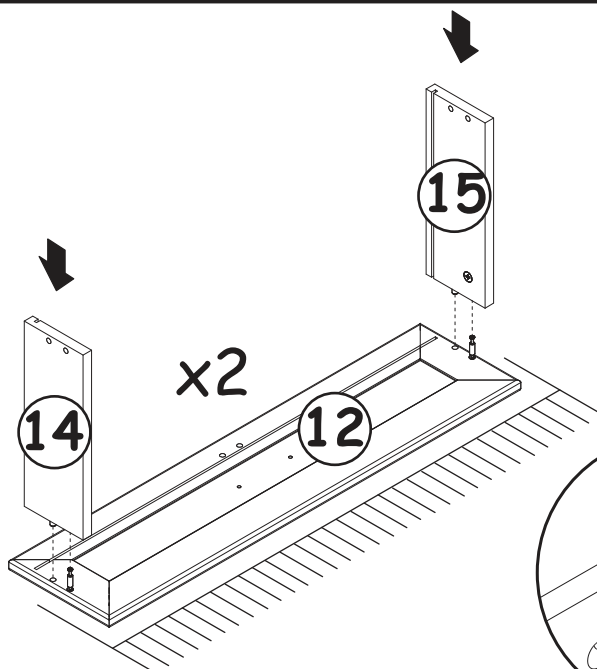
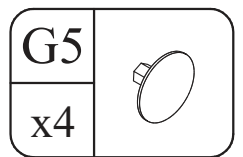
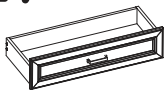
x2
15



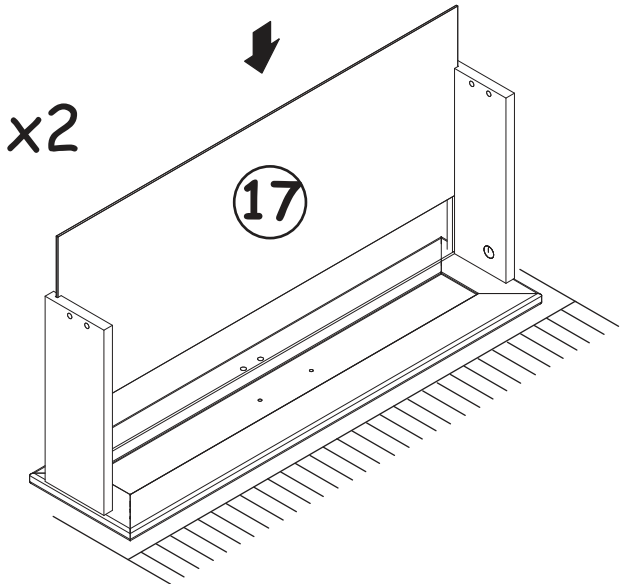
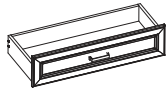
16



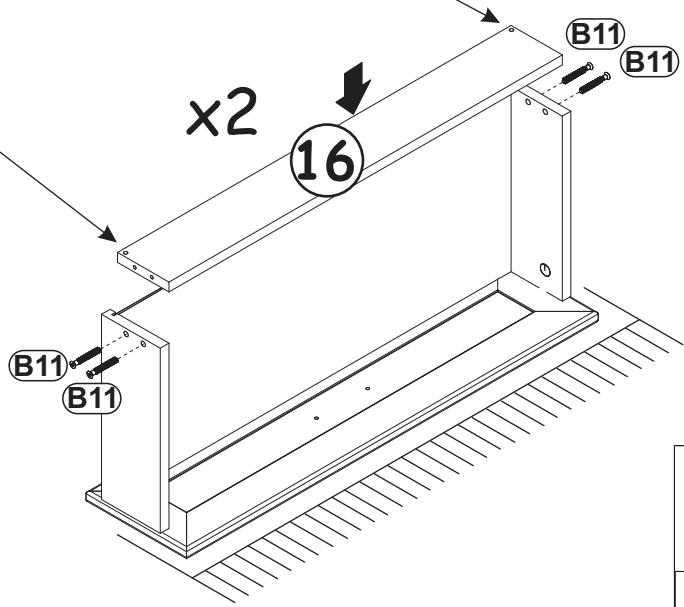
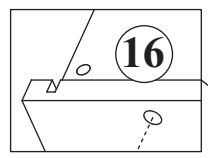
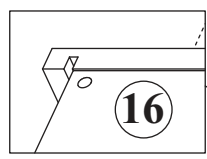
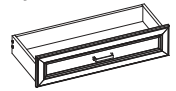
17



18

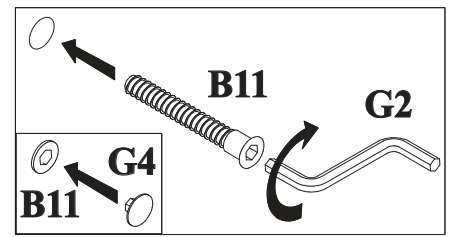


19

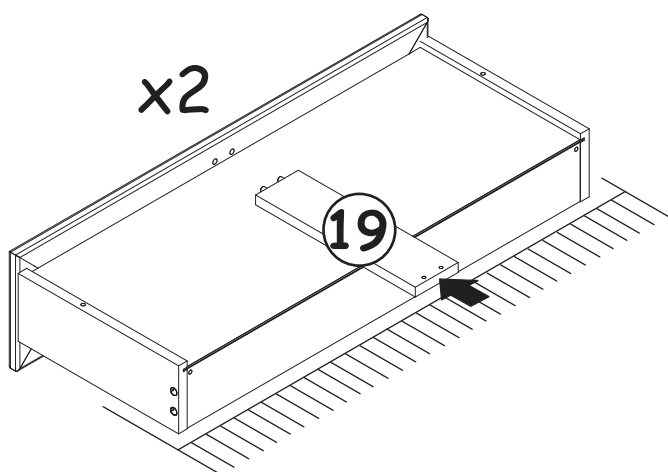
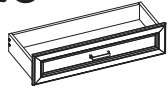


| | |
|-----|-------|
| B11 | |
| x8 | Ø7x50 |

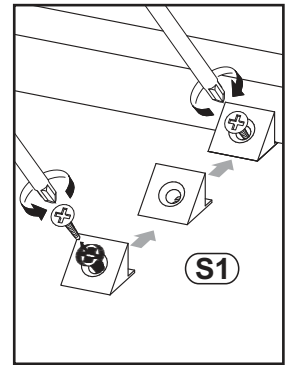
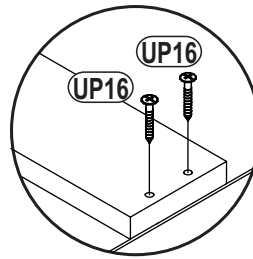
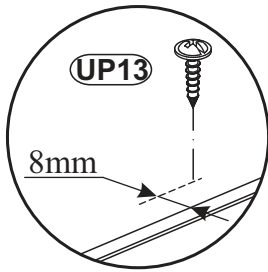
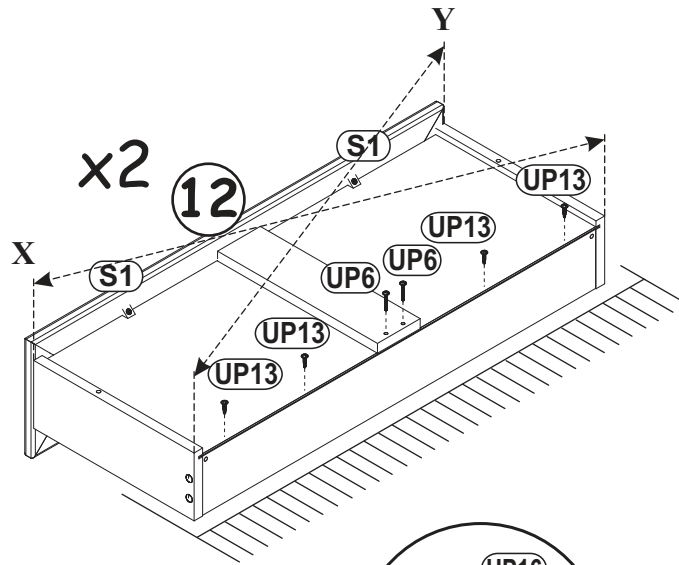
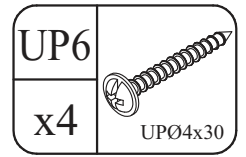
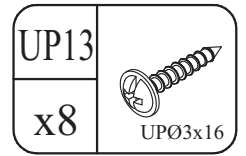
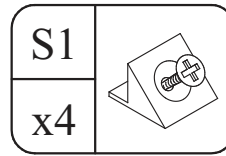
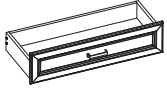
| | |
|----|--|
| G4 | |
| x8 | |



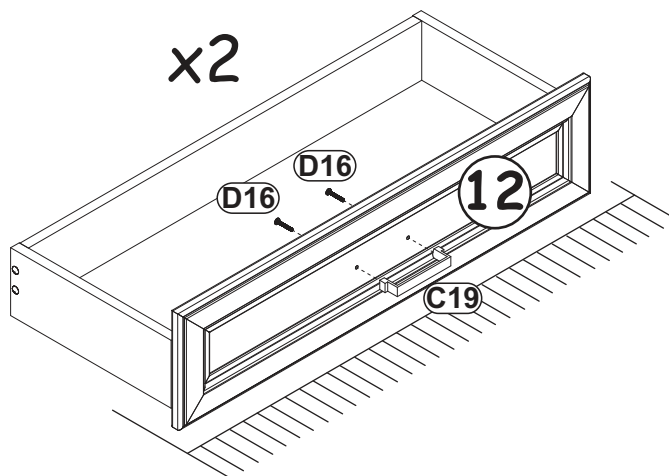
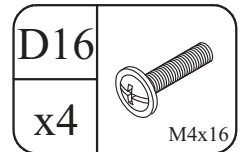
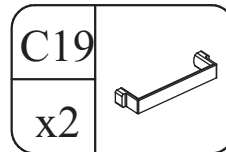
20



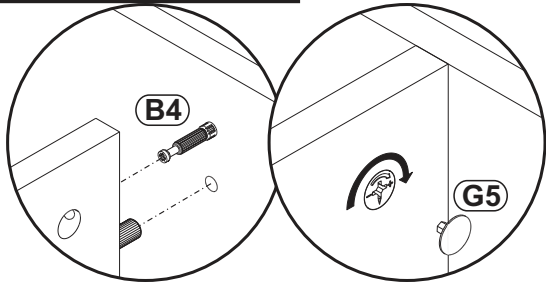
21



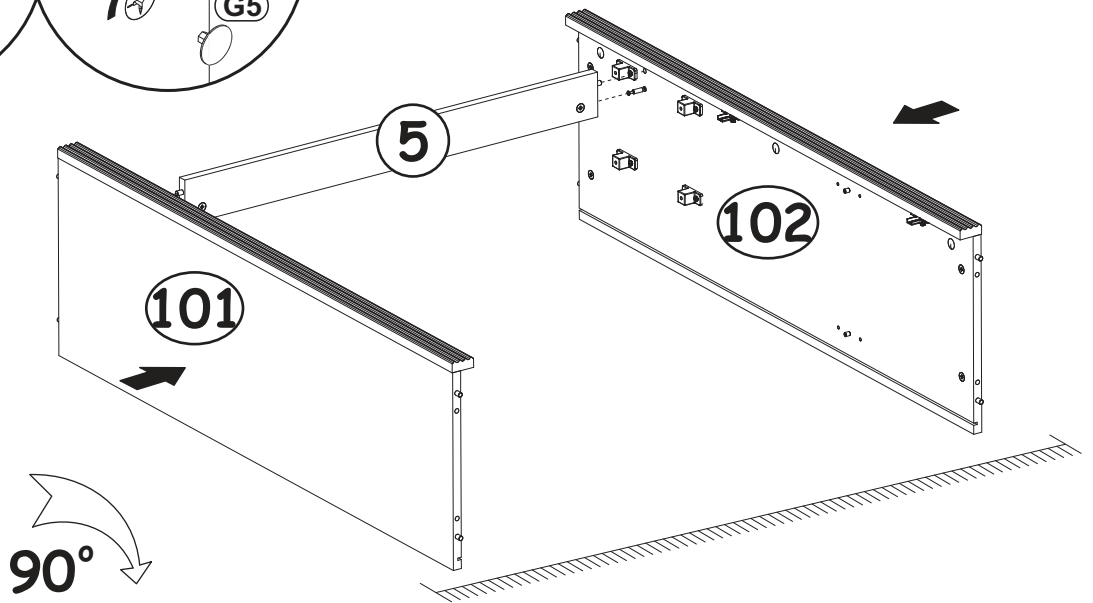
22



23

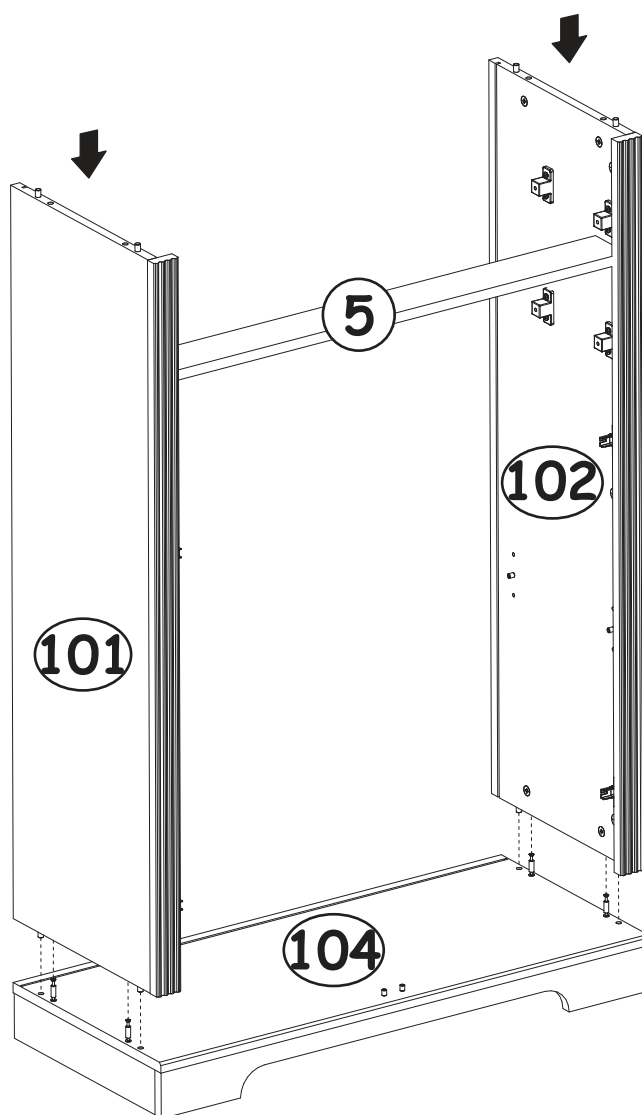
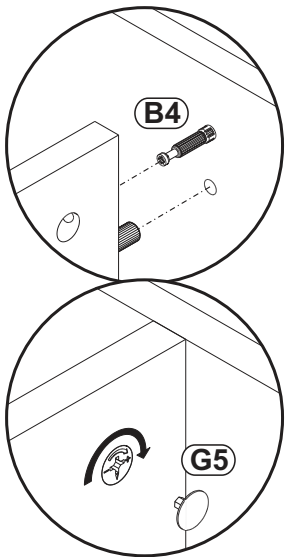


| | |
|----|--|
| G5 | |
| x2 | |

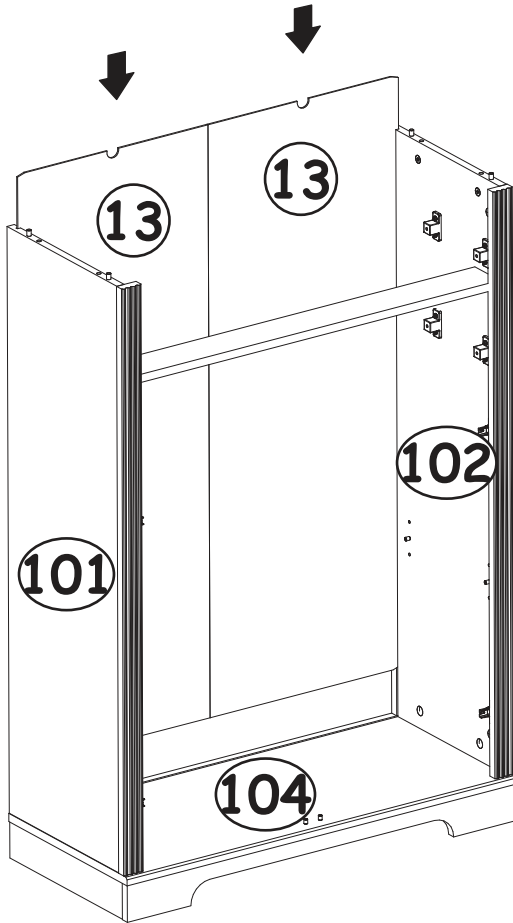


24

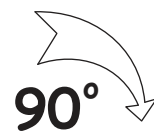
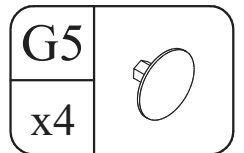
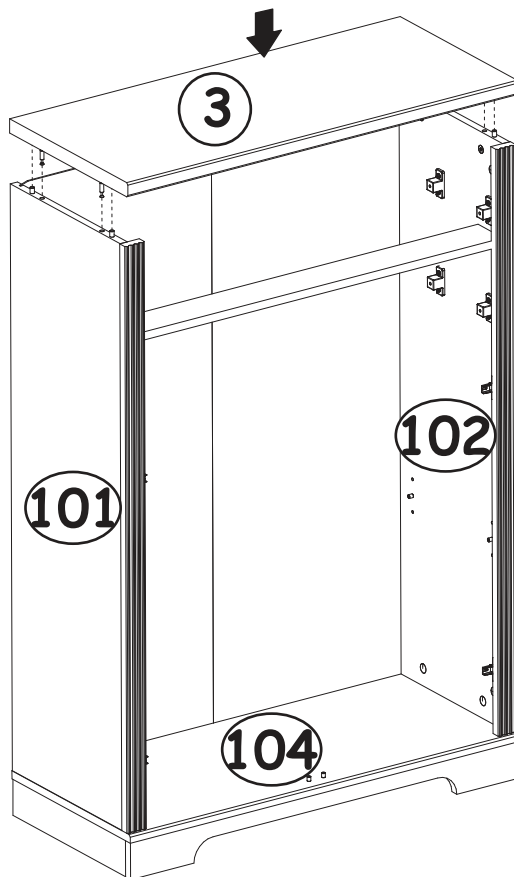
| | |
|----|--|
| G5 | |
| x4 | |



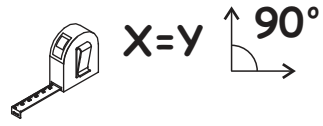
25



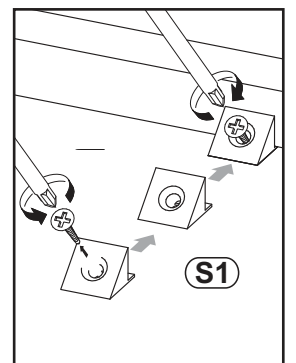
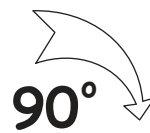
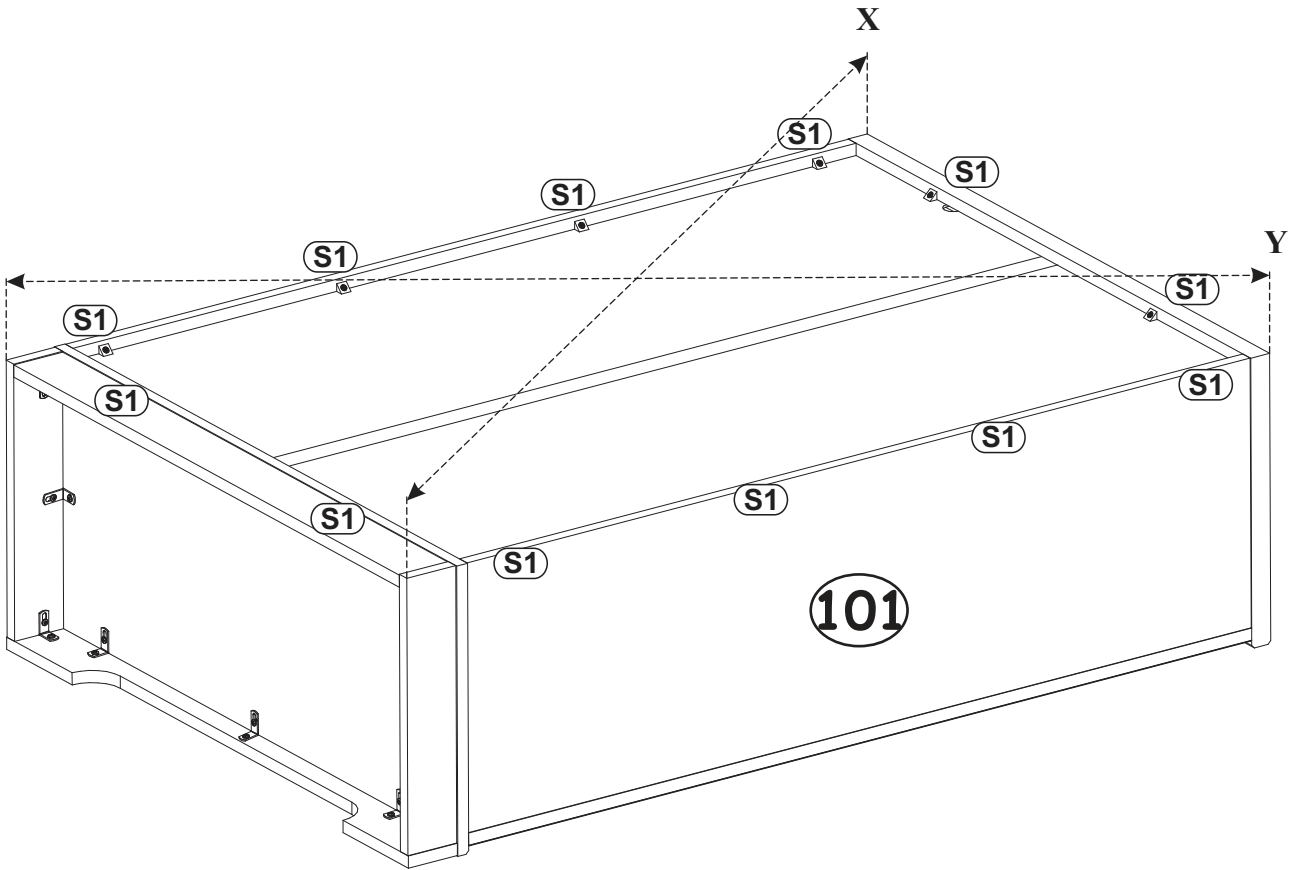
26



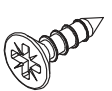
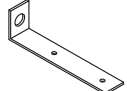

27

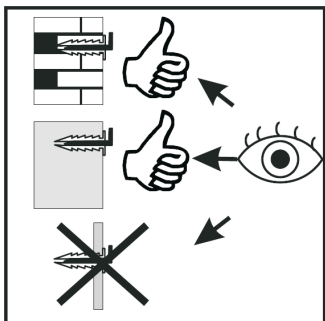
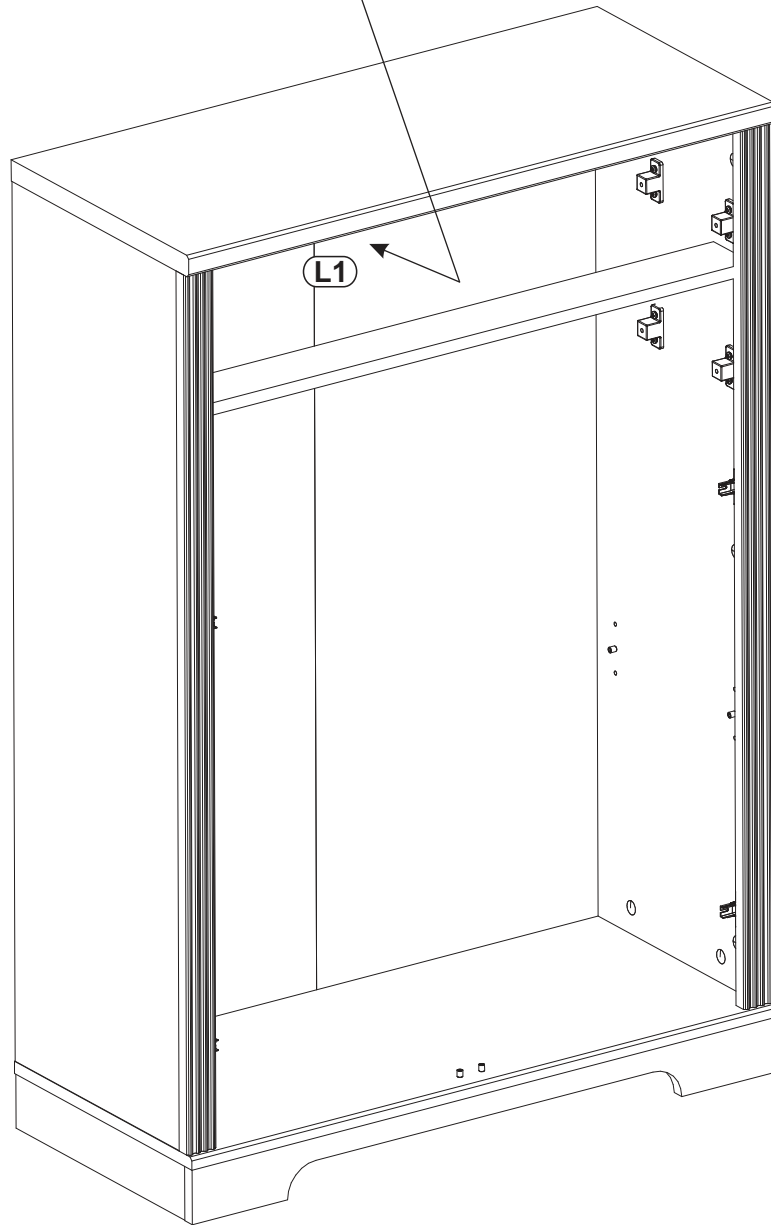
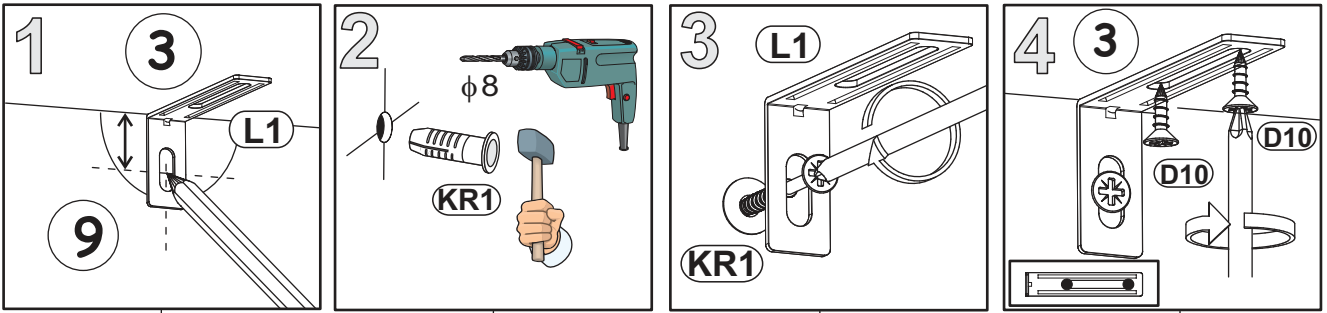


| | |
|-----|--|
| S1 | |
| x12 | |


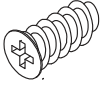


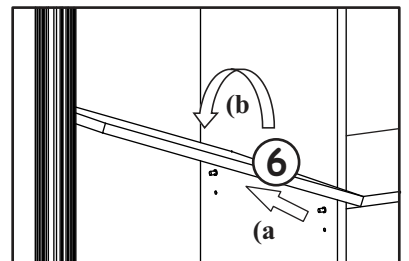
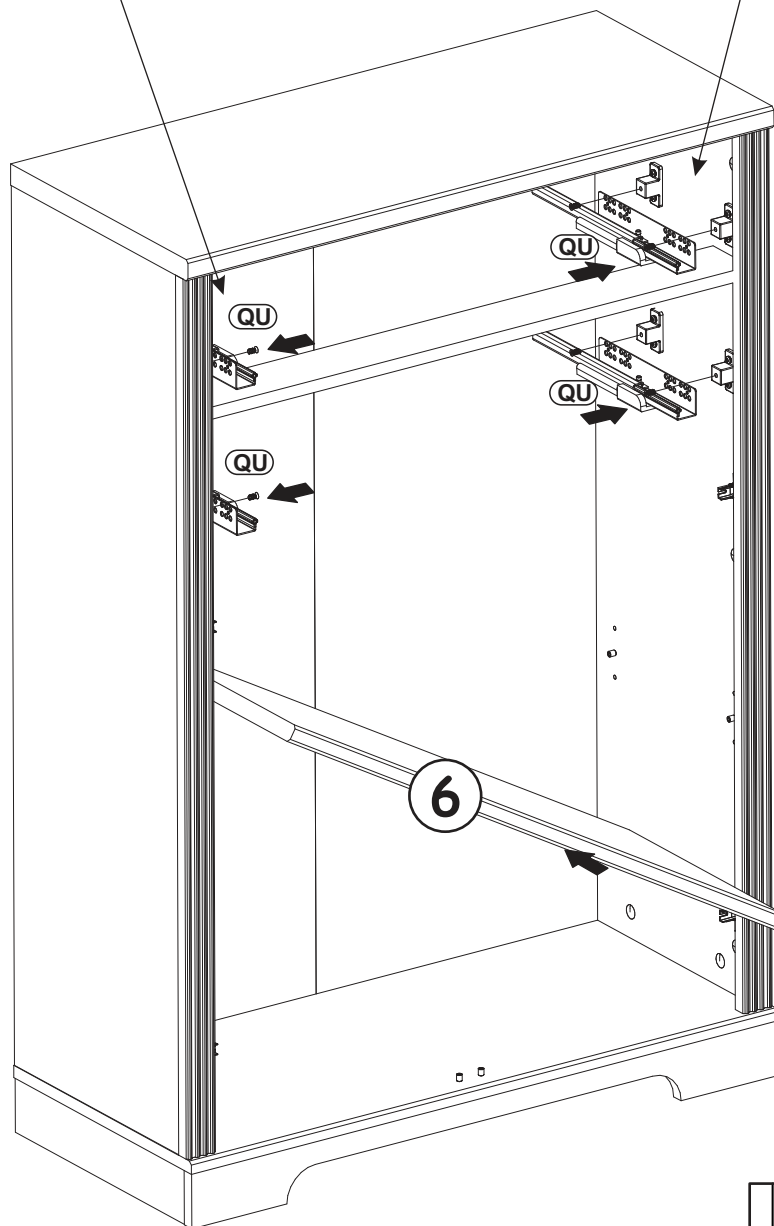
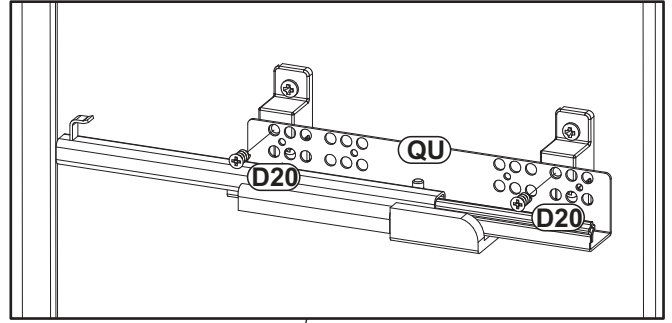
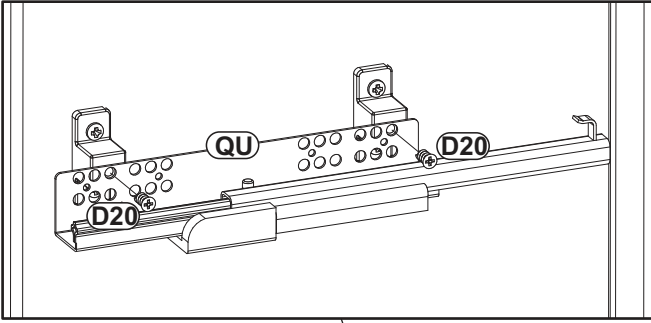
28

| | | | | | |
|-----|--|----|---|-----|---|
| D10 |  | L1 |  | KR1 |  |
| x2 | USØ3,5x13 | x1 | | x1 | |

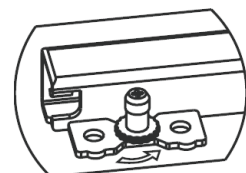
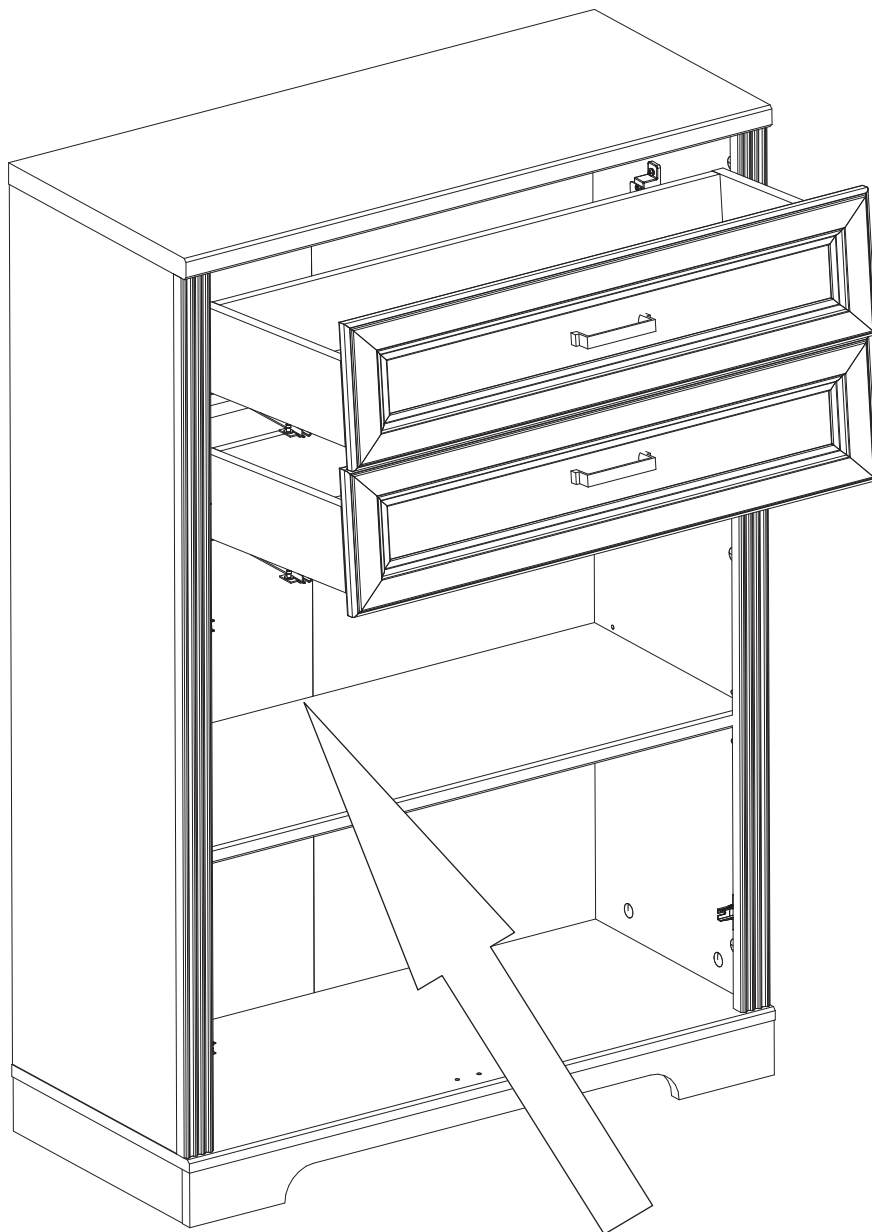
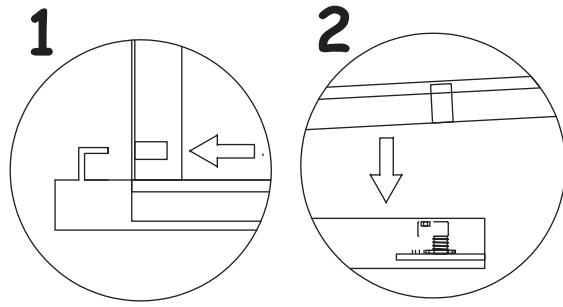


29

| | | | |
|----|--|-----|---|
| QU |  | D20 |  |
| x2 | L-300 | x8 | ESØ6x9,5 |



30



↑ +4 mm

31

