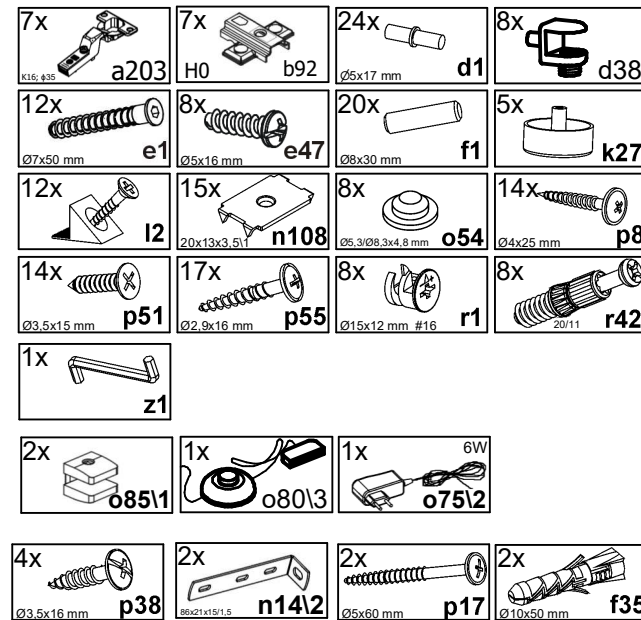
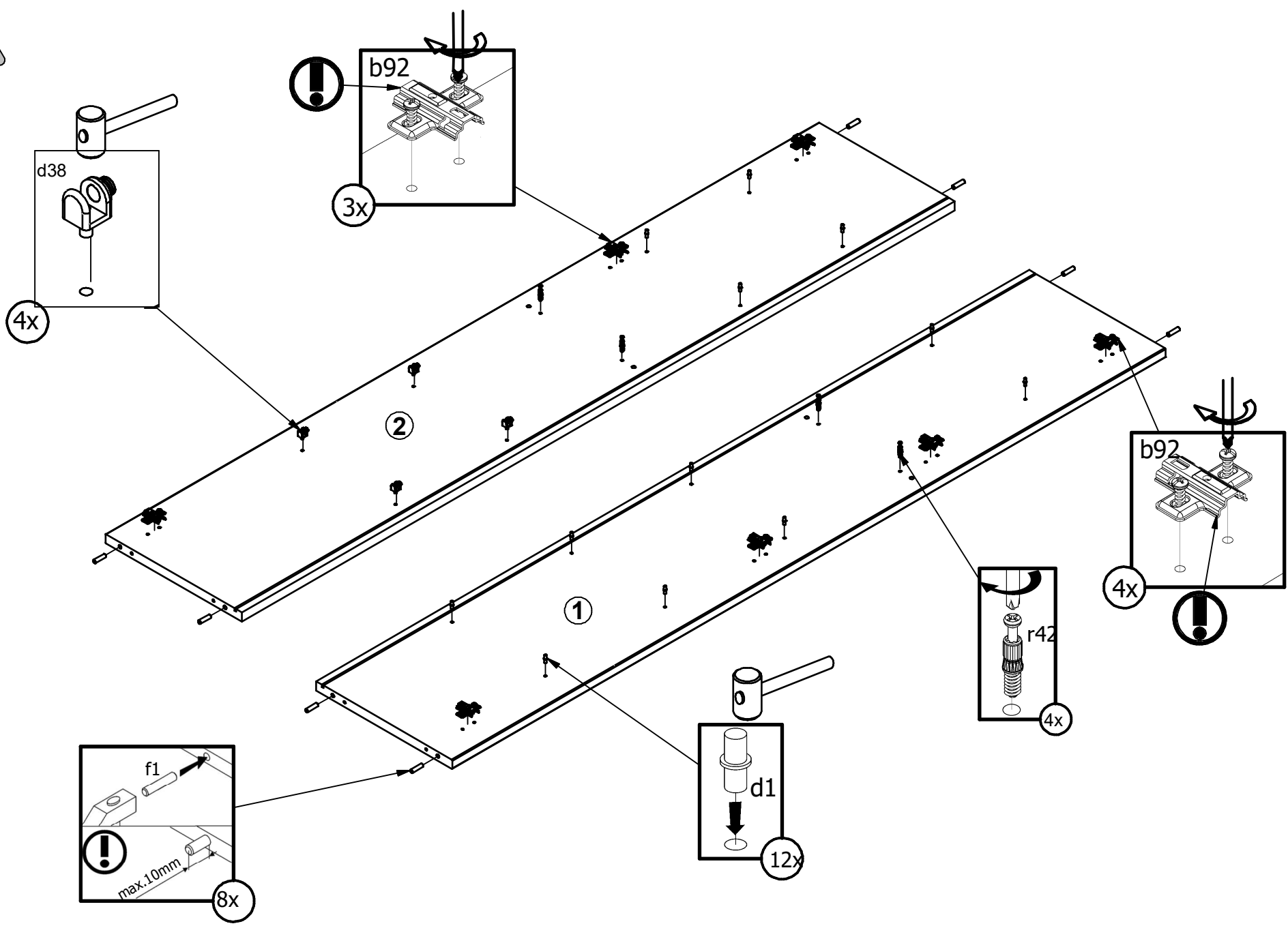


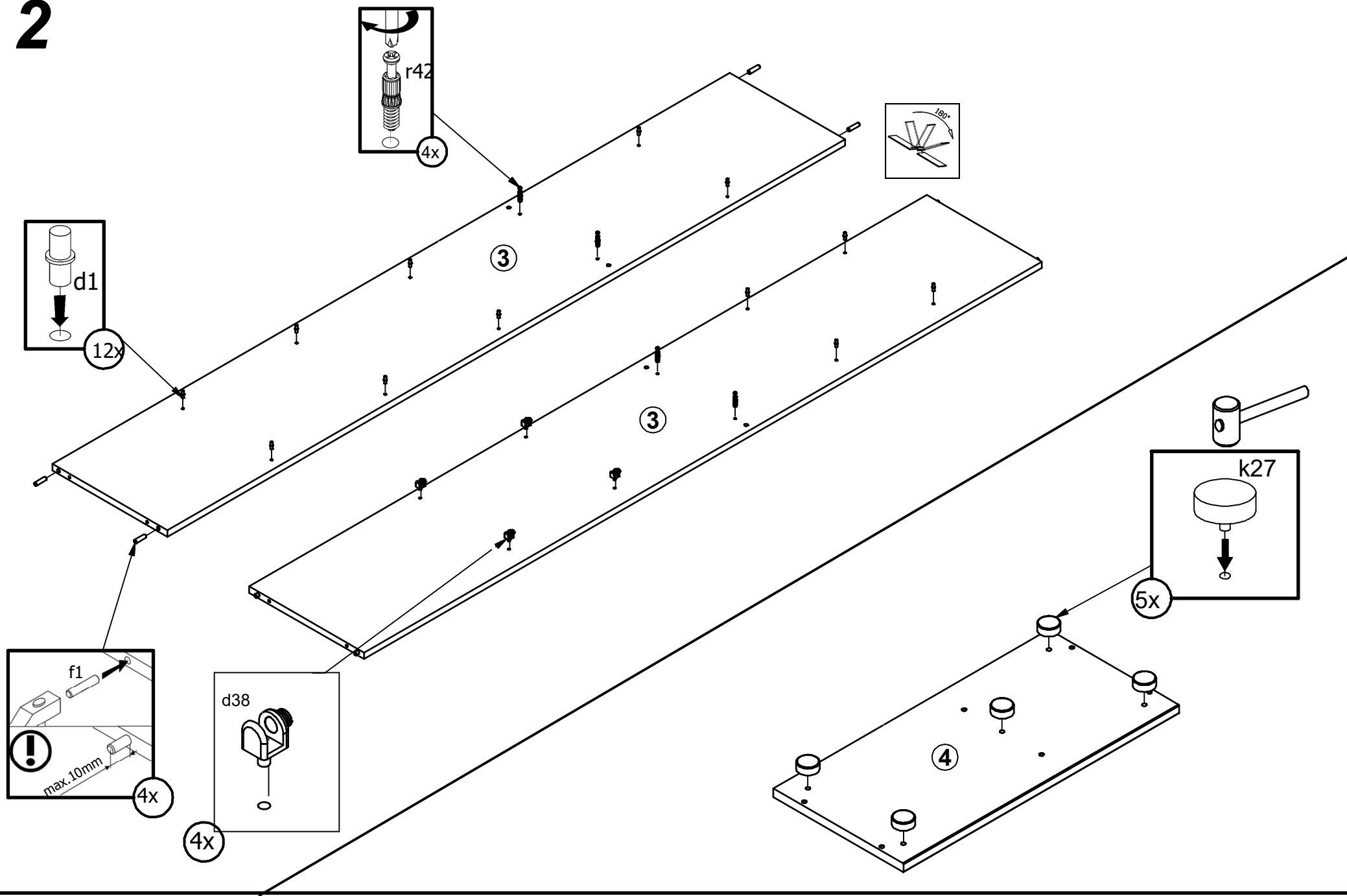
A	B	C1	C2	C3	D
1	S551-1001	1956	374	22	2/3
2	S551-1002	1956	374	22	2/3
3	S551-1003	1956	332	16	2/3
4	S551-2001	795	376	22	1/3
5	S551-2002	795	376	22	1/3
6	S551-3001	441	322	16	3/3
7	S551-3002	442	332	16	3/3
8	S551-3003	291	322	16	1/3
9	S551-3004	292	332	16	1/3
10	S551-3005	435	320	6	1/3
11	S551-5501	980	437	4	3/3
12	S551-7001	296	1232	19	3/3
13	S551-7002	296	718	19	3/3
14	S551-7003	446	156	19	3/3
15	S551-7004	446	156	19	3/3
16	S551-7005	446	718	19	3/3
17	S551-7302	288	100	12	3/3
18	S551-7303	438	100	12	3/3
19	S551-9001	1966	305	2,5	2/3
20	S551-9002	840	455	2,5	3/3
21	S551-9012	455	1126	2,5	3/3



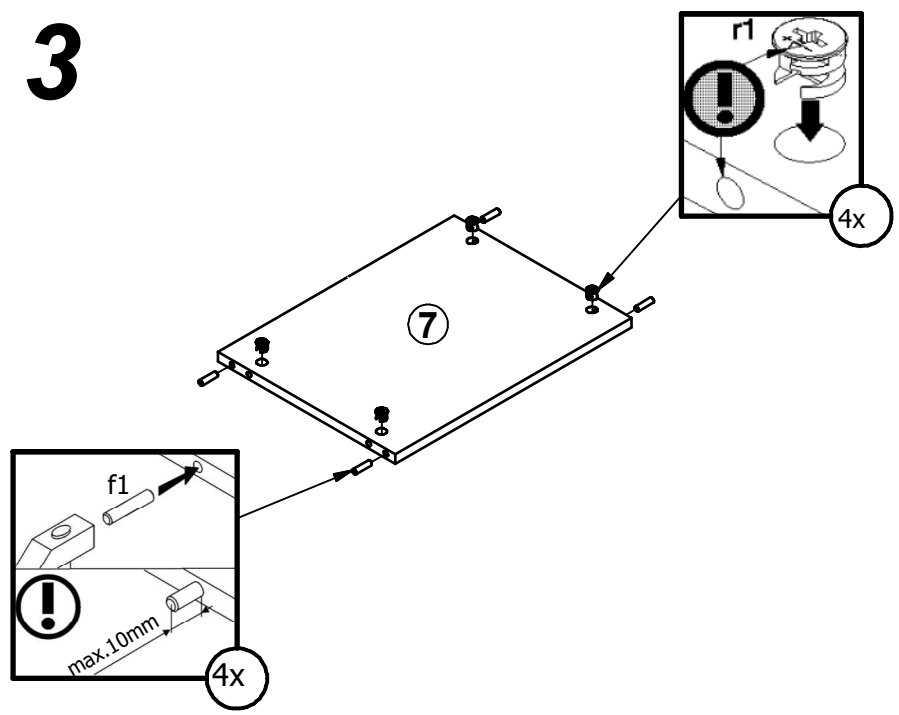
1 



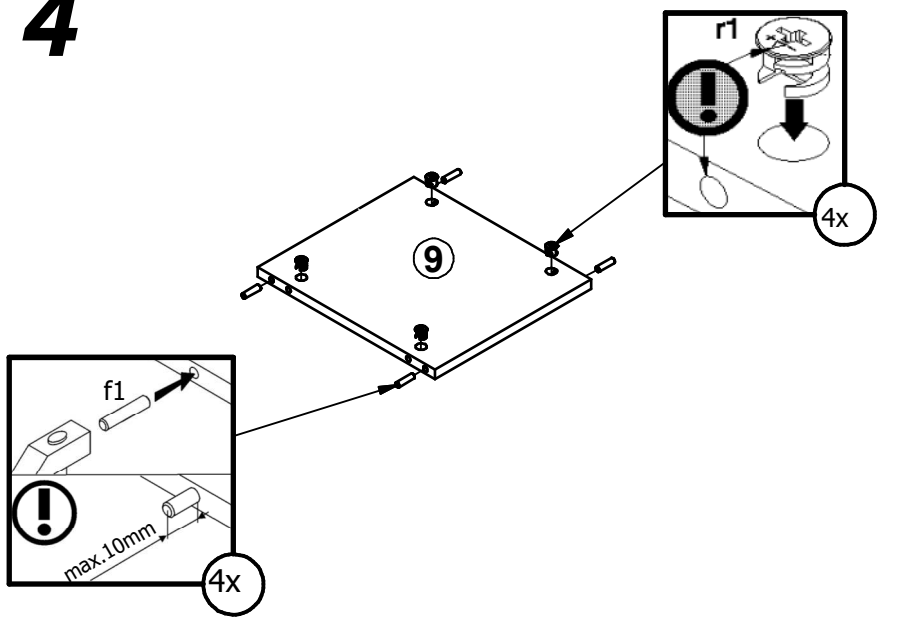
2



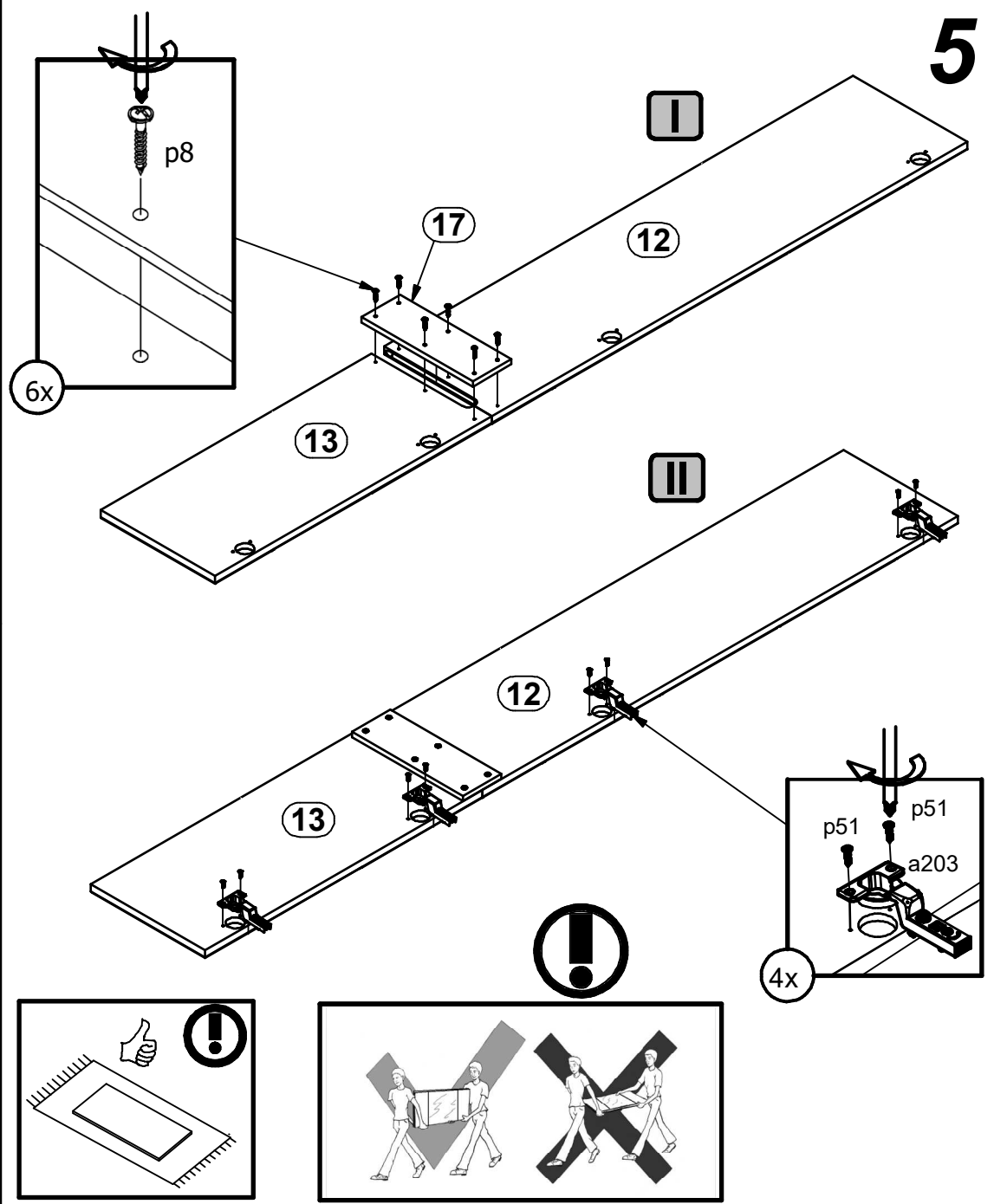
3

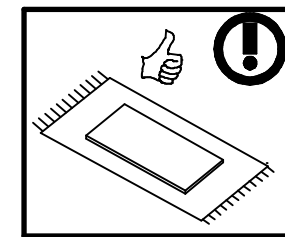
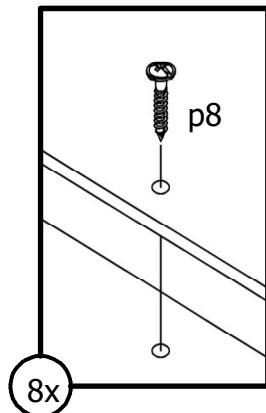
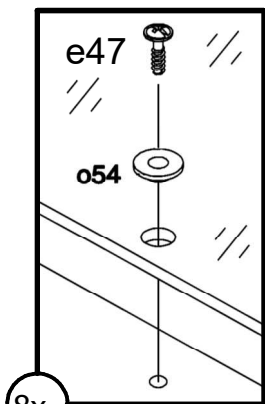


4



5



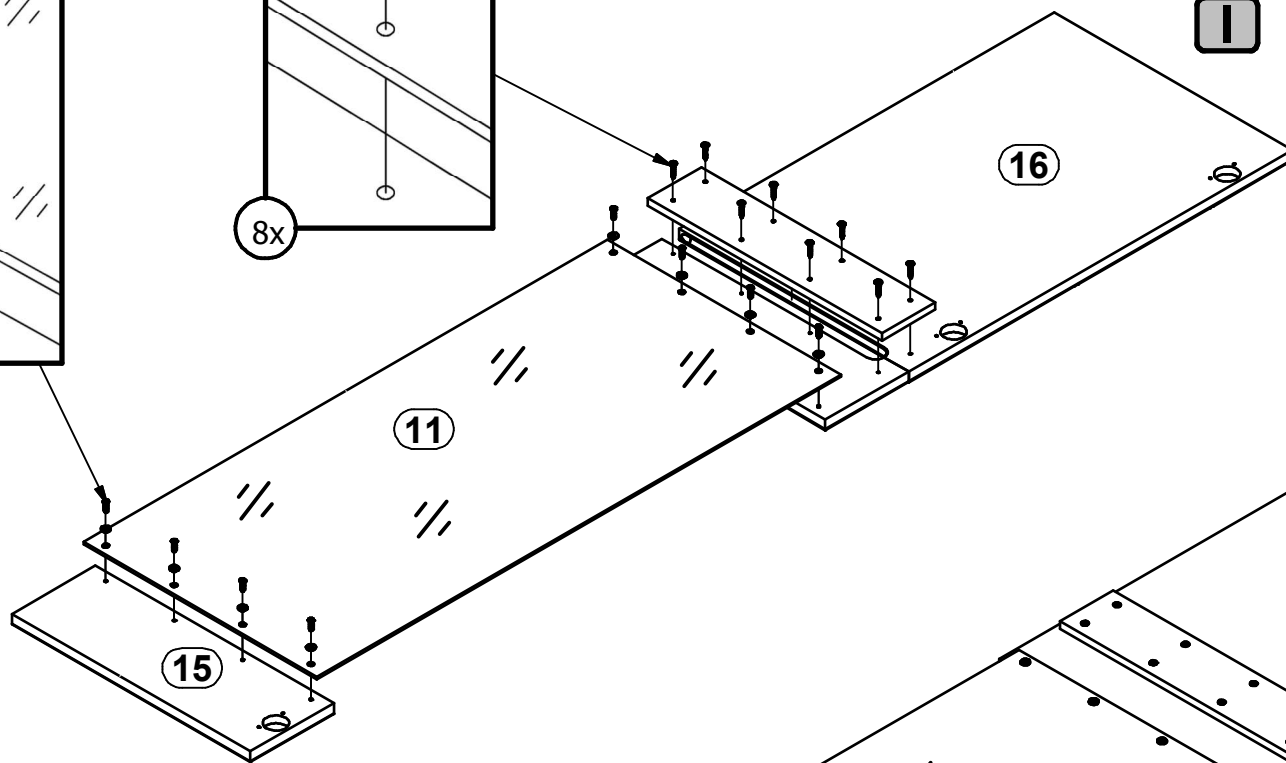


8x

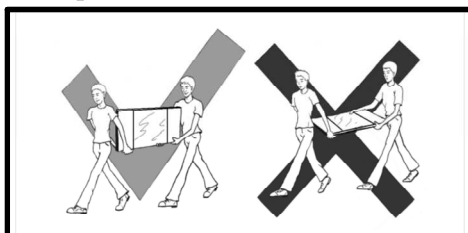
8x

11

16



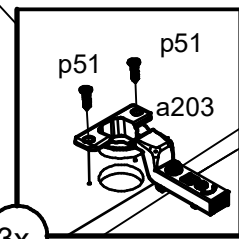
16




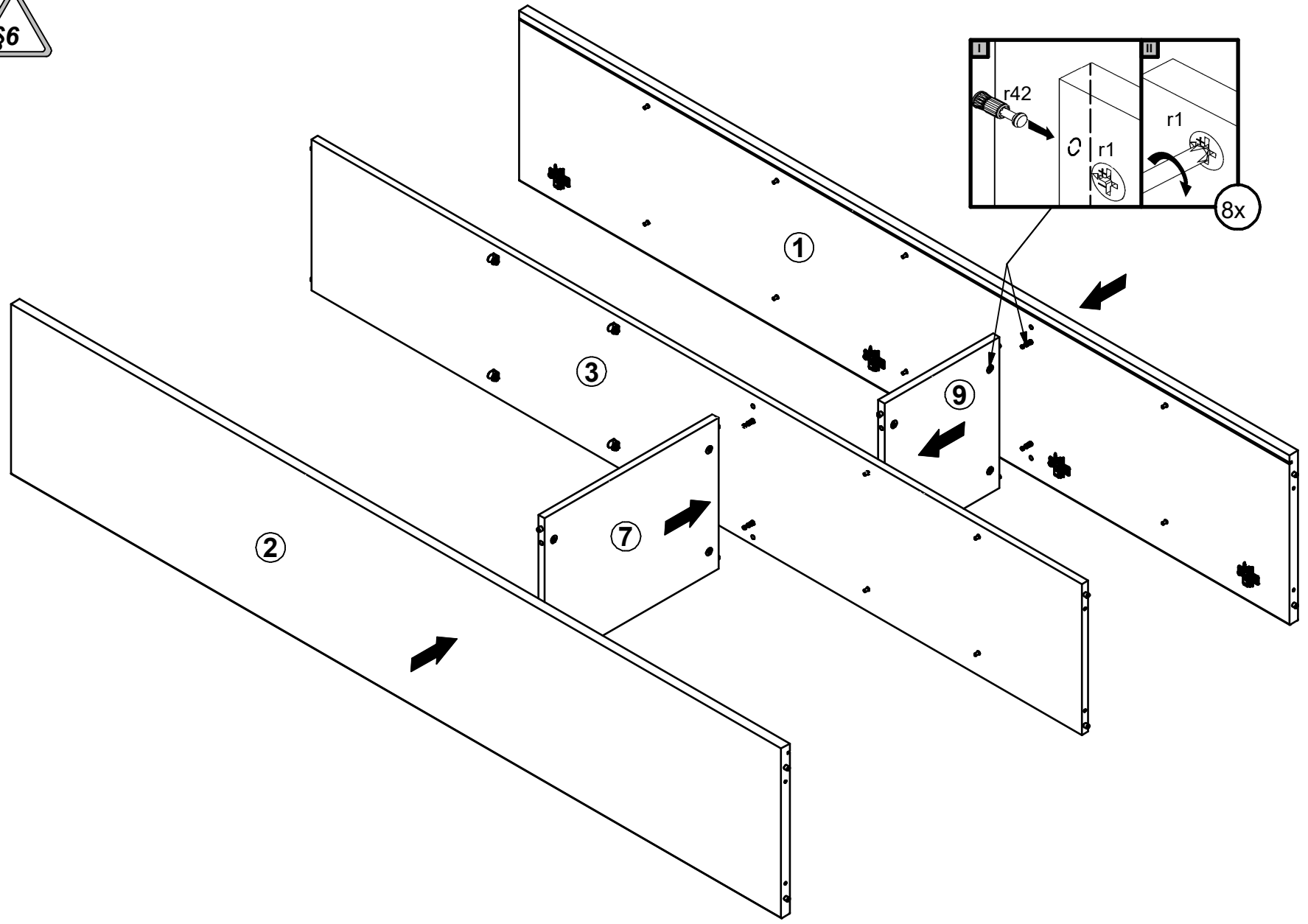
11

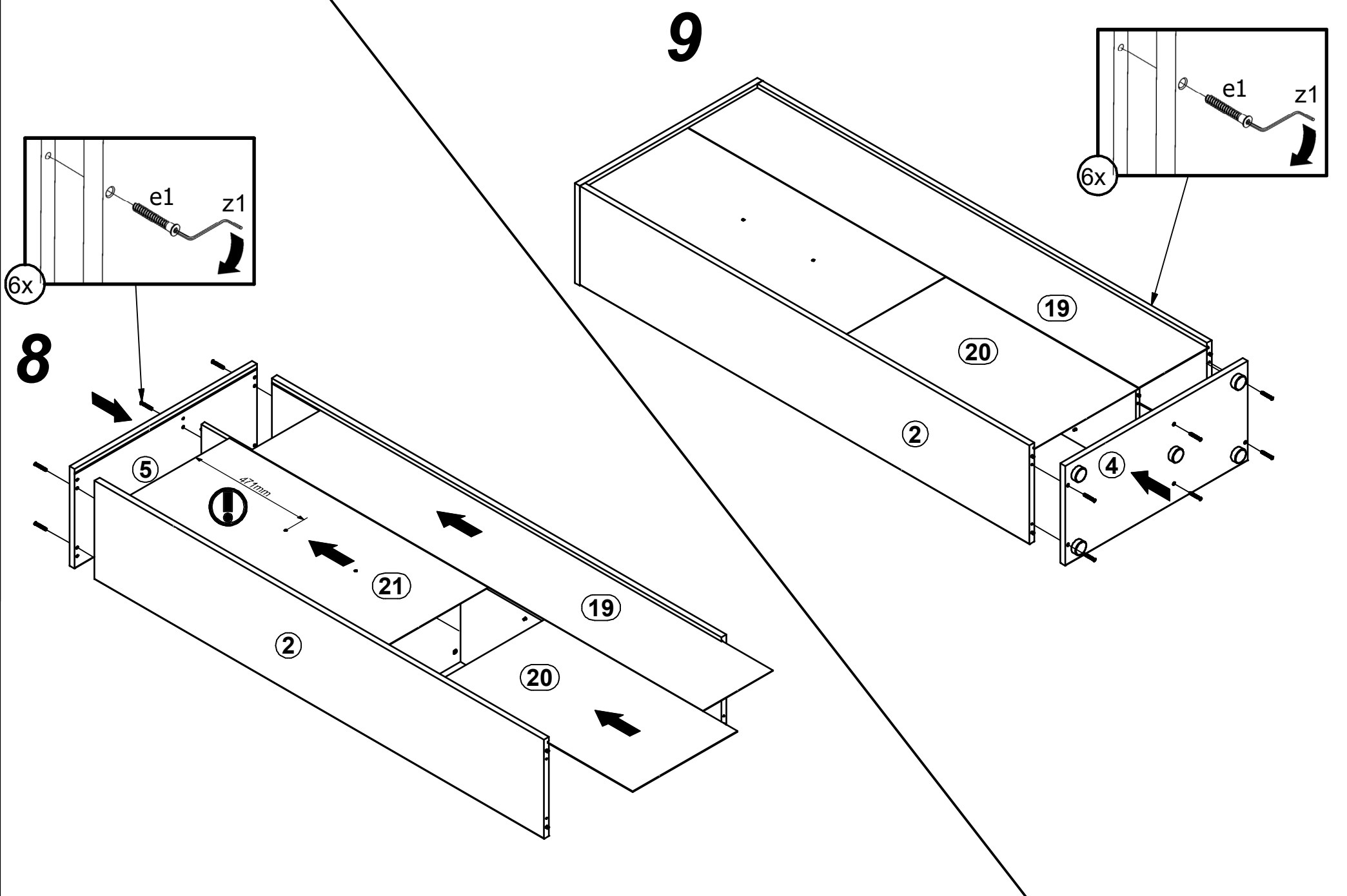
15

3x

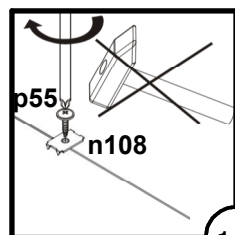


7 

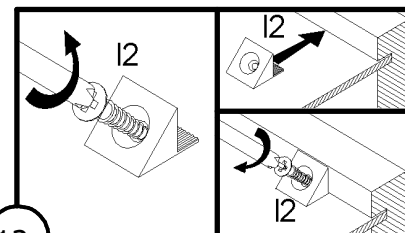




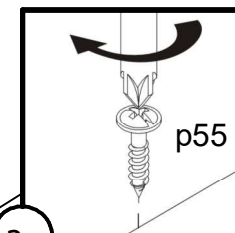
10



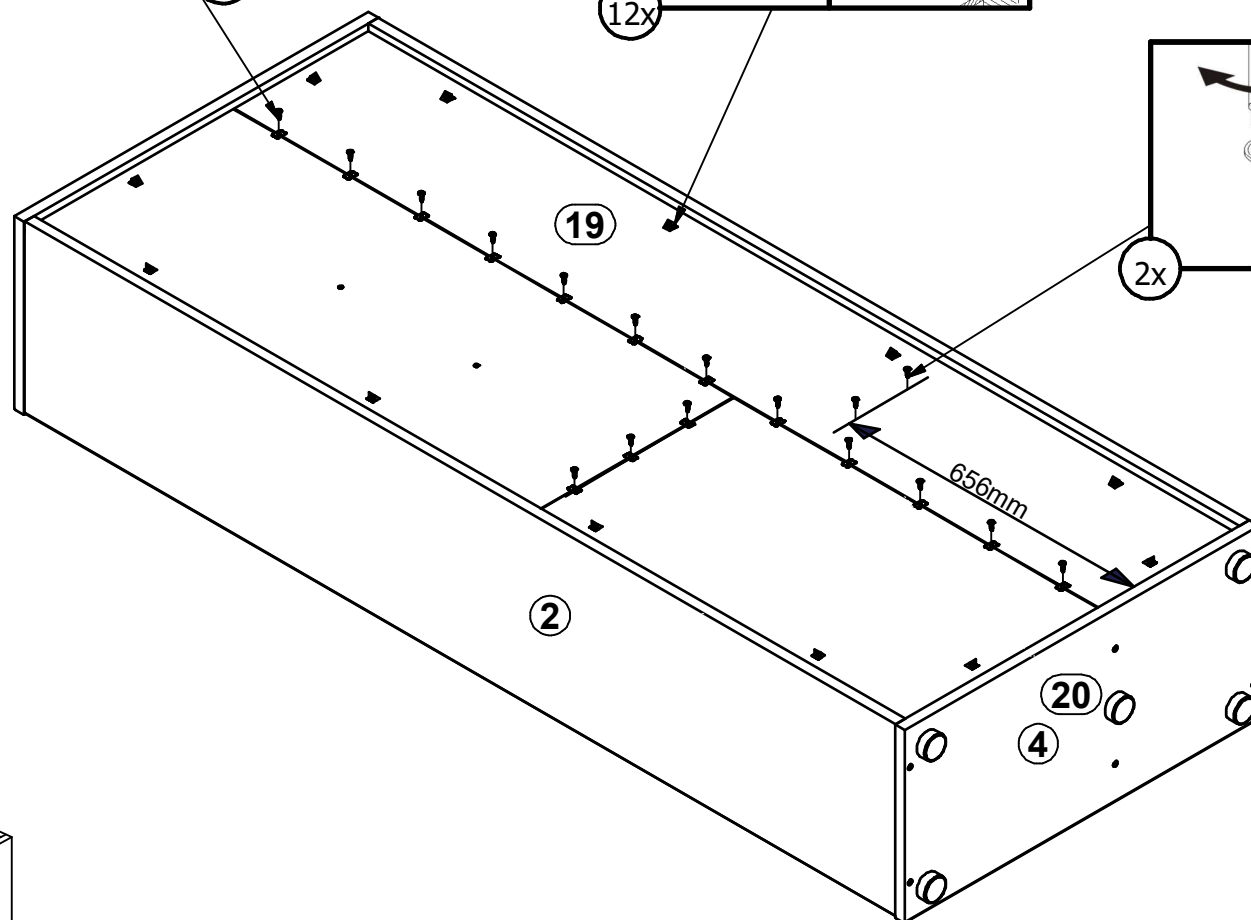
15x



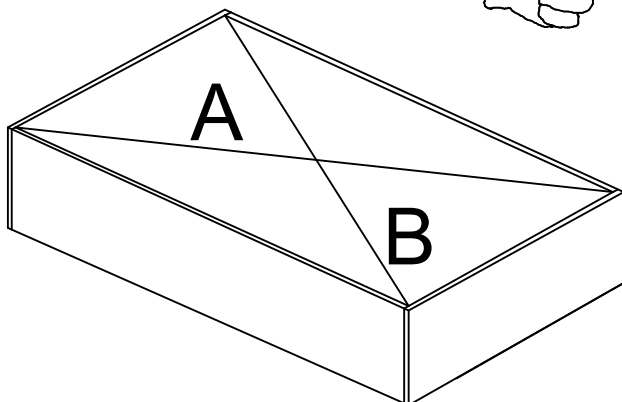
12x



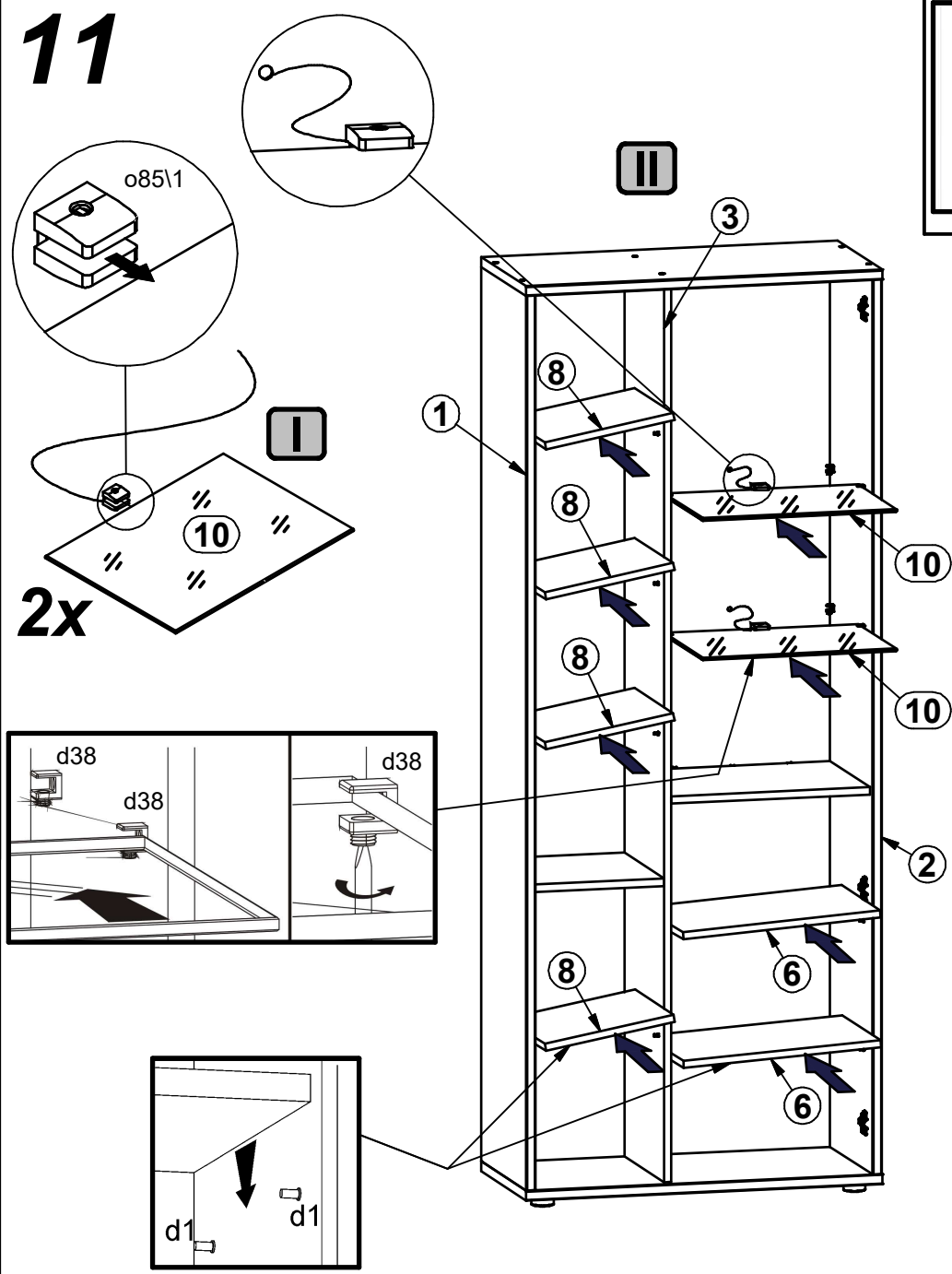
2x



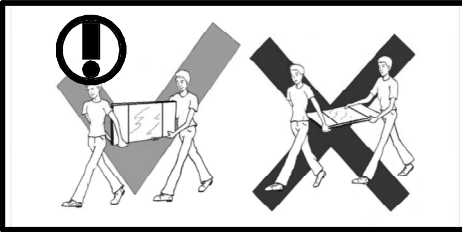
⚠ A=B



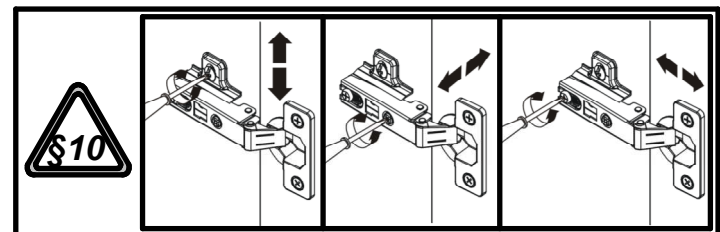
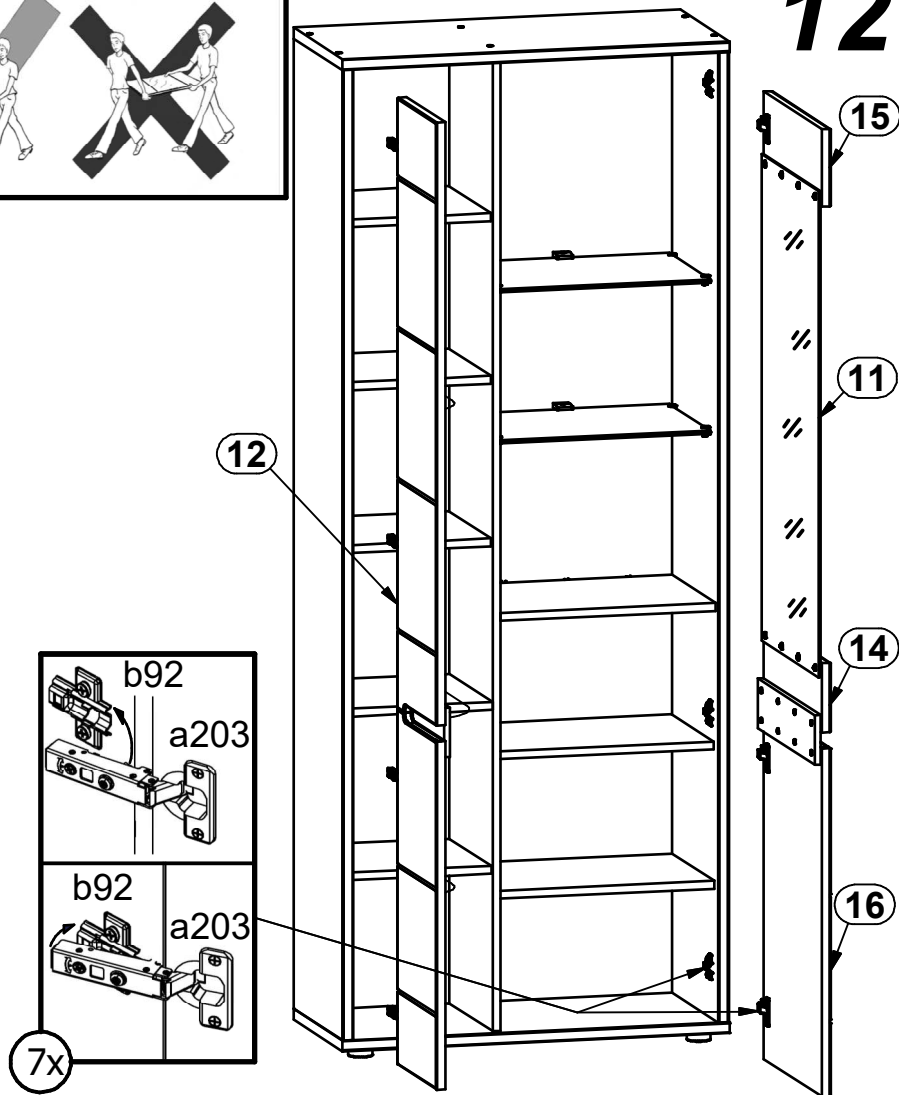
11



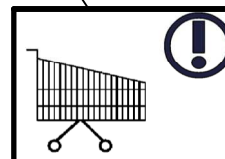
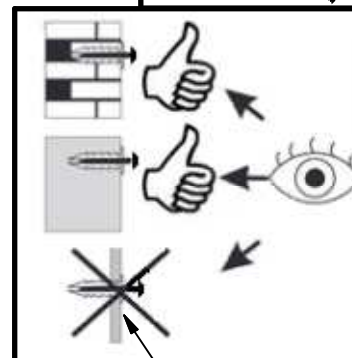
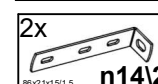
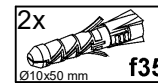
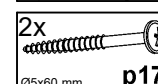
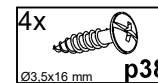
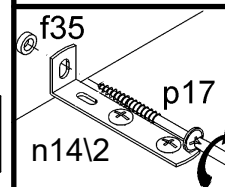
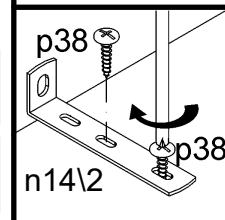
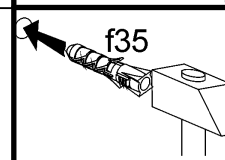
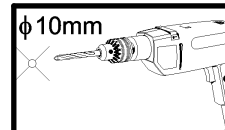
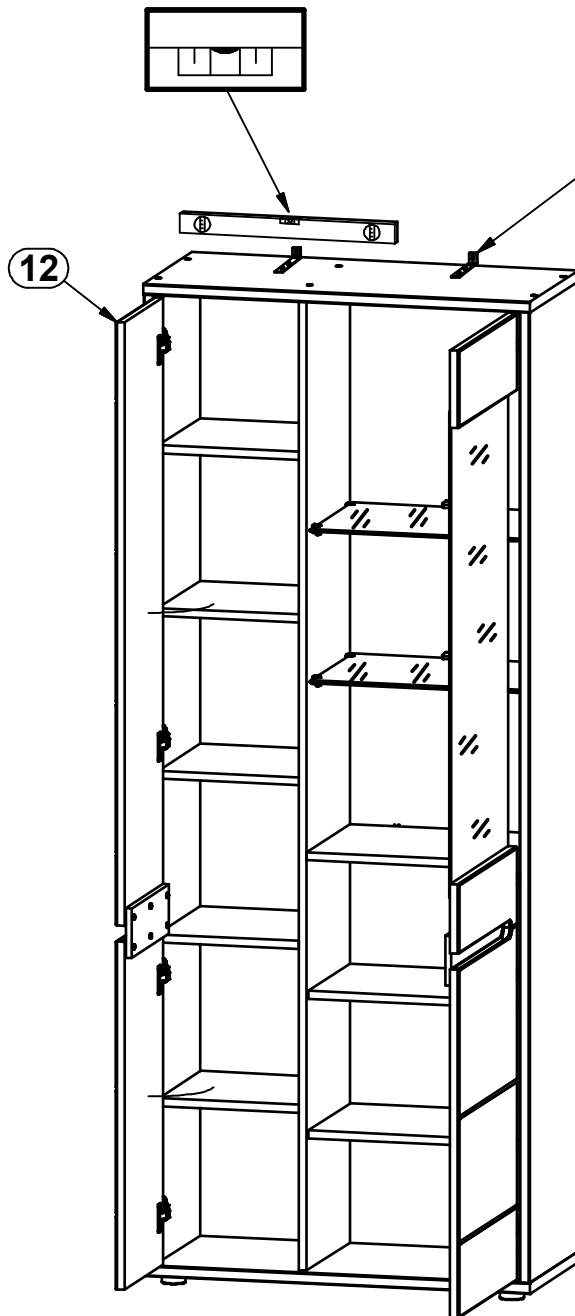
2x

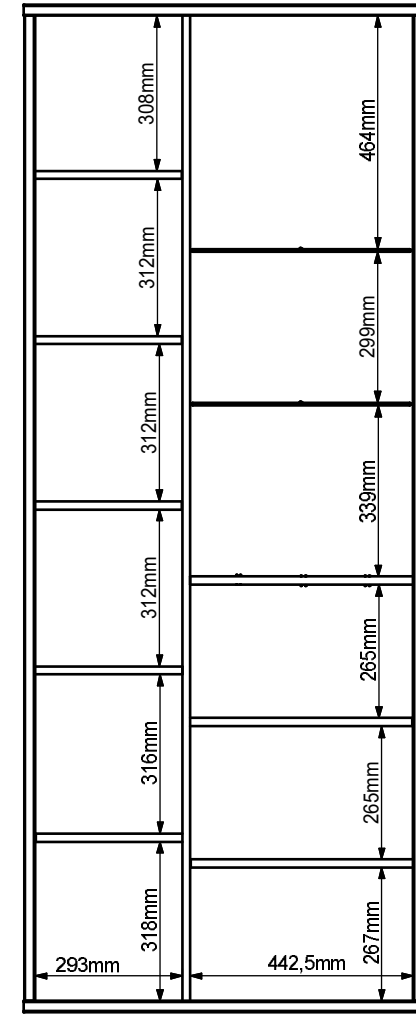
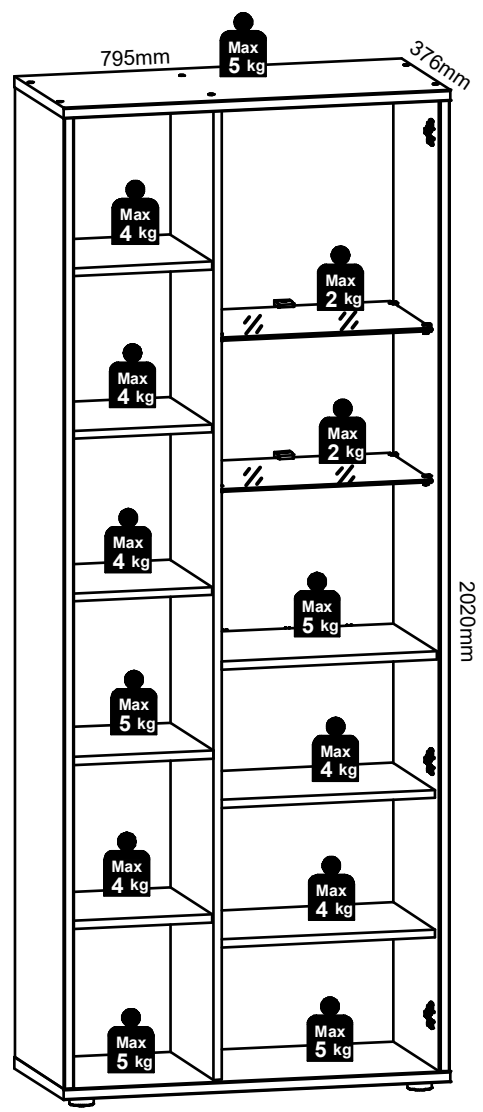


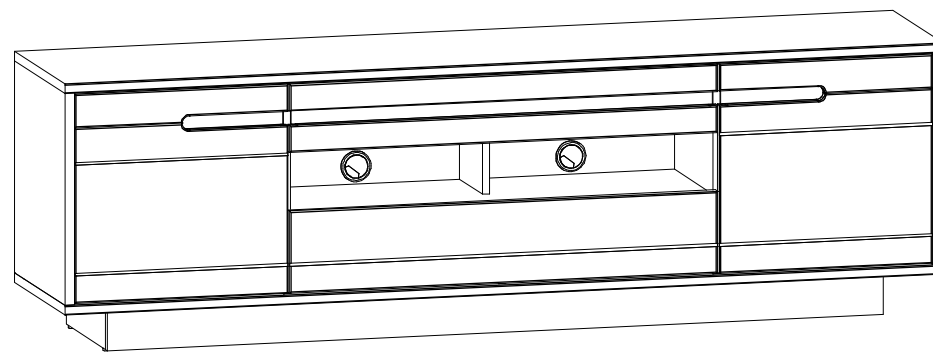
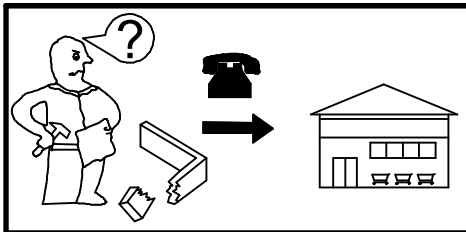
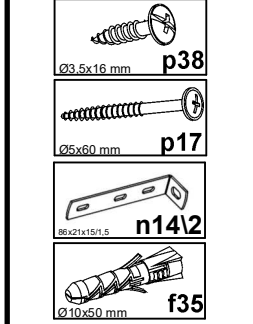
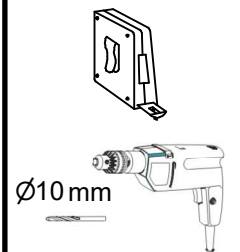
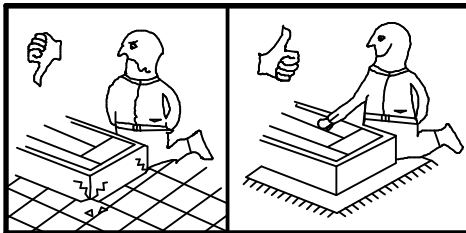
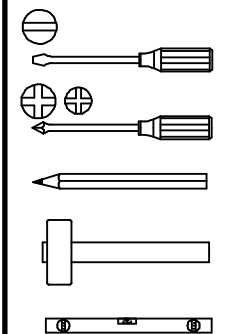
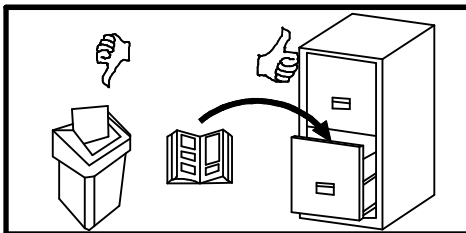
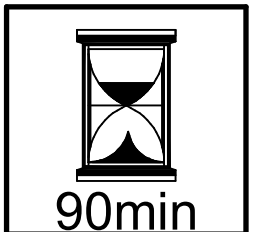
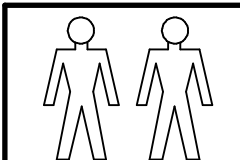
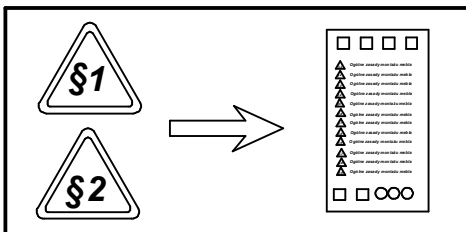
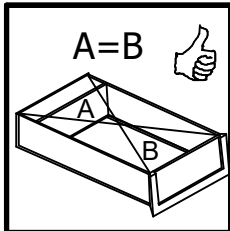
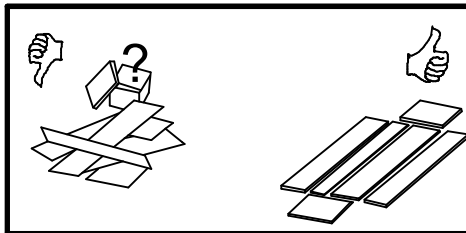
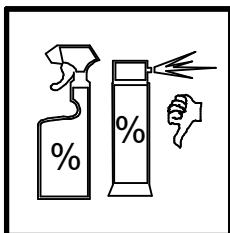
12

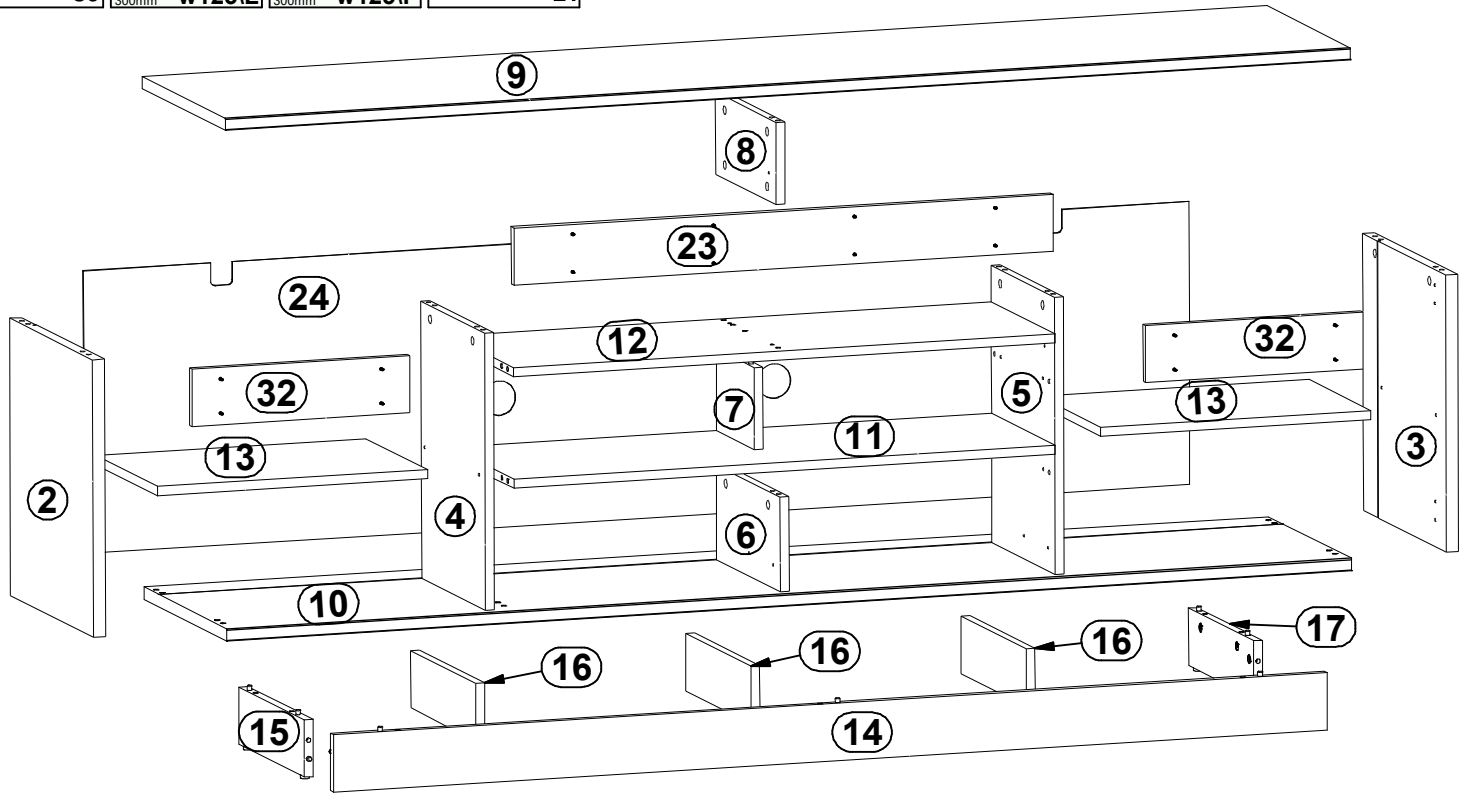
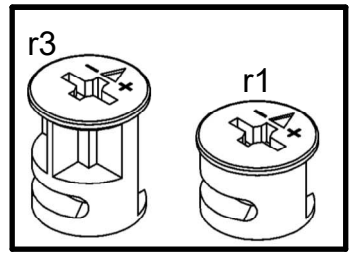
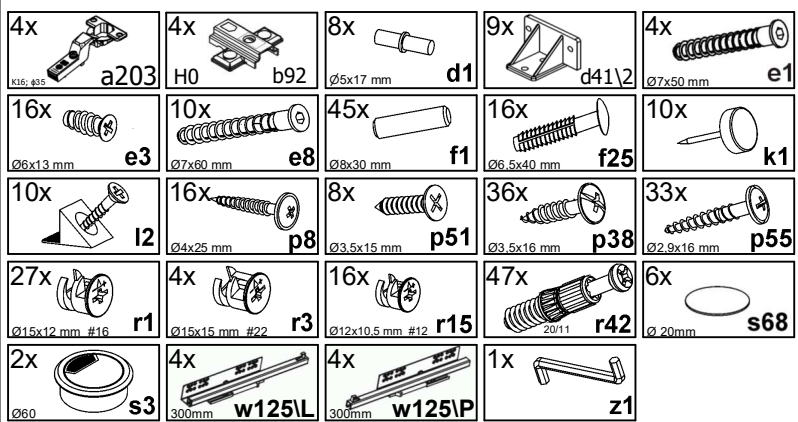
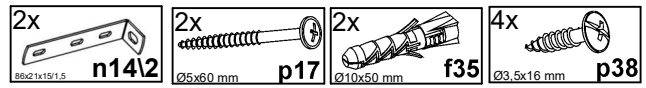


13









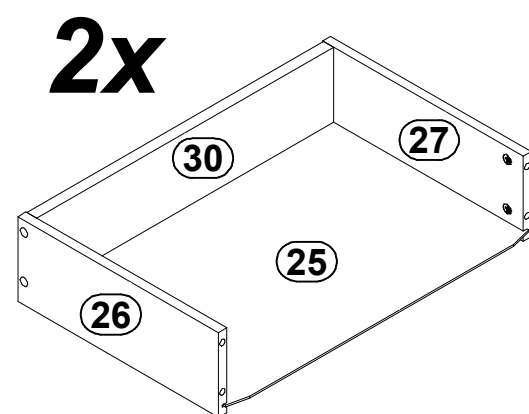
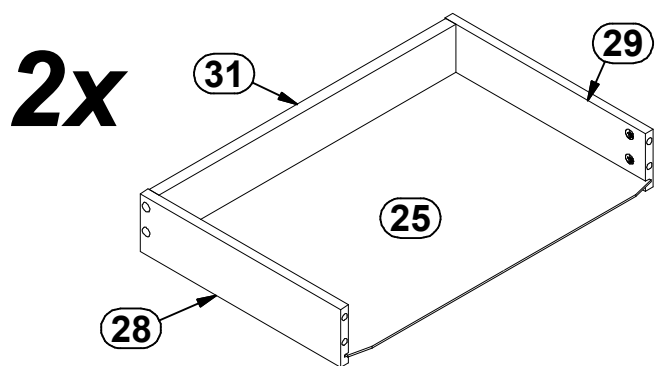
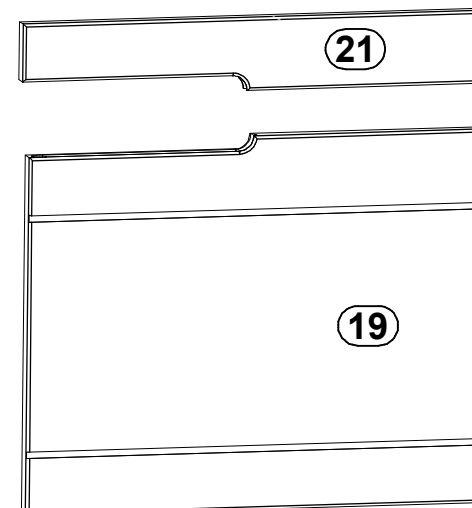
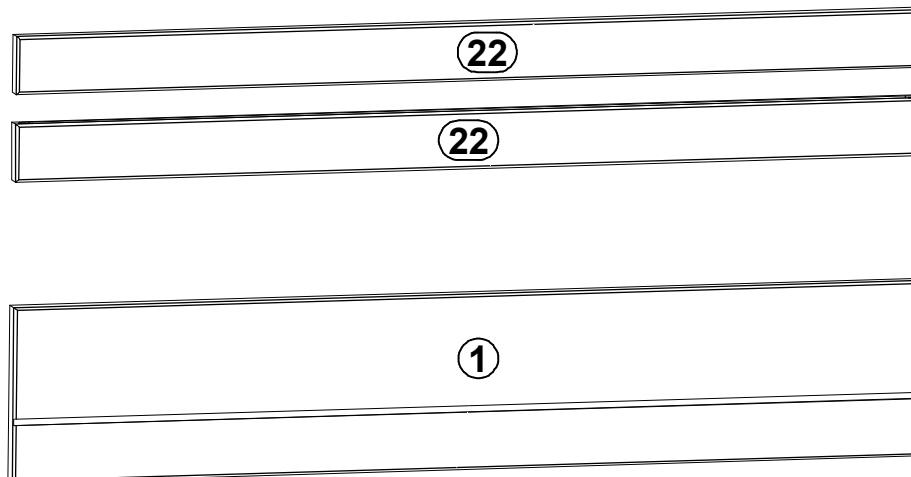
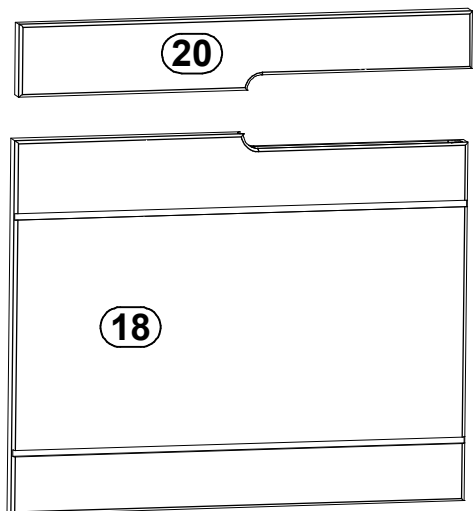
A	B	C1	C2	C3	D
1	S551-0010	996	188	19	3/4
2	S551-1017	484	438	22	1/4
3	S551-1018	484	438	22	1/4
4	S551-1019	484	336	16	3/4
5	S551-1020	484	336	16	3/4
6	S551-1021	165	336	16	3/4
7	S551-1022	143	200	16	1/4
8	S551-1023	144	320	16	3/4
9	S551-2011	2045	440	22	2/4
10	S551-2012	2045	440	22	4/4
11	S551-3016	984	336	16	3/4
12	S551-3017	984	336	16	3/4
13	S551-3018	491	326	16	3/4
14	S551-4005	1806	100	16	2/4
15	S551-4006	344	100	16	3/4
16	S551-4007	344	100	16	3/4
17	S551-4009	344	100	16	3/4
18	S551-7016	496	400	19	1/4
19	S551-7017	496	400	19	1/4
20	S551-7018	496	78	19	3/4
21	S551-7019	496	78	19	3/4
22	S551-7020	996	62	19	3/4
23	S551-7308	980	100	16	3/4
24	S551-9011	2010	494	2,5	2/4
25	WSP-9438	454	308	2,5	3/4
26	ZQ6-517	300	110	12	1/4
27	ZQ6-518	300	110	12	1/4
28	ZQ6-525	300	75	12	1/4
29	ZQ6-526	300	75	12	1/4
30	ZQ6-5288	444	97	15	1/4
31	ZQ6-5289	444	62	15	1/4
32	S551-7309	396	100	12	3/4

A

S551-RTV2D2S

10M6--31

3 /21



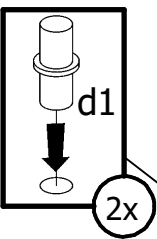
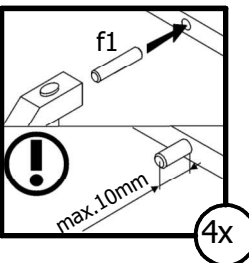
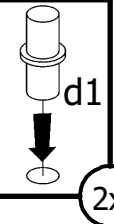
A

S551-RTV2D2S

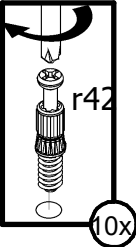
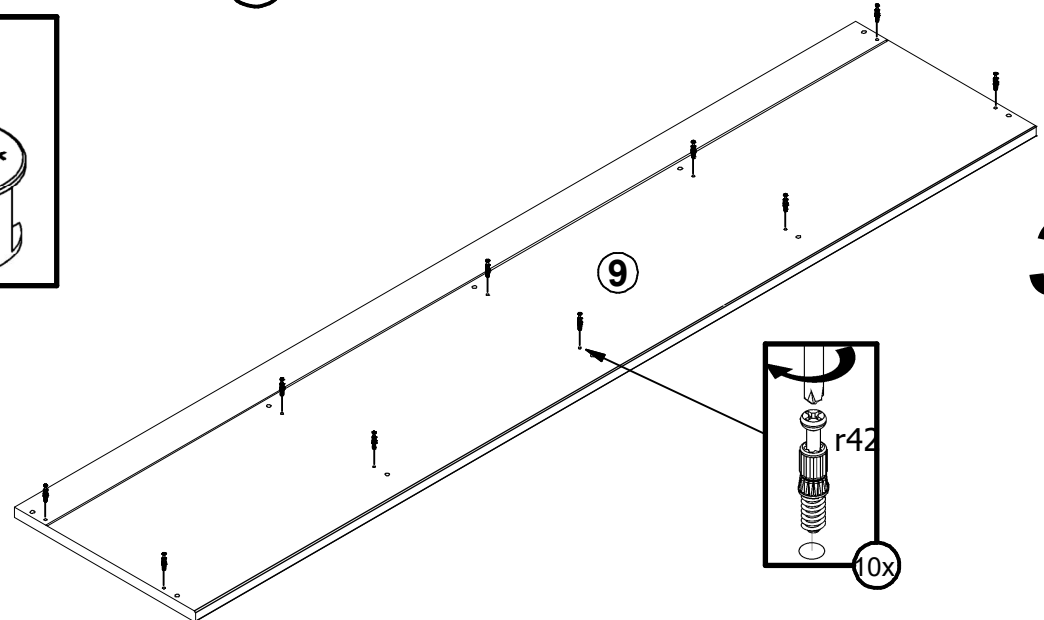
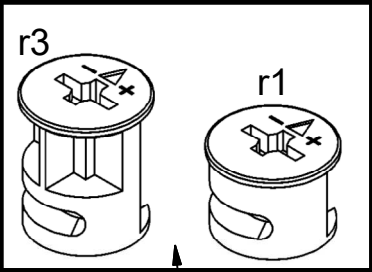
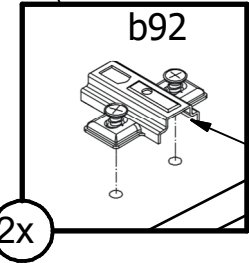
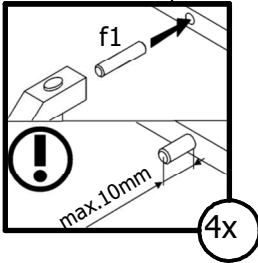
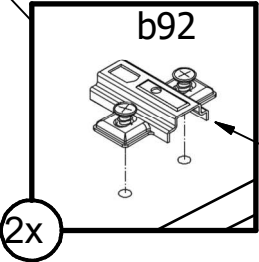
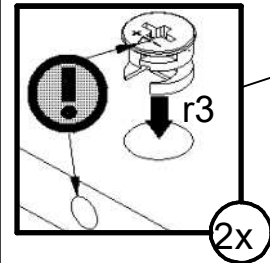
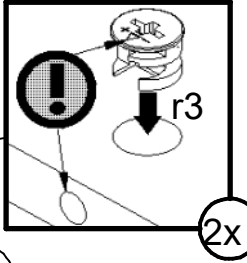
10M6--31

4 / 21

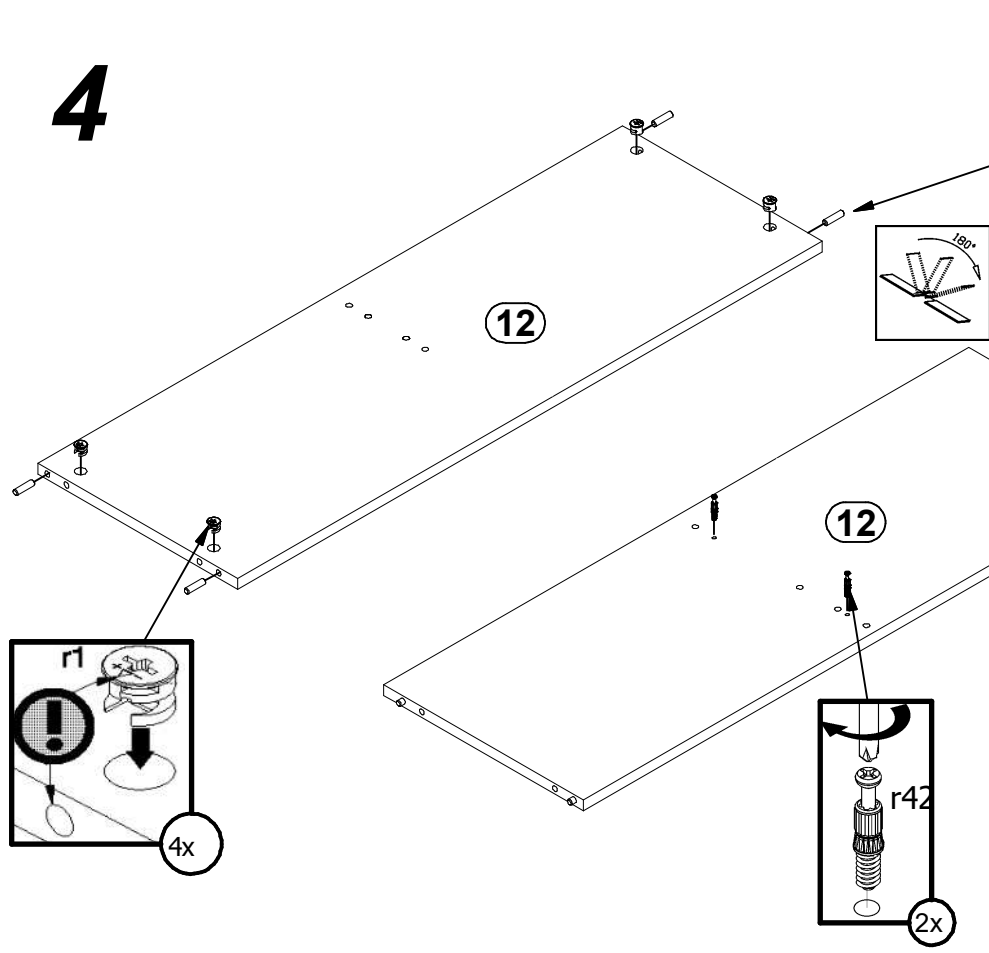
1



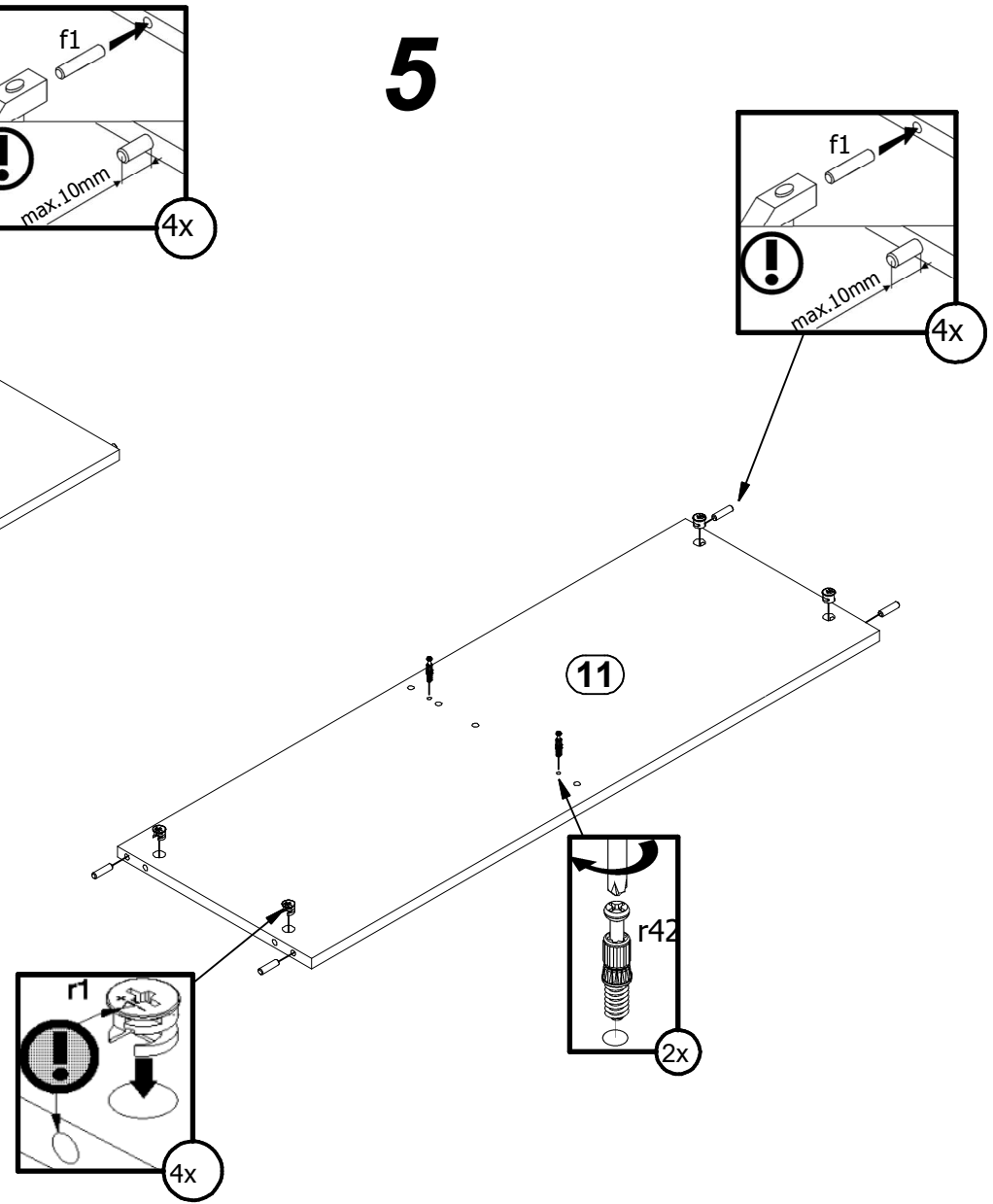
2



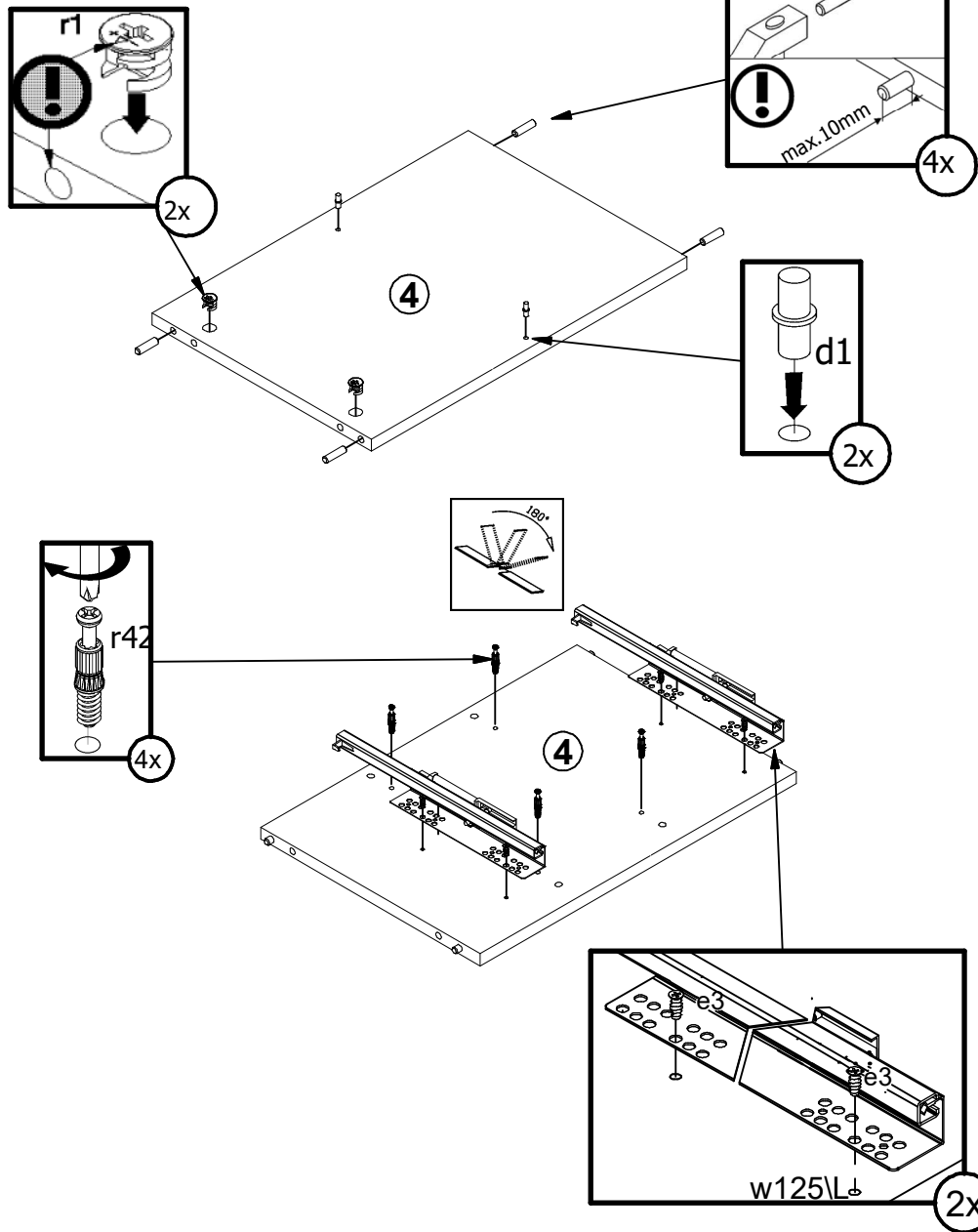
4



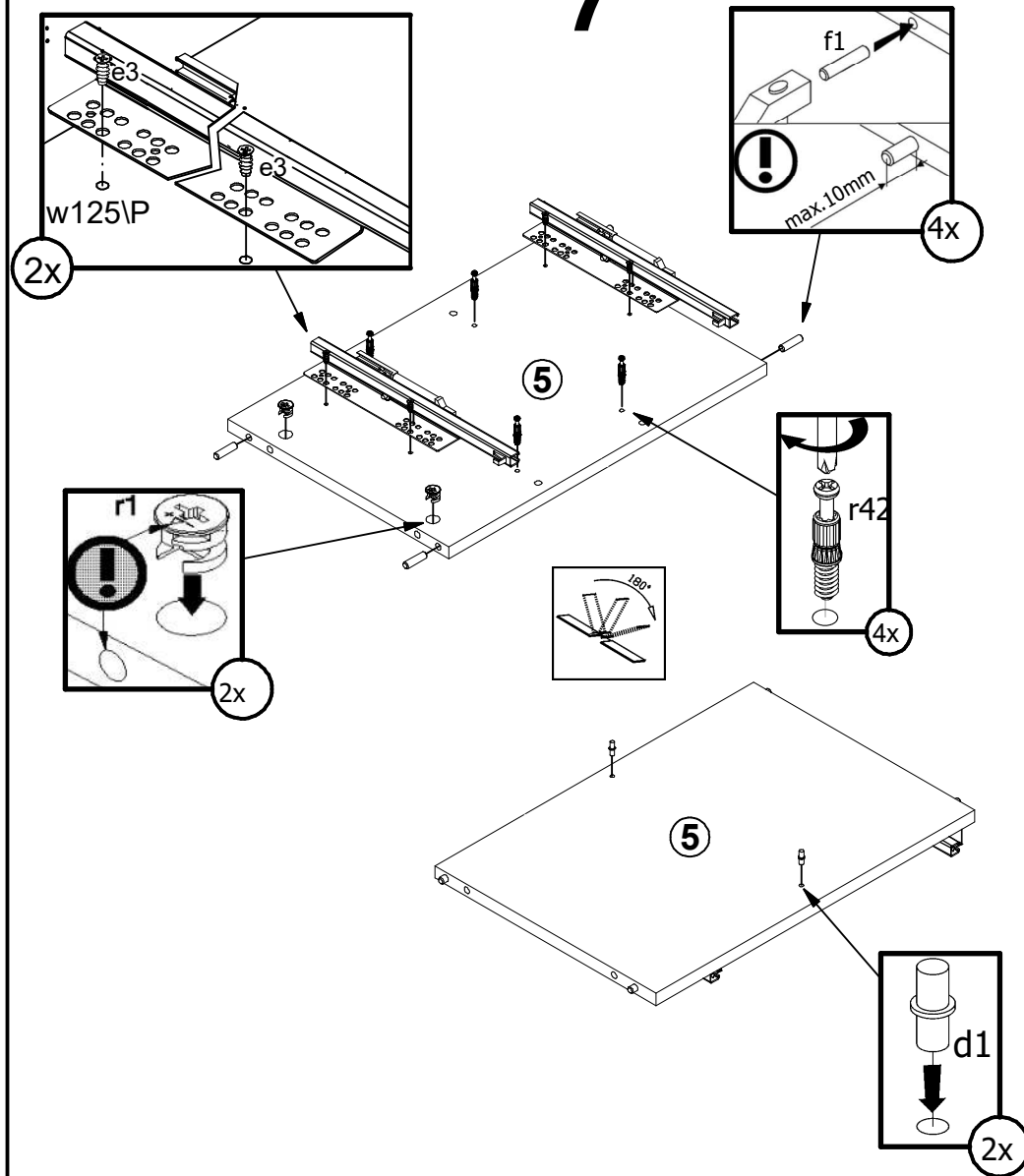
5



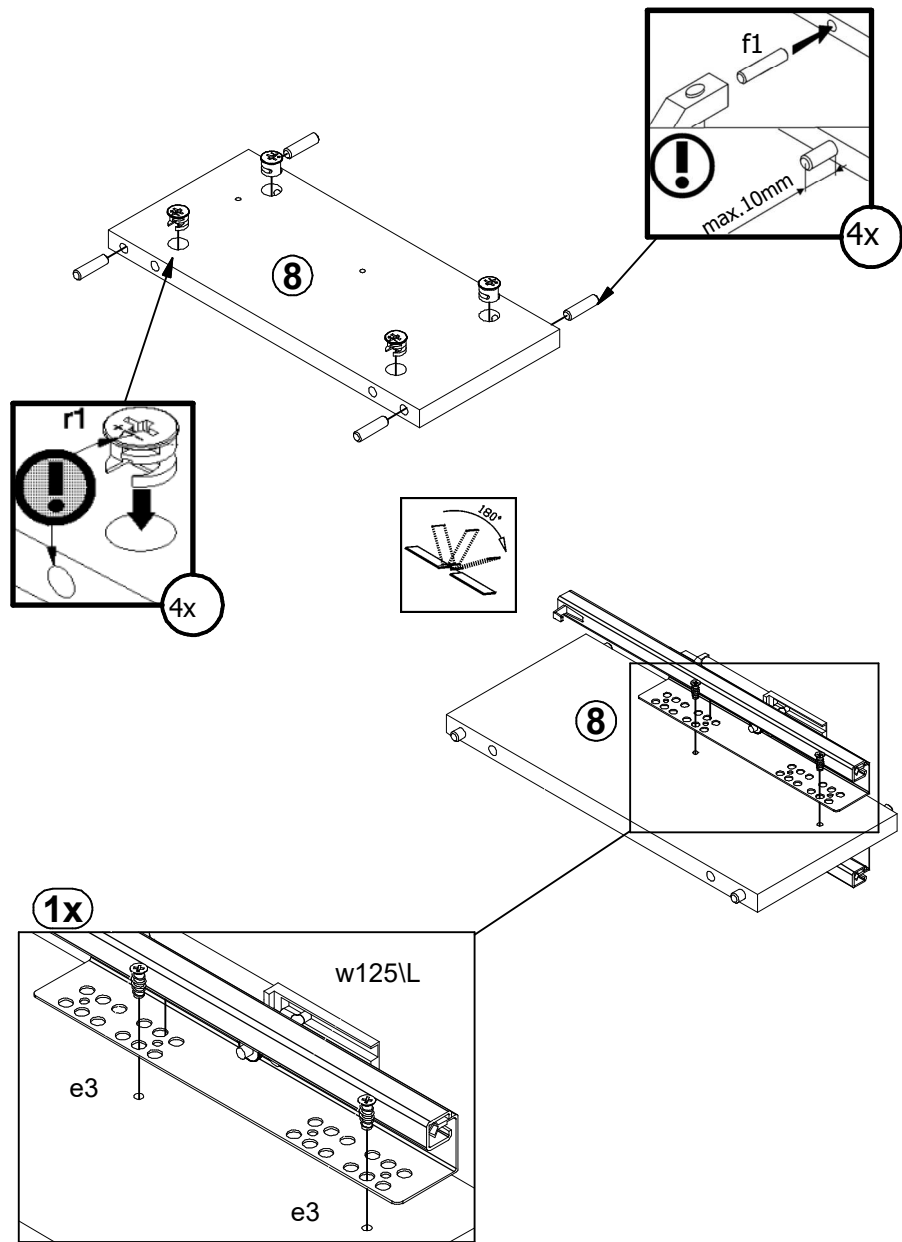
6



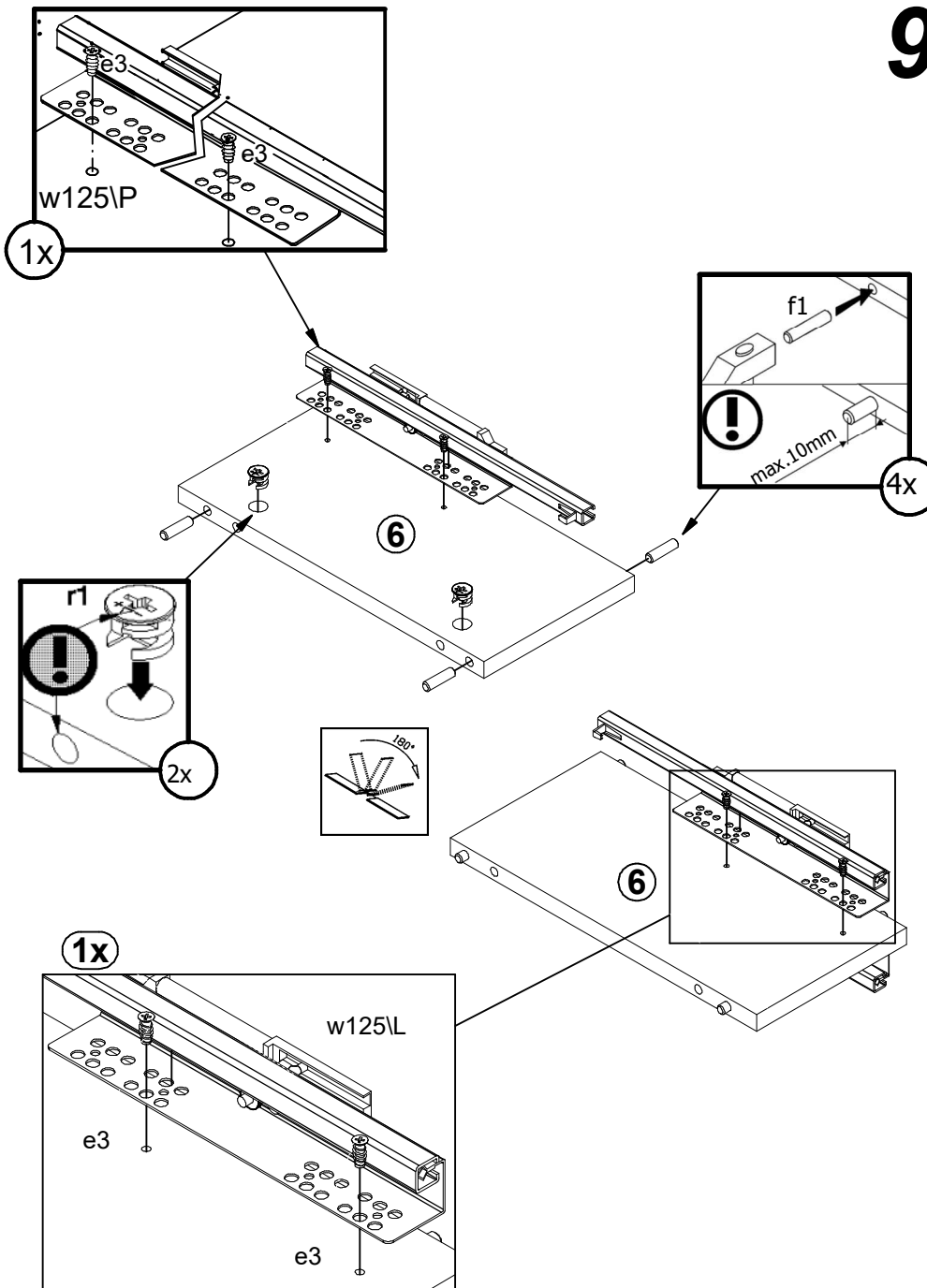
7



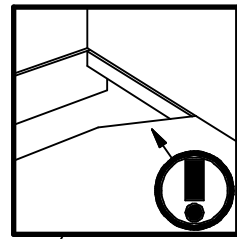
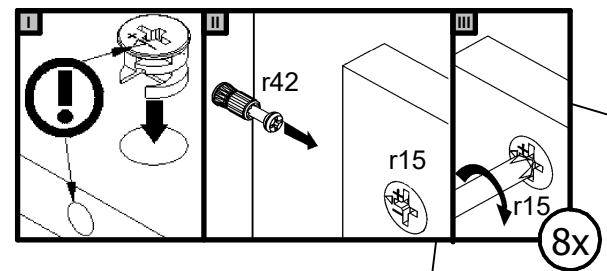
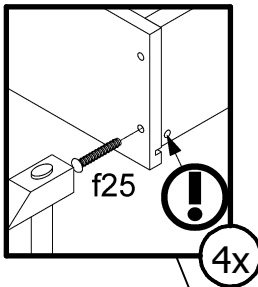
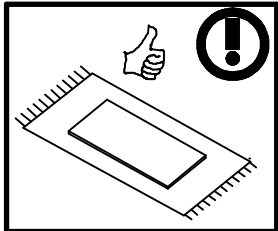
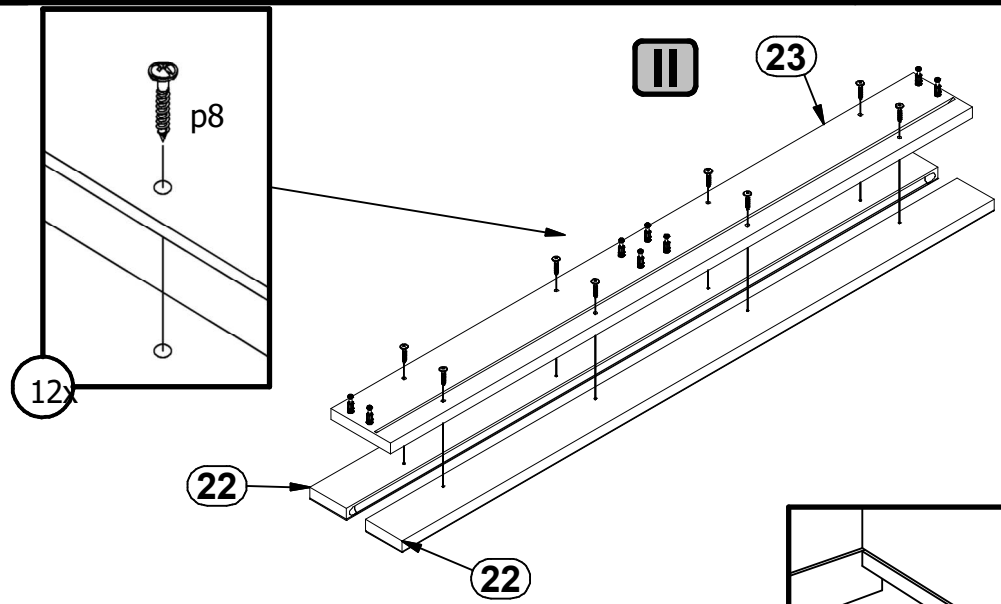
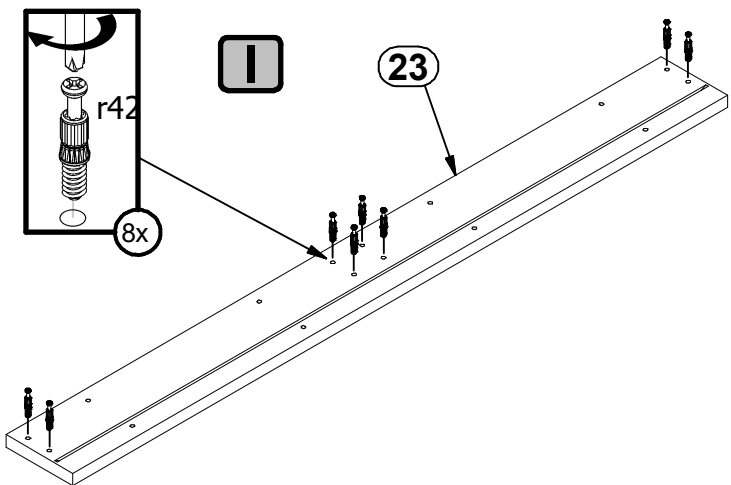
8



9

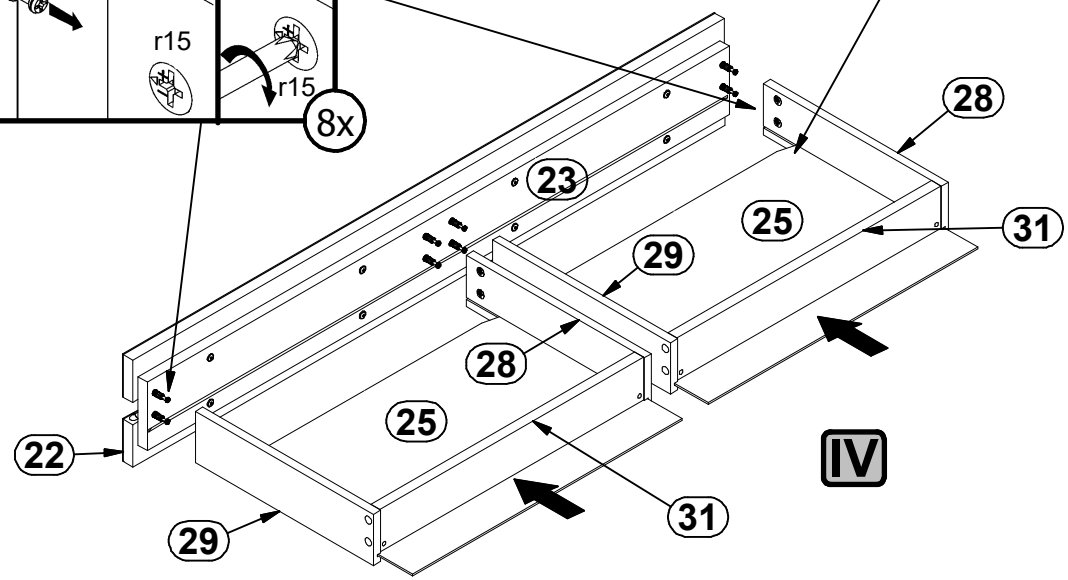
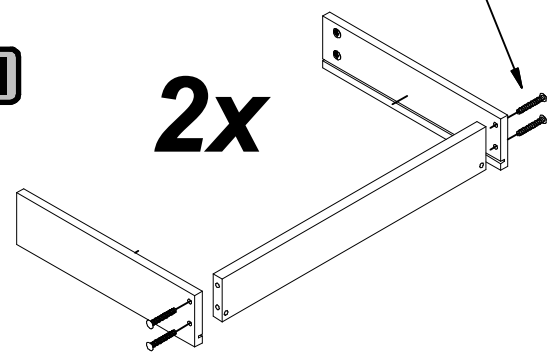


14

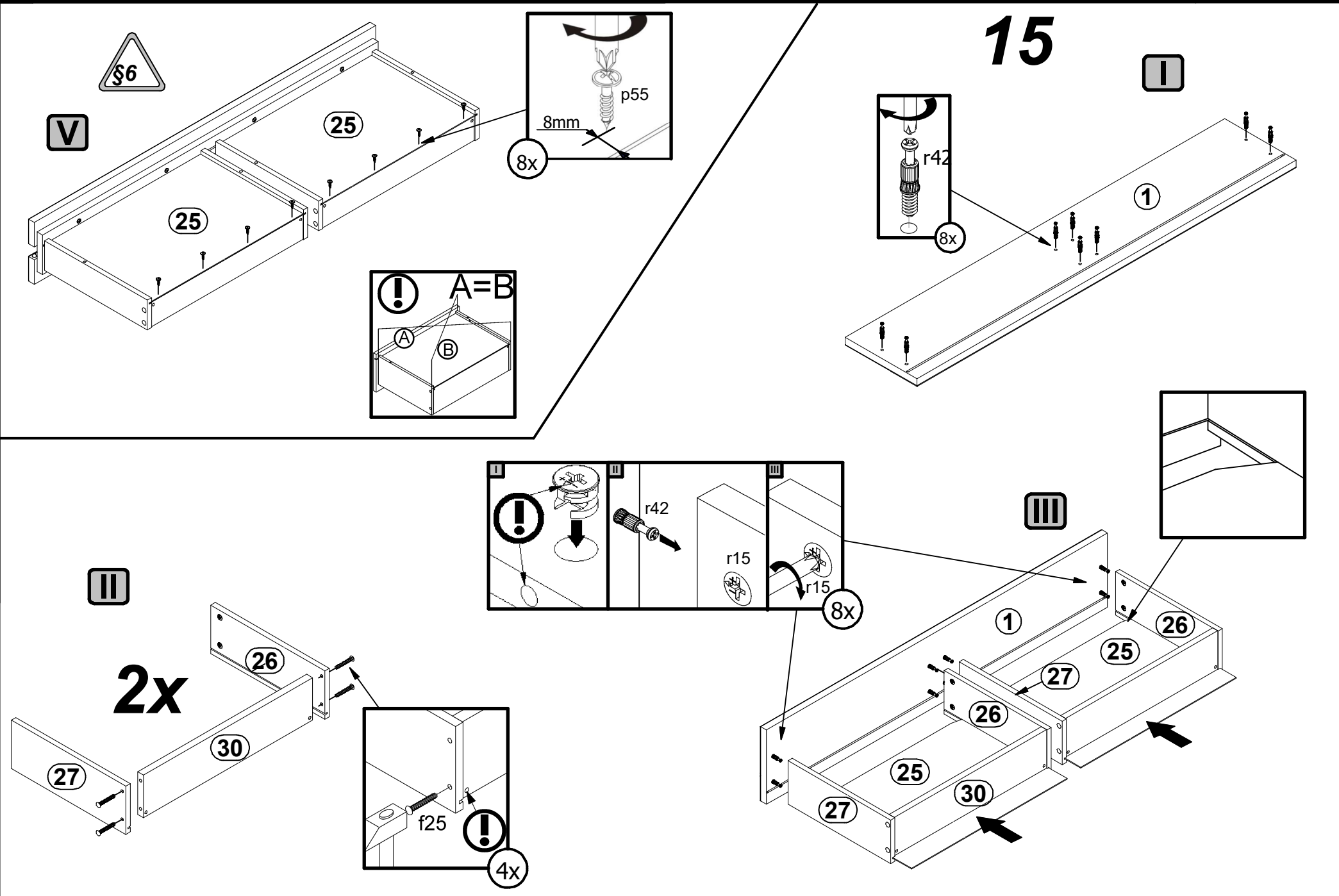


III

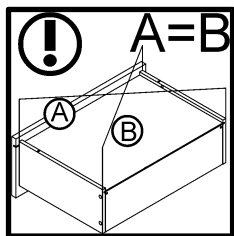
2x



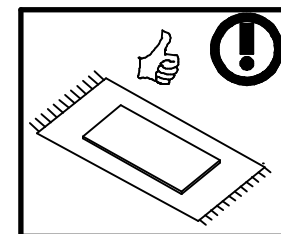
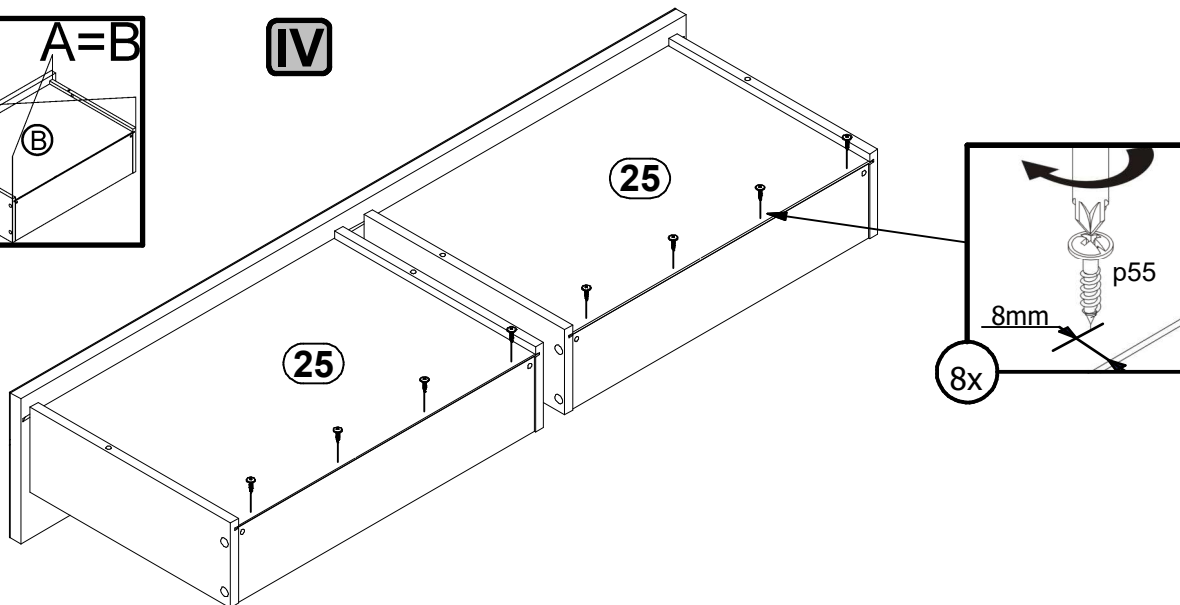
IV



16

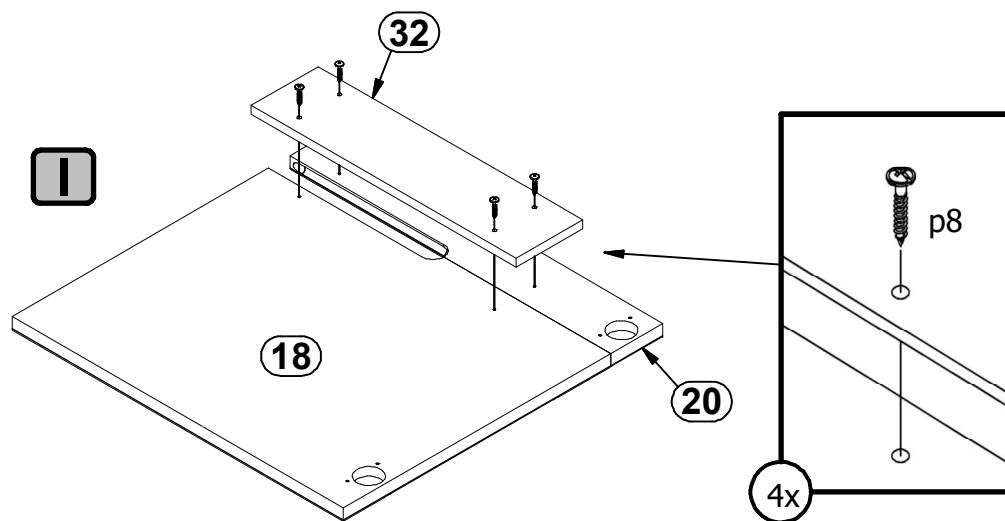


IV

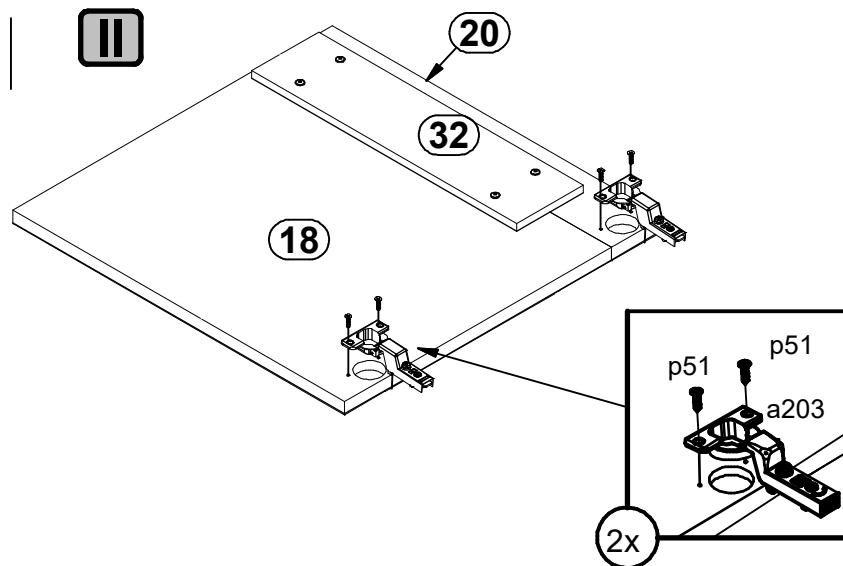


17

I

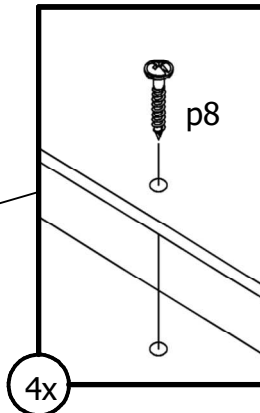
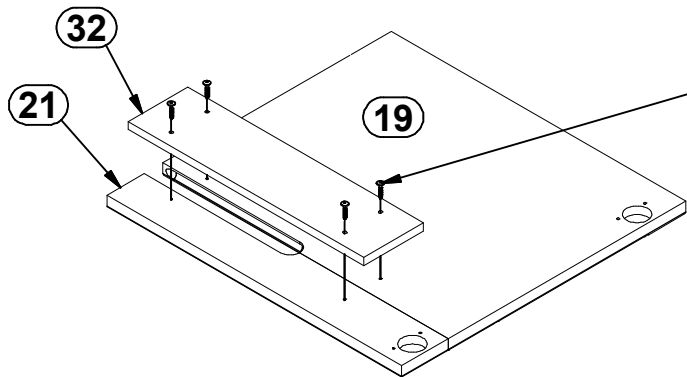


II

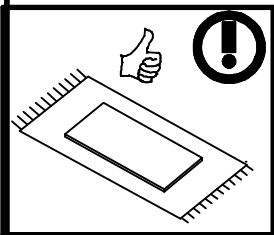
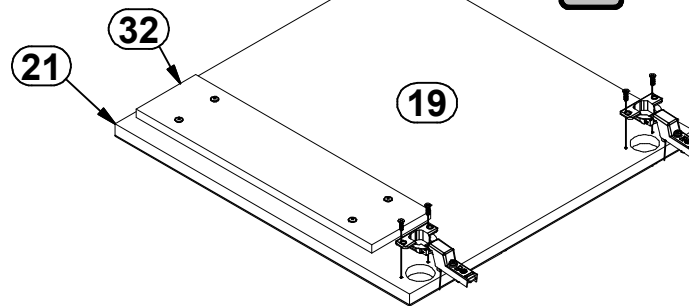


18

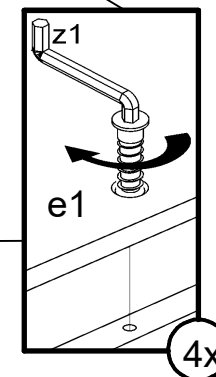
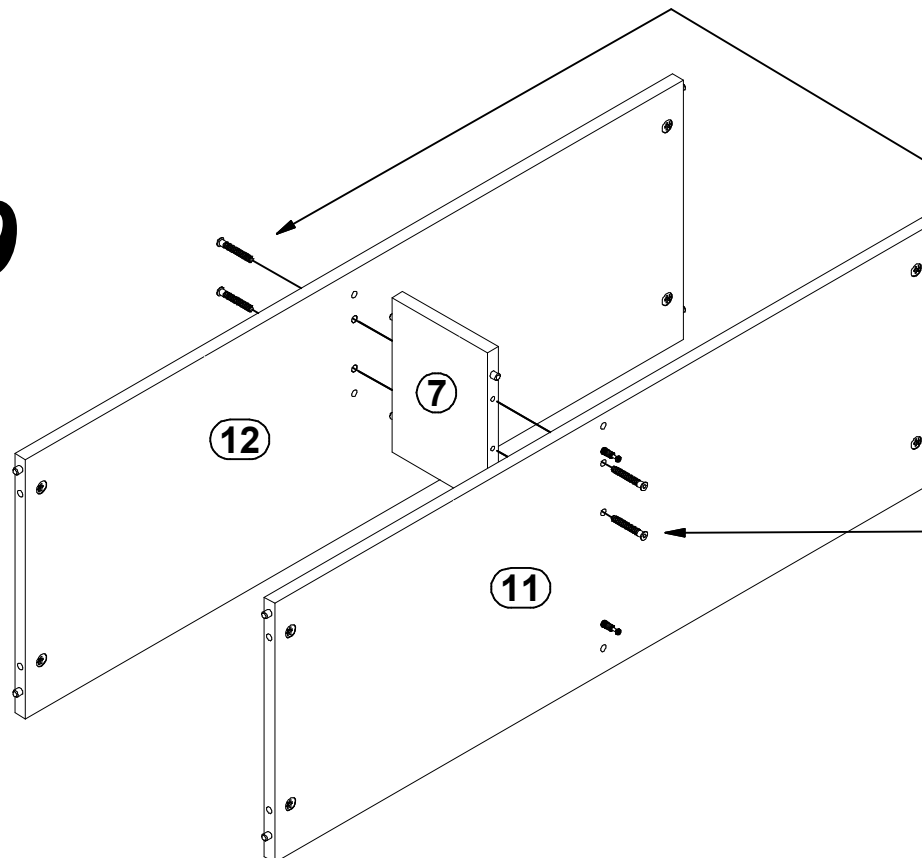
I



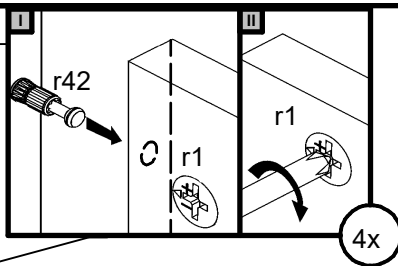
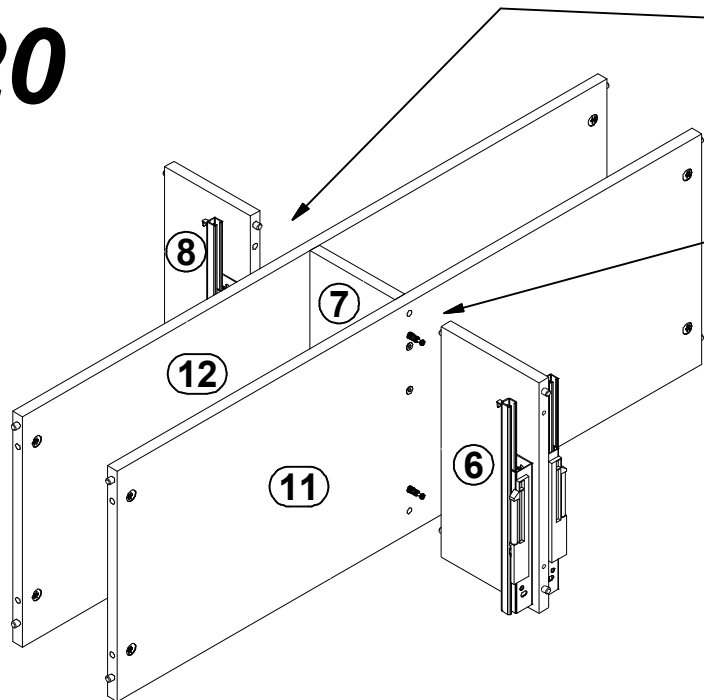
II



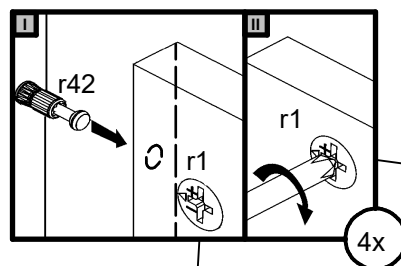
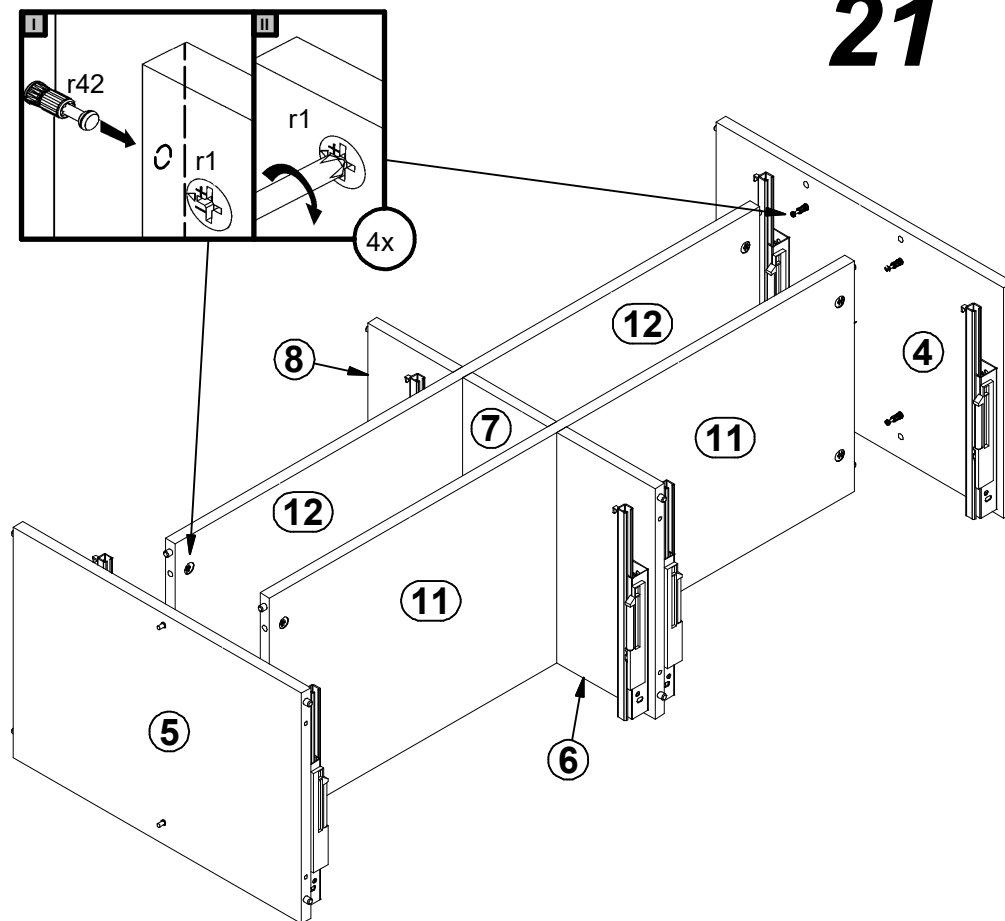
19



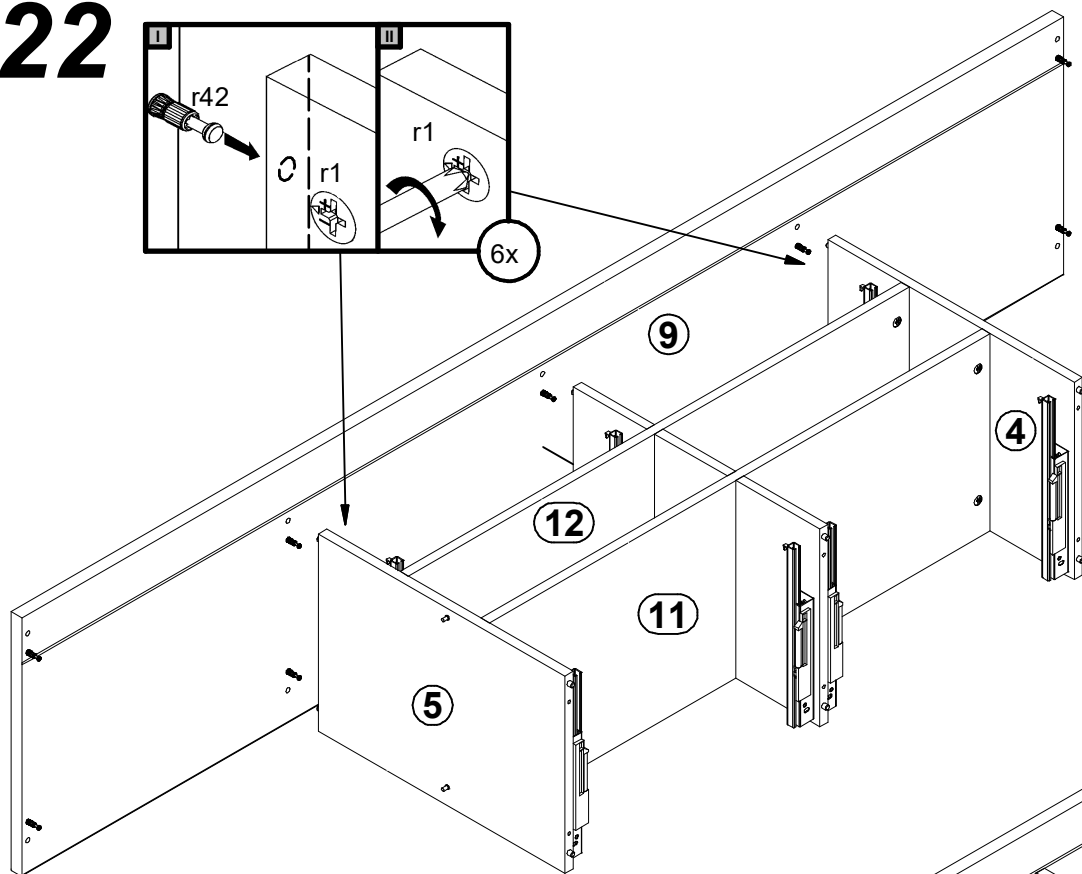
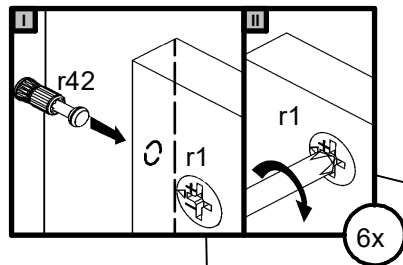
20



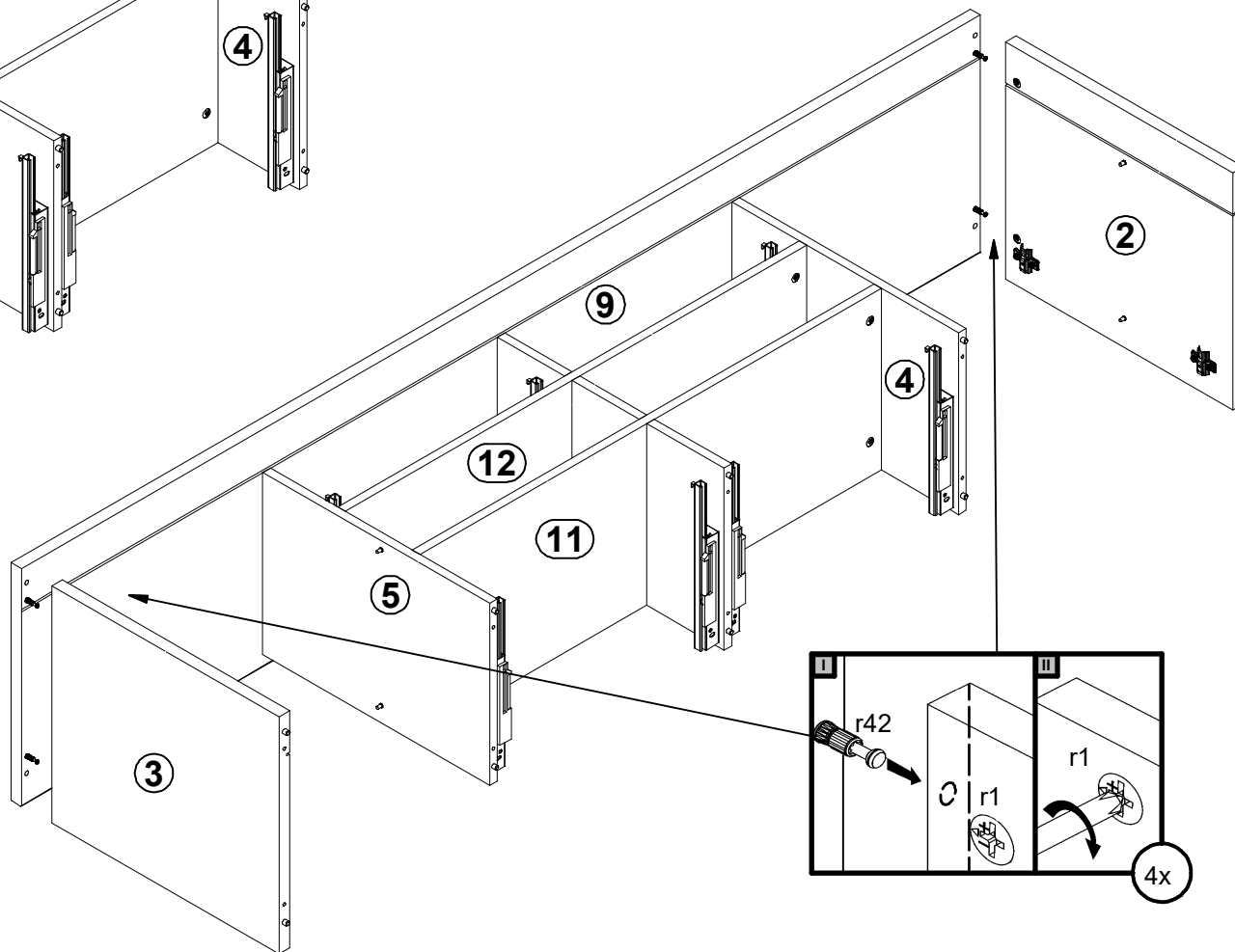
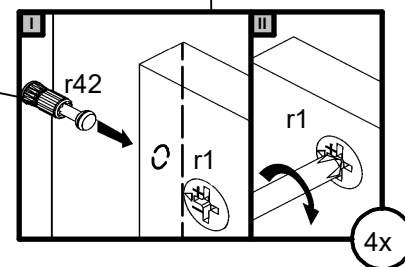
21



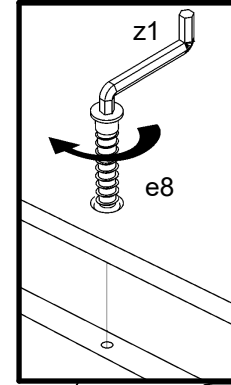
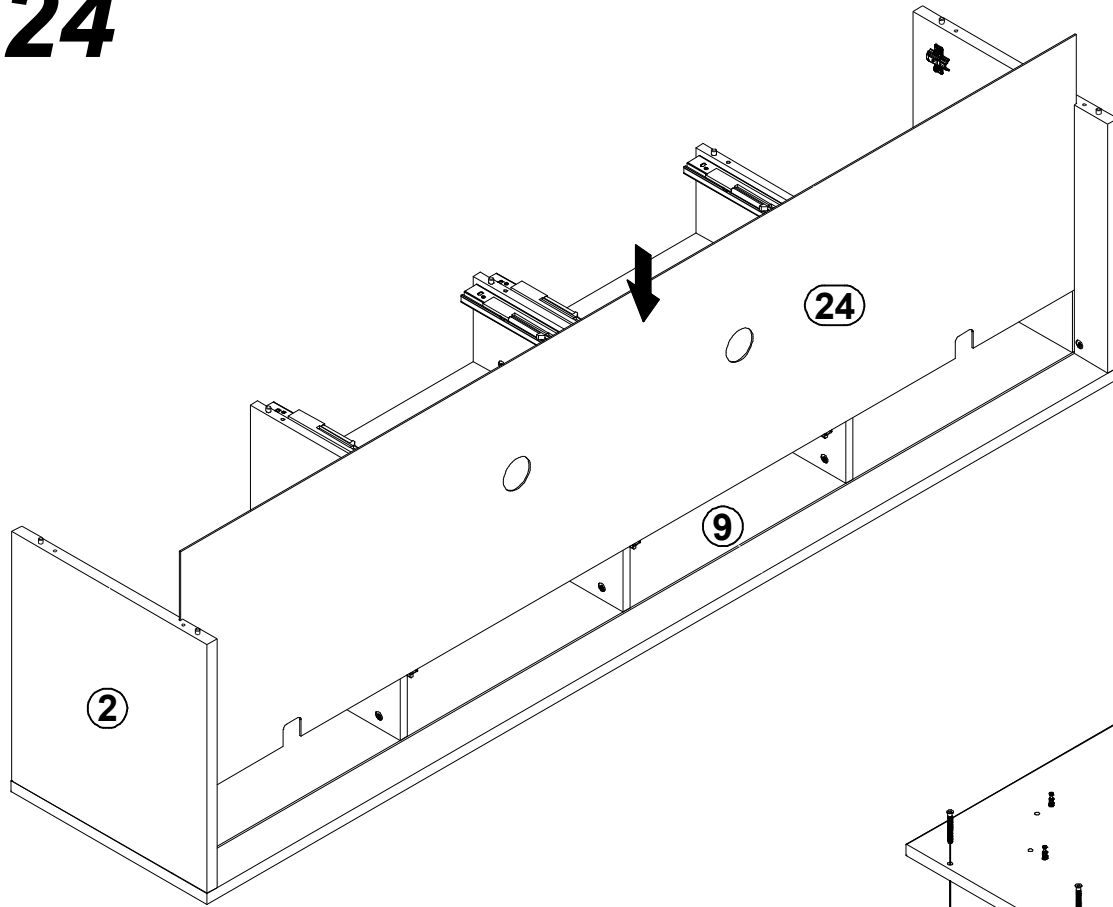
22



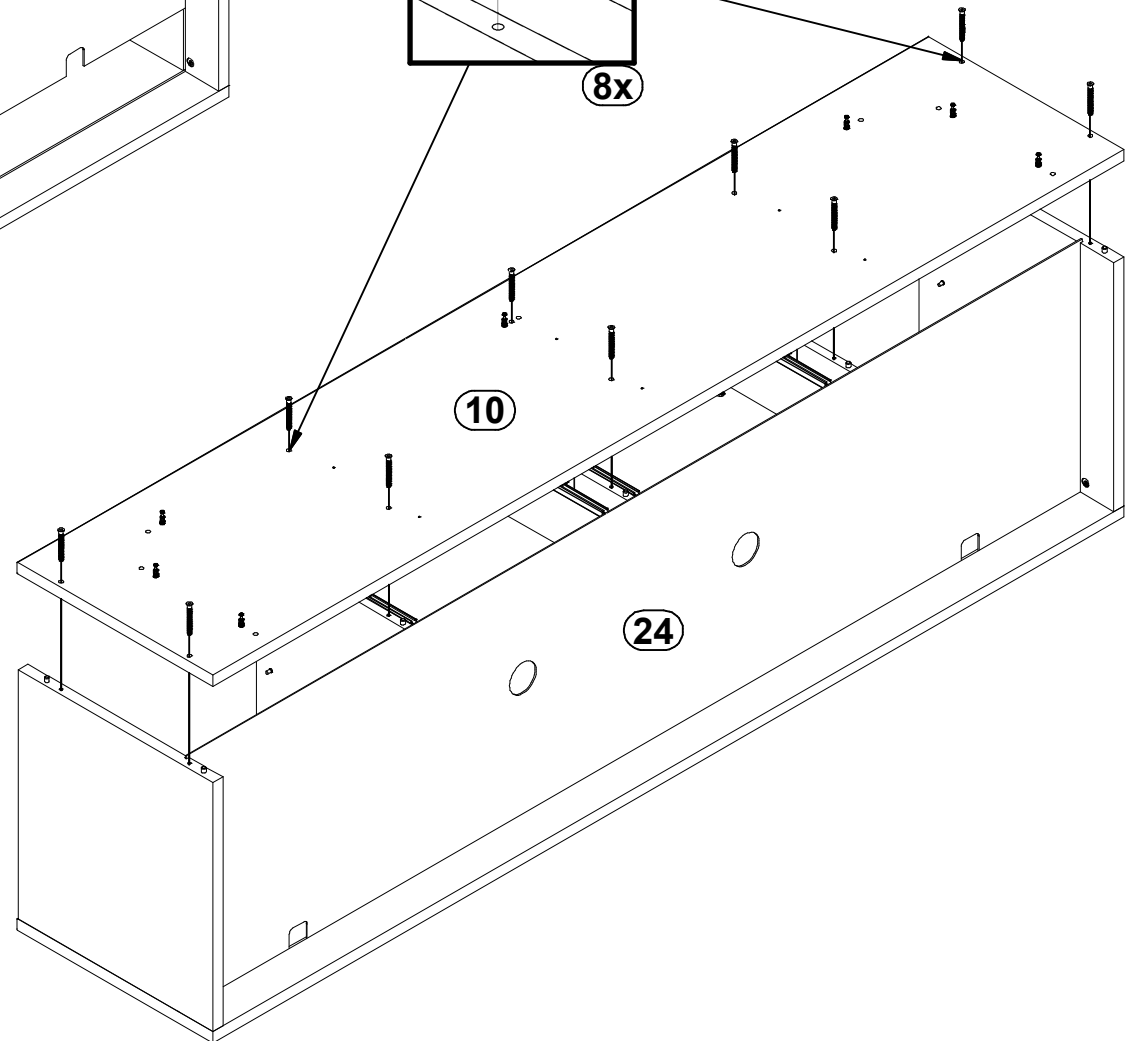
23



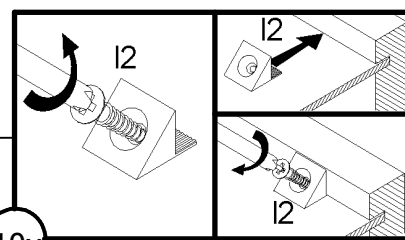
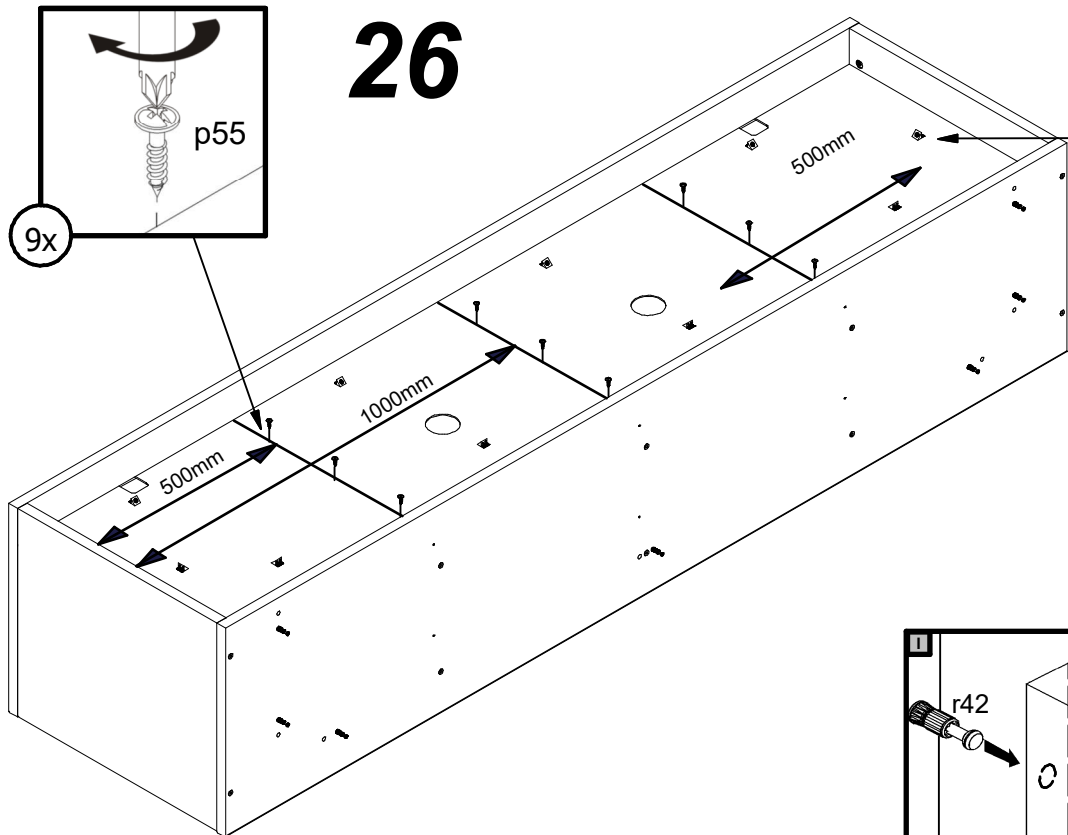
24



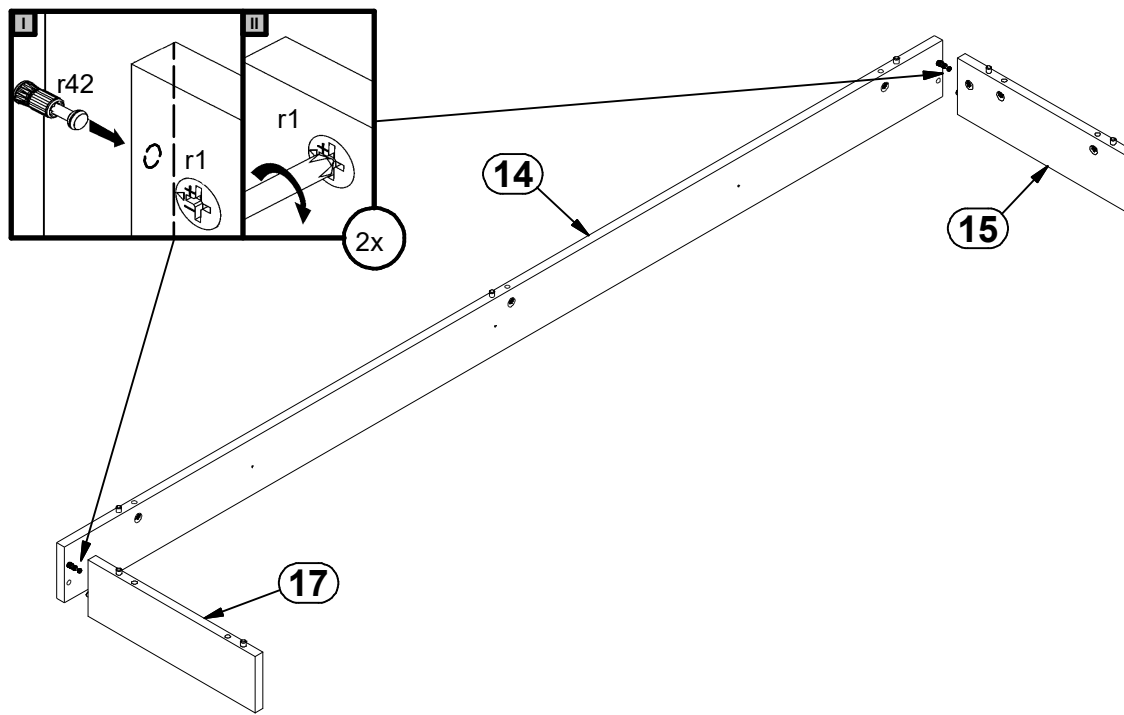
25



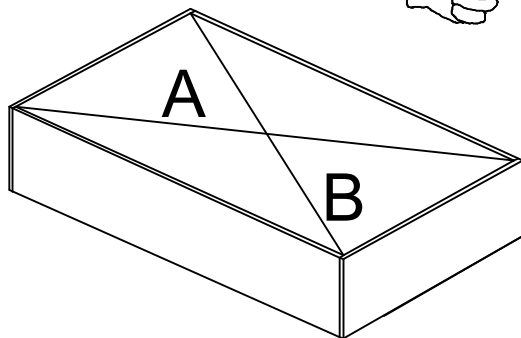
26



27

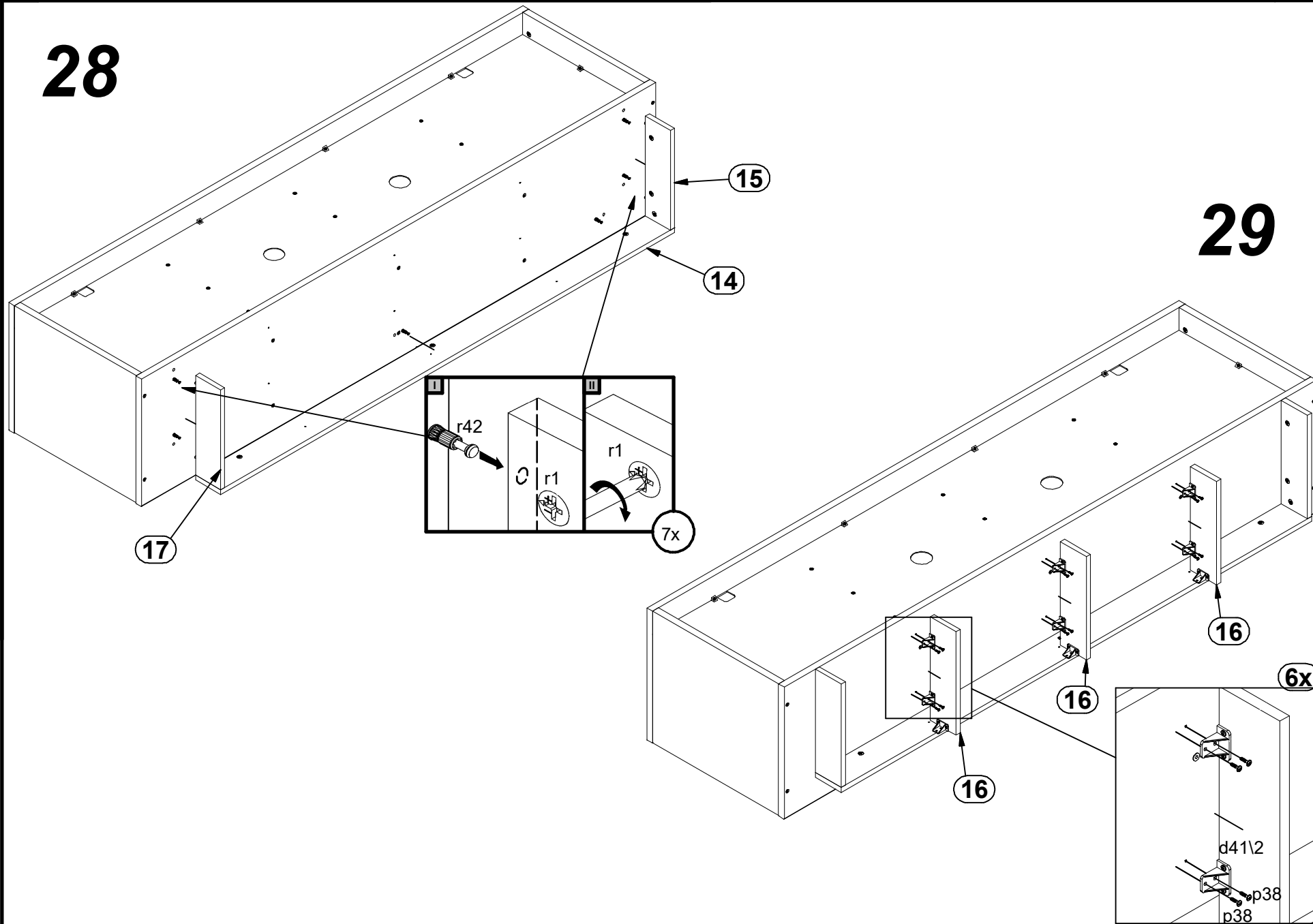


A=B

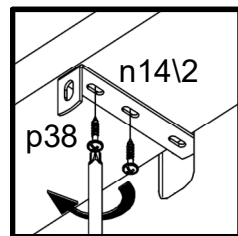
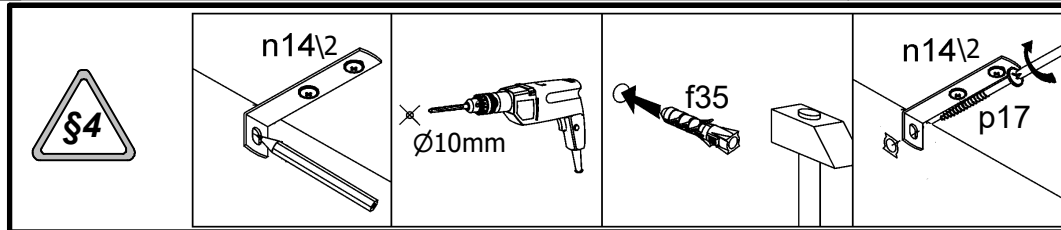
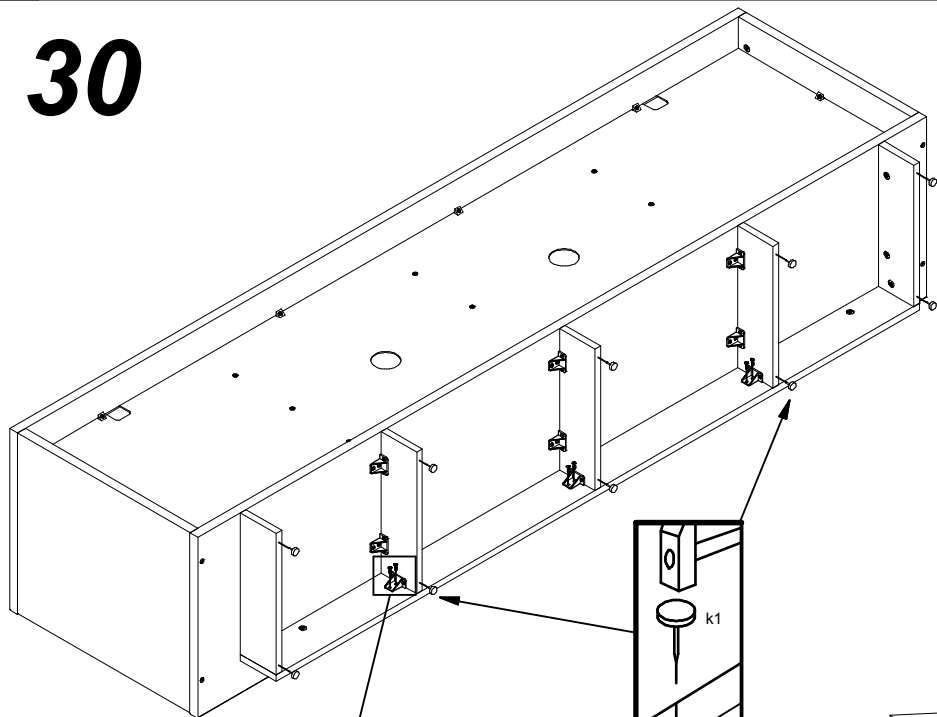


28

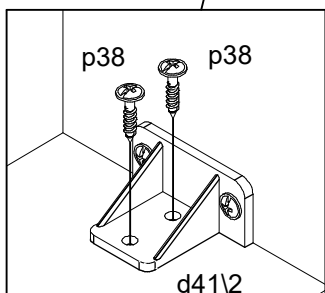
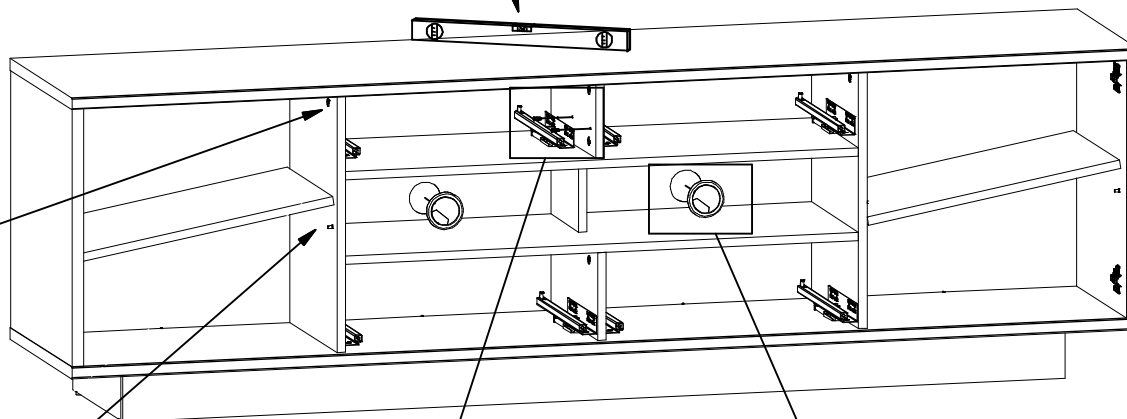
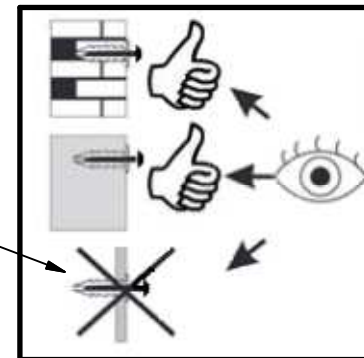
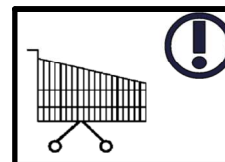
29



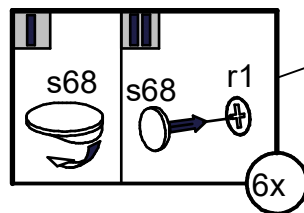
30



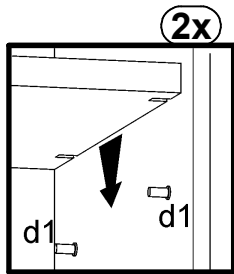
31



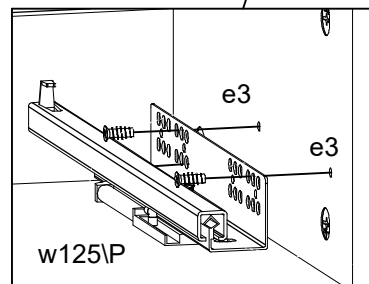
3x



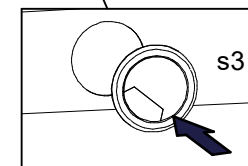
6x



2x

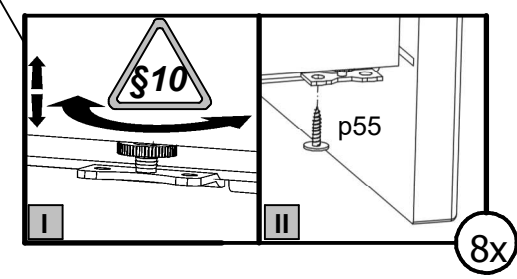
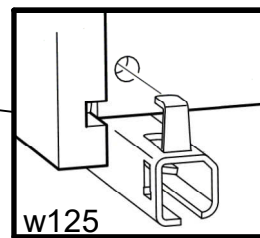
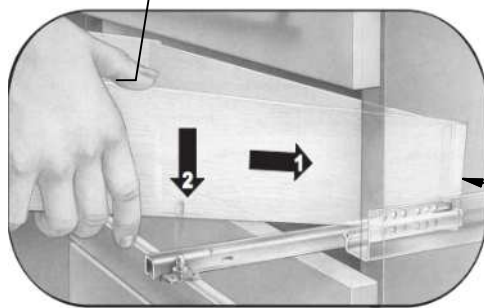
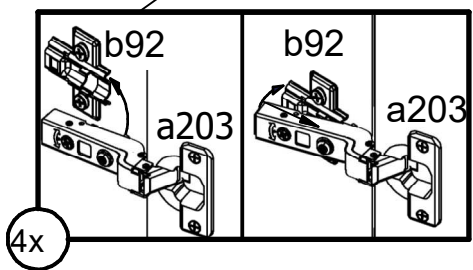
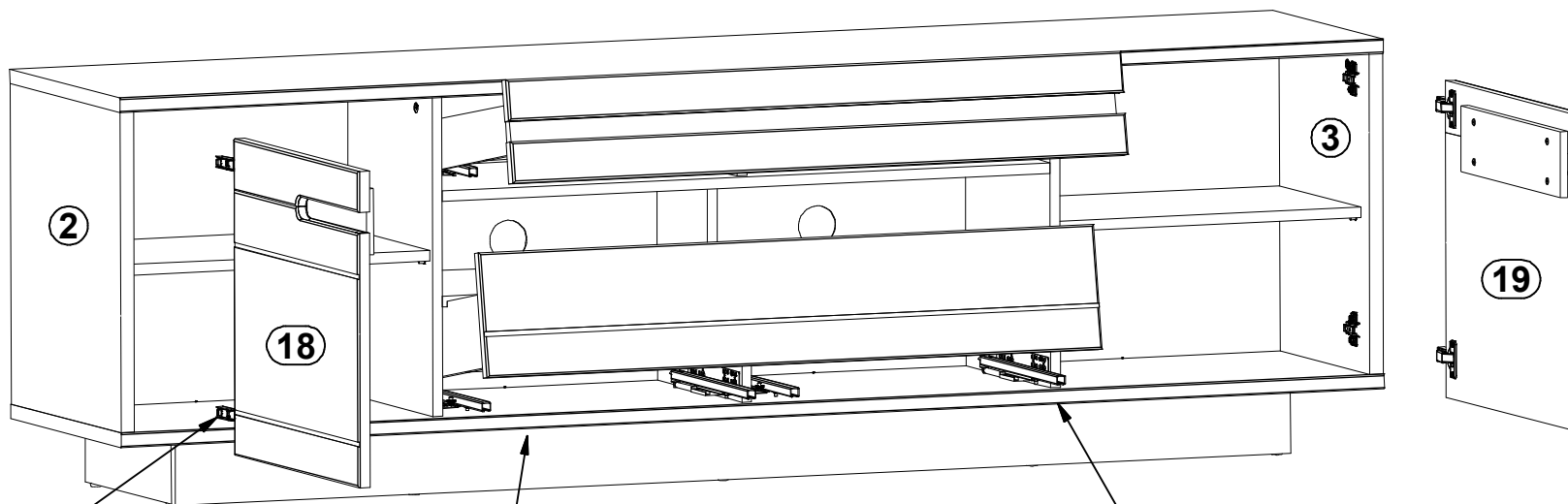


1x

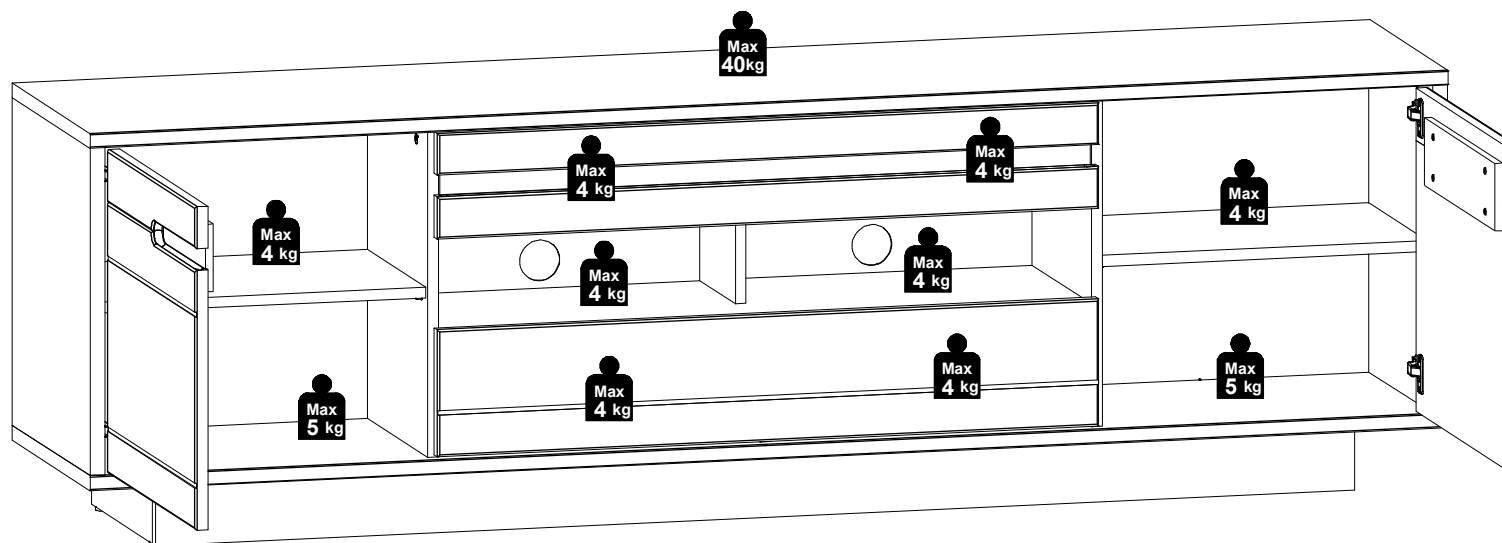
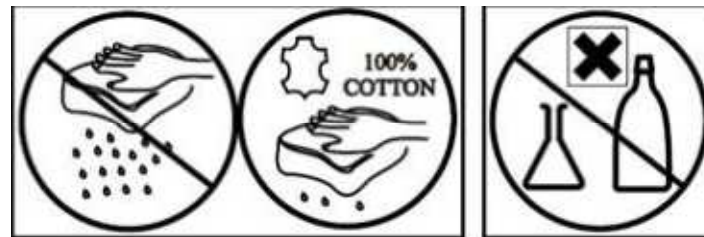


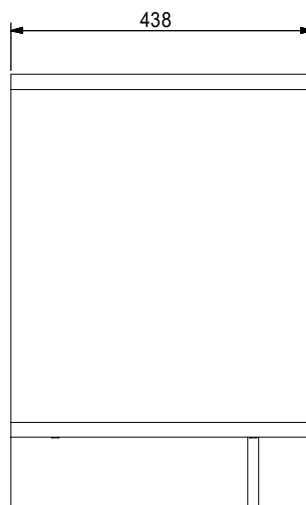
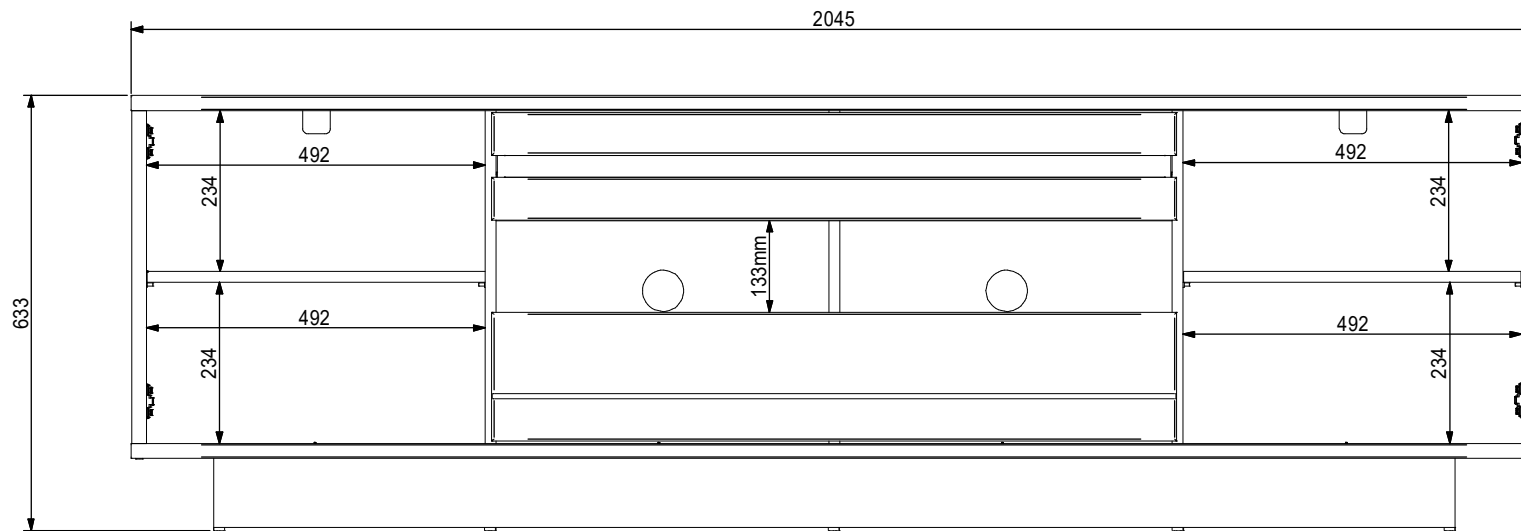
2x

32



33





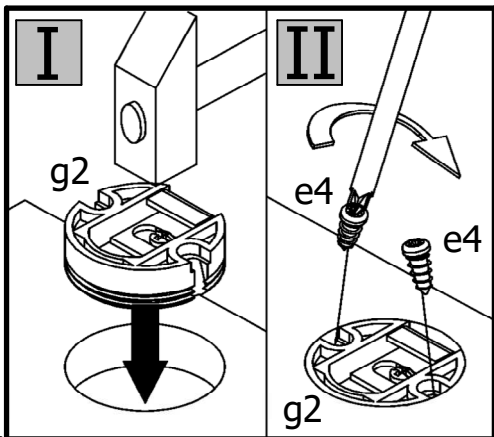
A

S551-POL

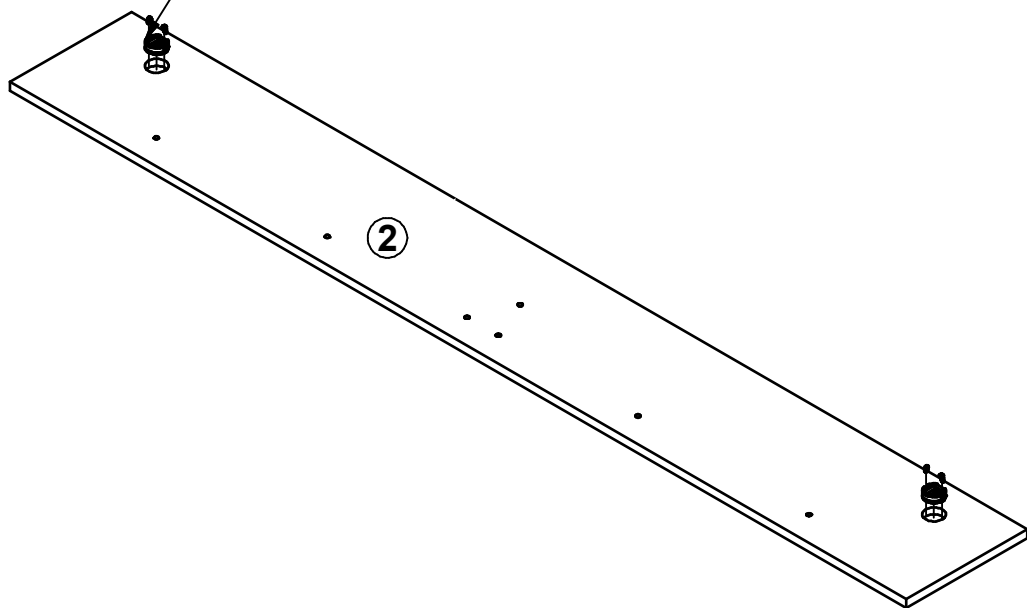
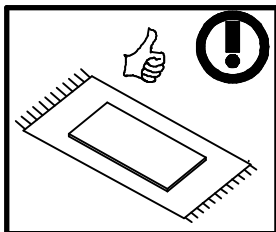
10M6--40

2 / 4

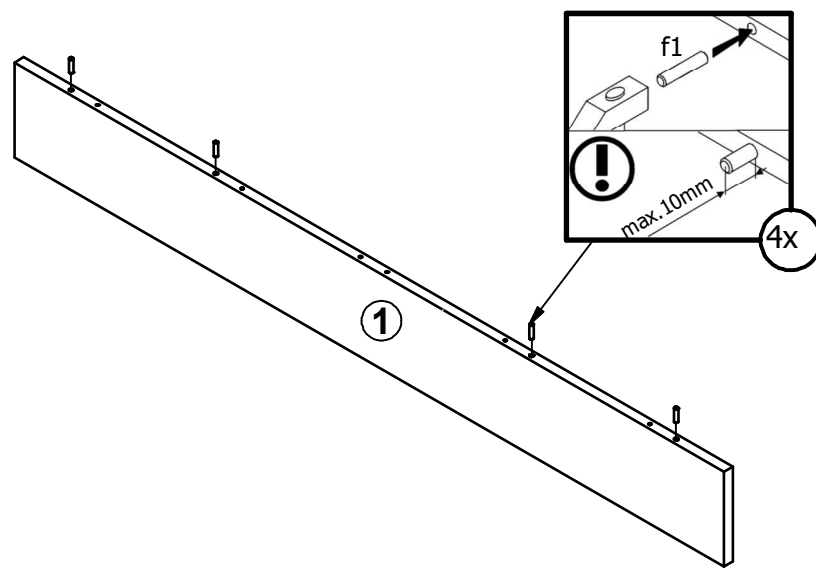
1



2x

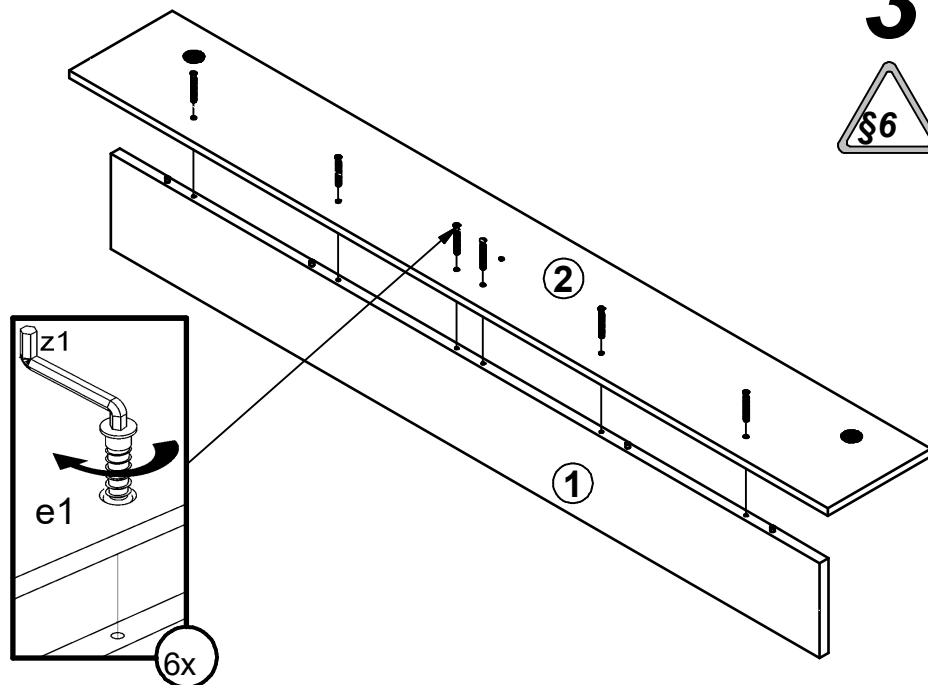


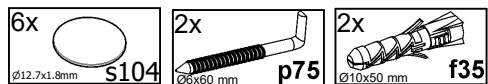
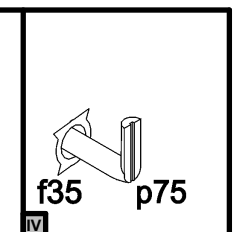
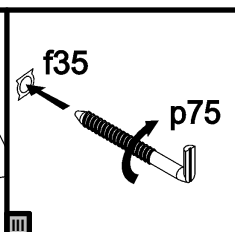
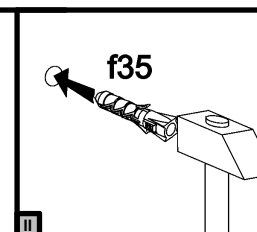
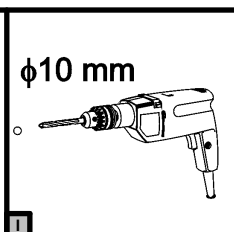
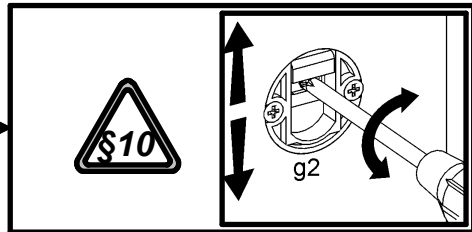
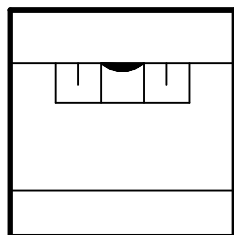
2



§6

3





4

