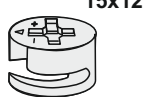
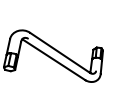

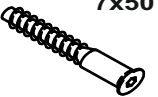
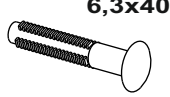
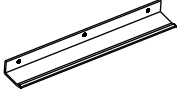
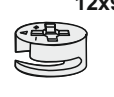


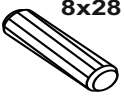



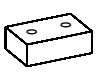
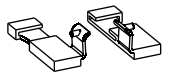




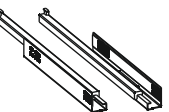

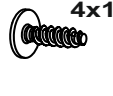

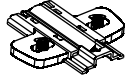
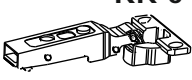

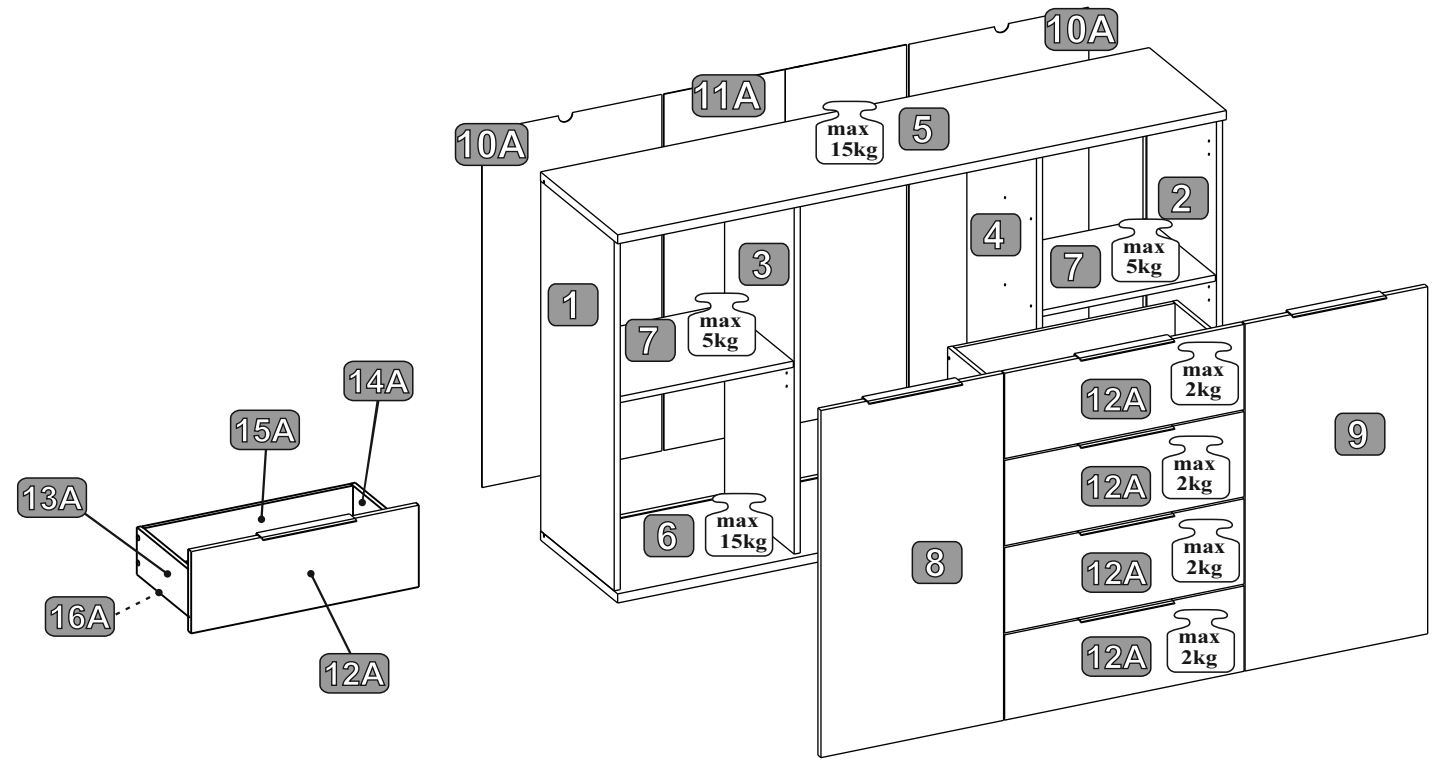
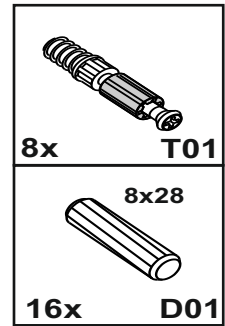
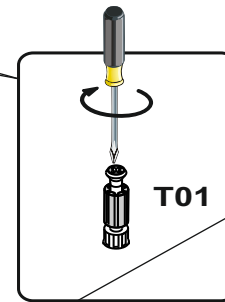
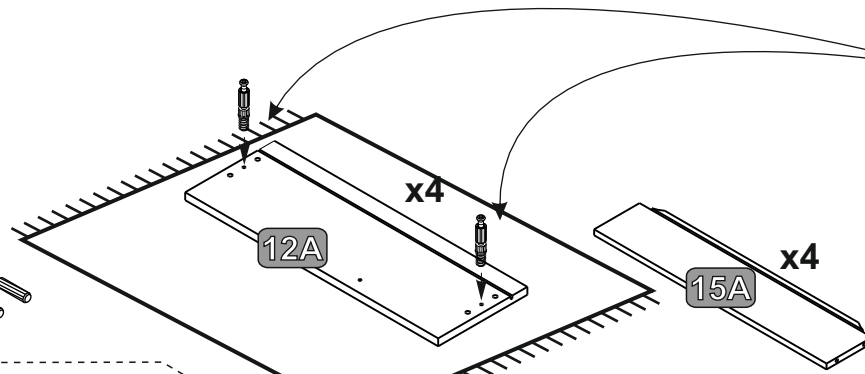
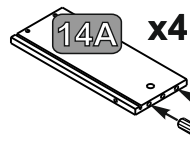
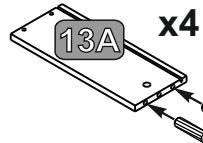
 16x T01	 15x12 8x T02	 1x K01	 6x8 16x W10	 7x50 8x W04	 6,3x40 16x D02	 6x U29	 12x9,5 8x T12	 4x C01	 10x BZN
 8x28 32x D01	 3,5x15 20x W01	 12x R01	 3 x13 18x W03	 6x S03	 4x L+P B12	 8x E01	 10x G01	 2x F01	 2x F11
 4x L+P P05A	 2x P01	 4x13 4x W07	 2x Z04	 2x Z21	 2x KR-0 Z22	 2x KR-0 Z02			

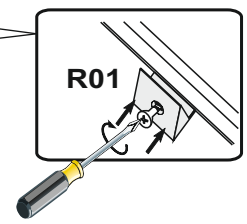
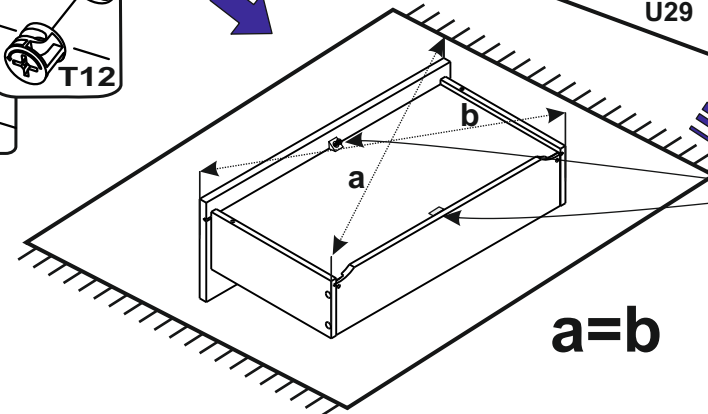
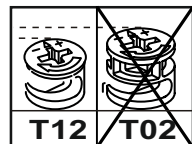
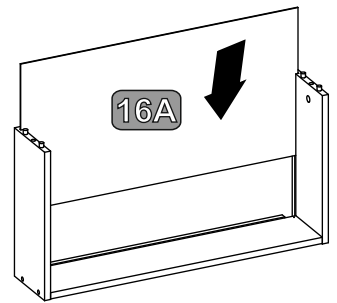
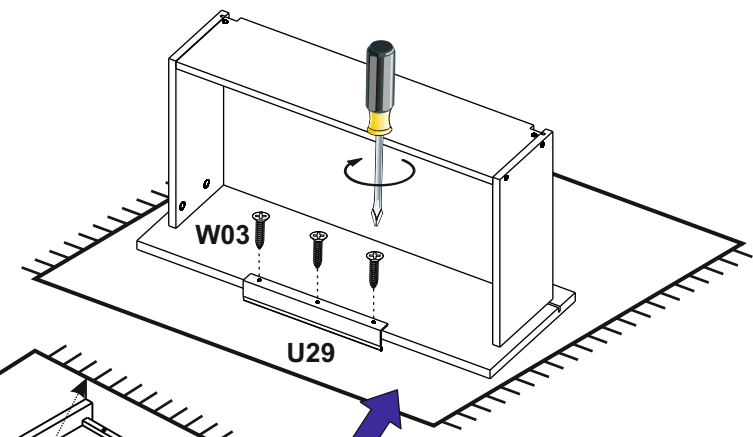
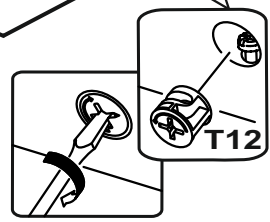
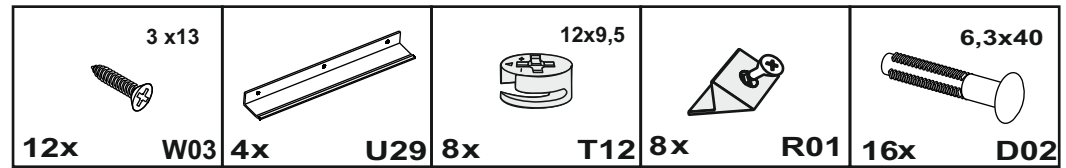
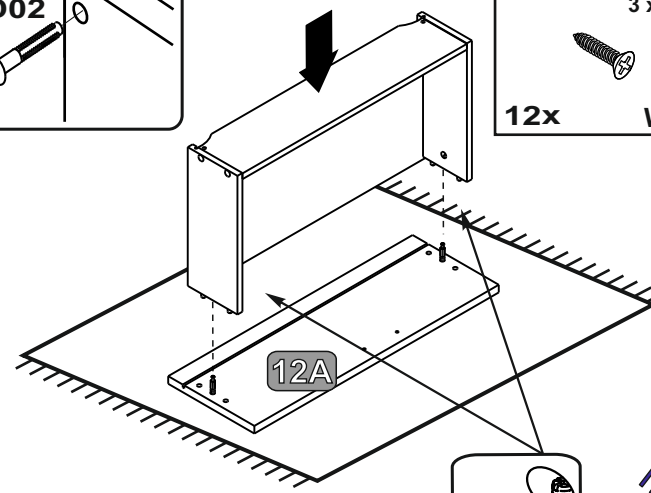
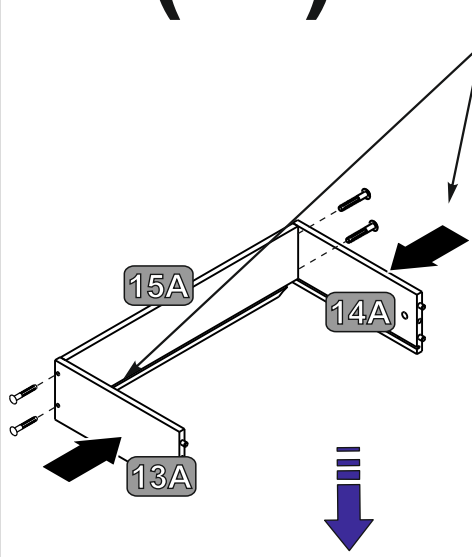
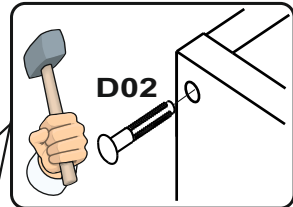
NR	DIM	QTE	COLLI
1	845x362x15	1	2/2
2	845x362x15	1	2/2
3	845x343x15	1	1/2
4	845x343x15	1	1/2
5	1500x380x22	1	1/2
6	1500x380x22	1	1/2
7	427x340x15	2	1/2
8	838x450x15	1	2/2
9	838x450x15	1	2/2
10A	860x443x2	2	2/2
11A	860x598x2	1	2/2
12A	590x206x15	4	2/2
13A	300x120x12	4	1/2
14A	300x120x12	4	1/2
15A	543x120x12	4	1/2
16A	554x300x2	4	1/2




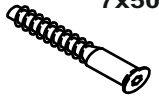
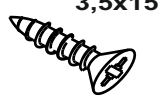
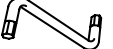
1

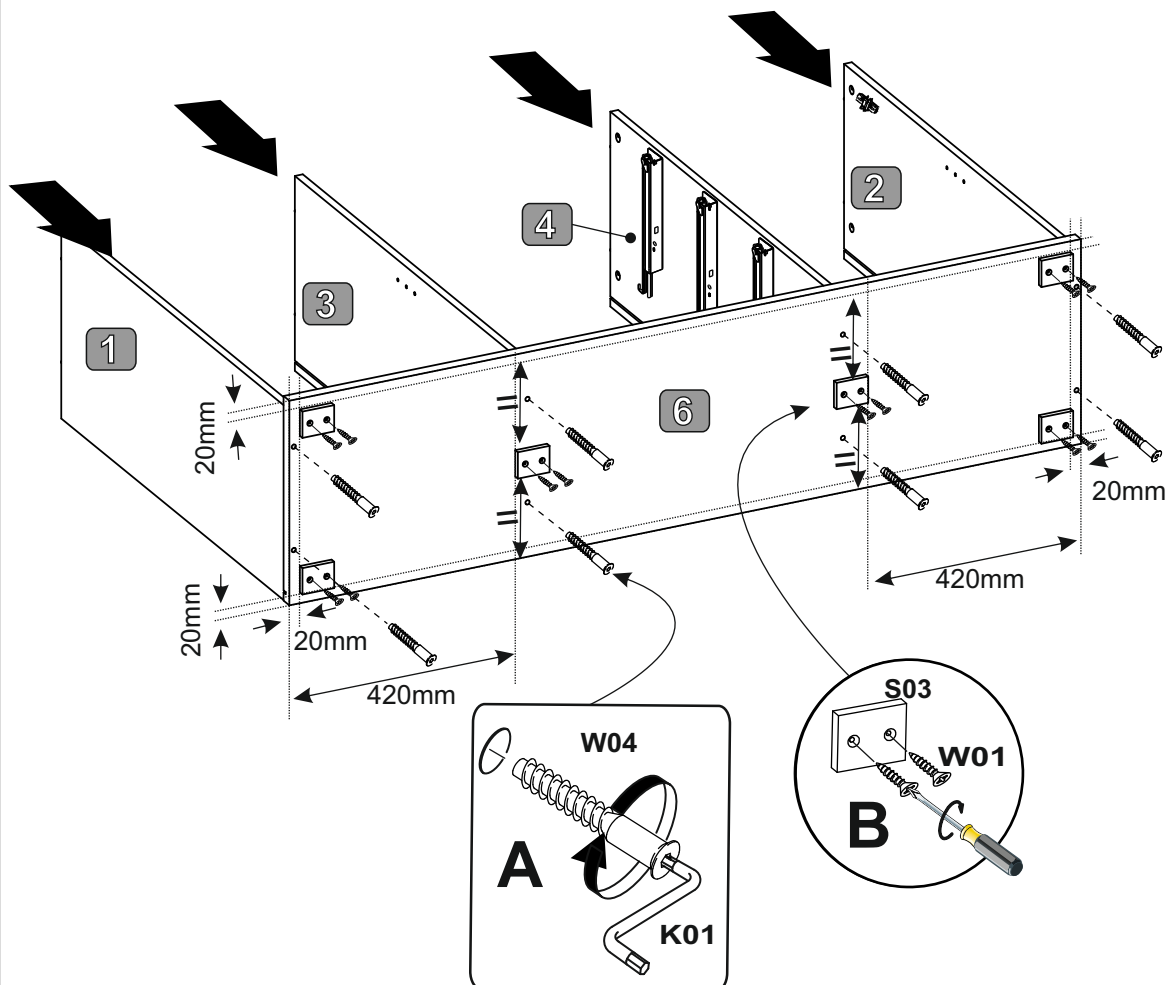


2 (x4)

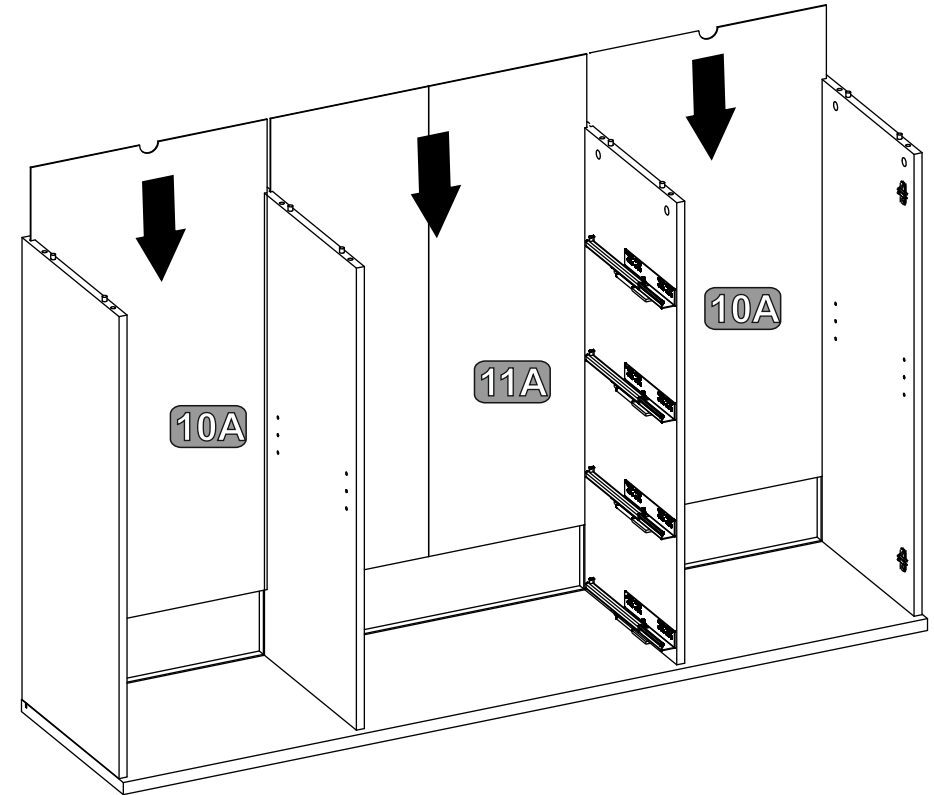


5

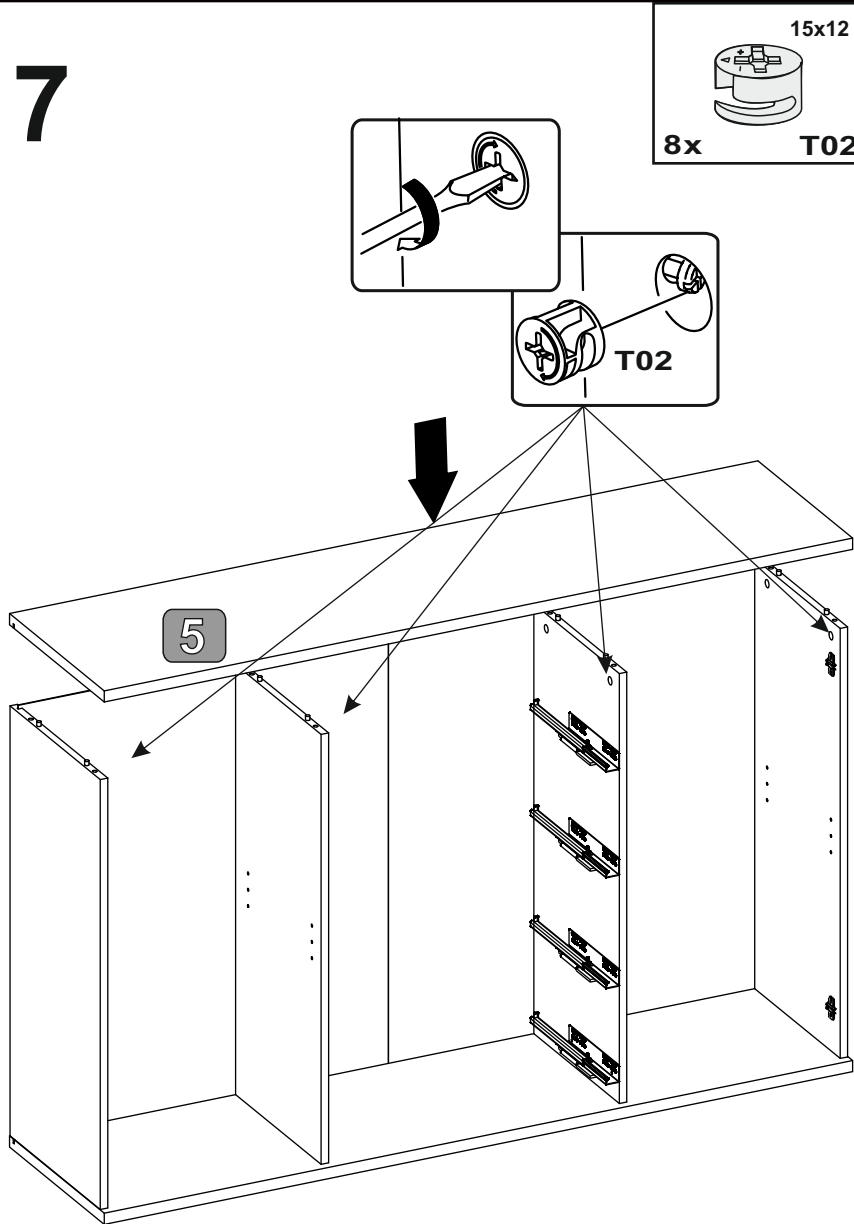
 6x S03	 8x W04
 12x W01	 1x K01



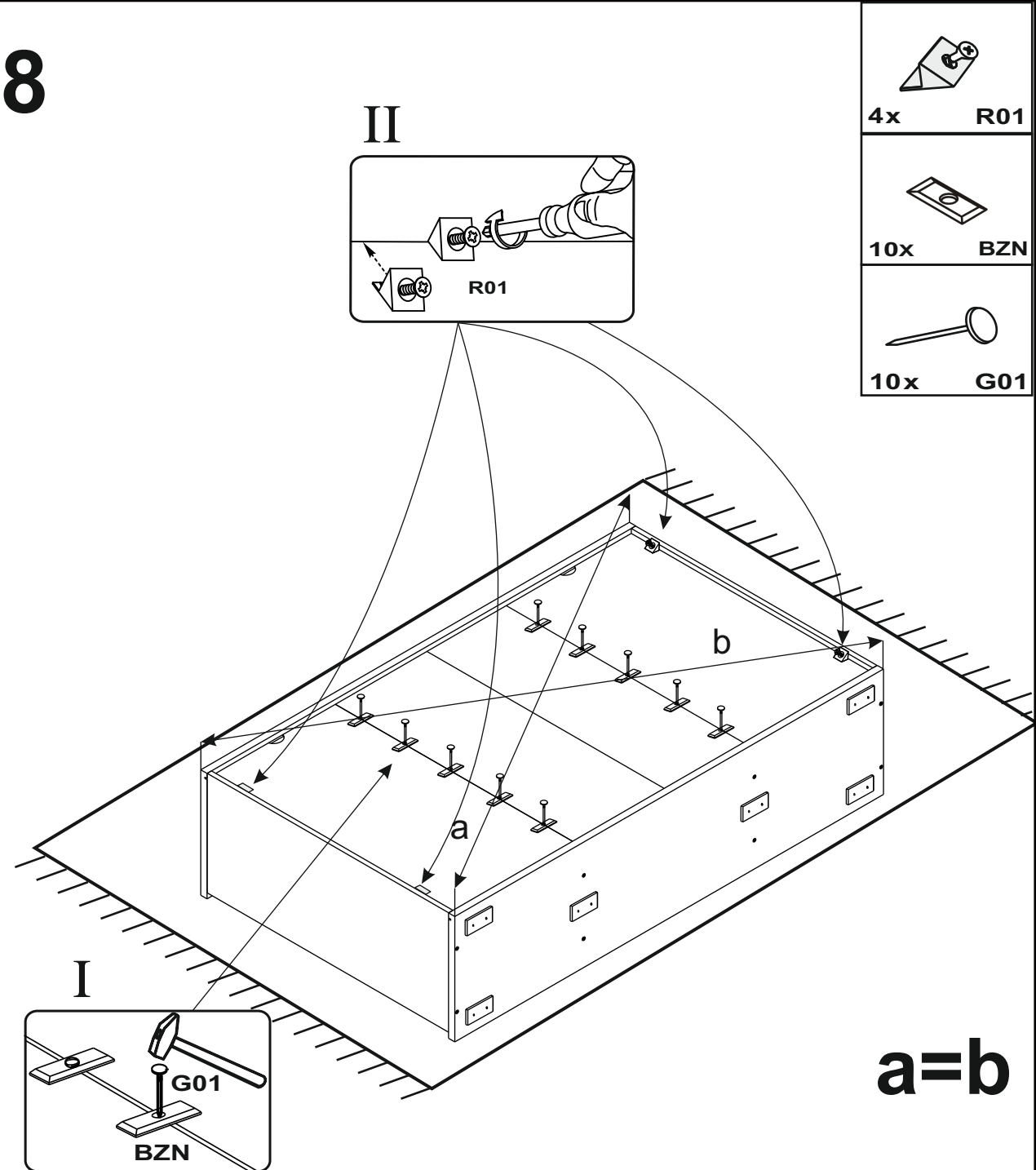
6




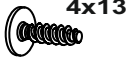


7

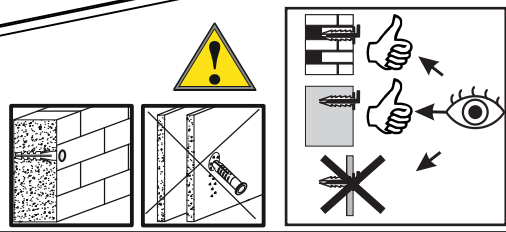
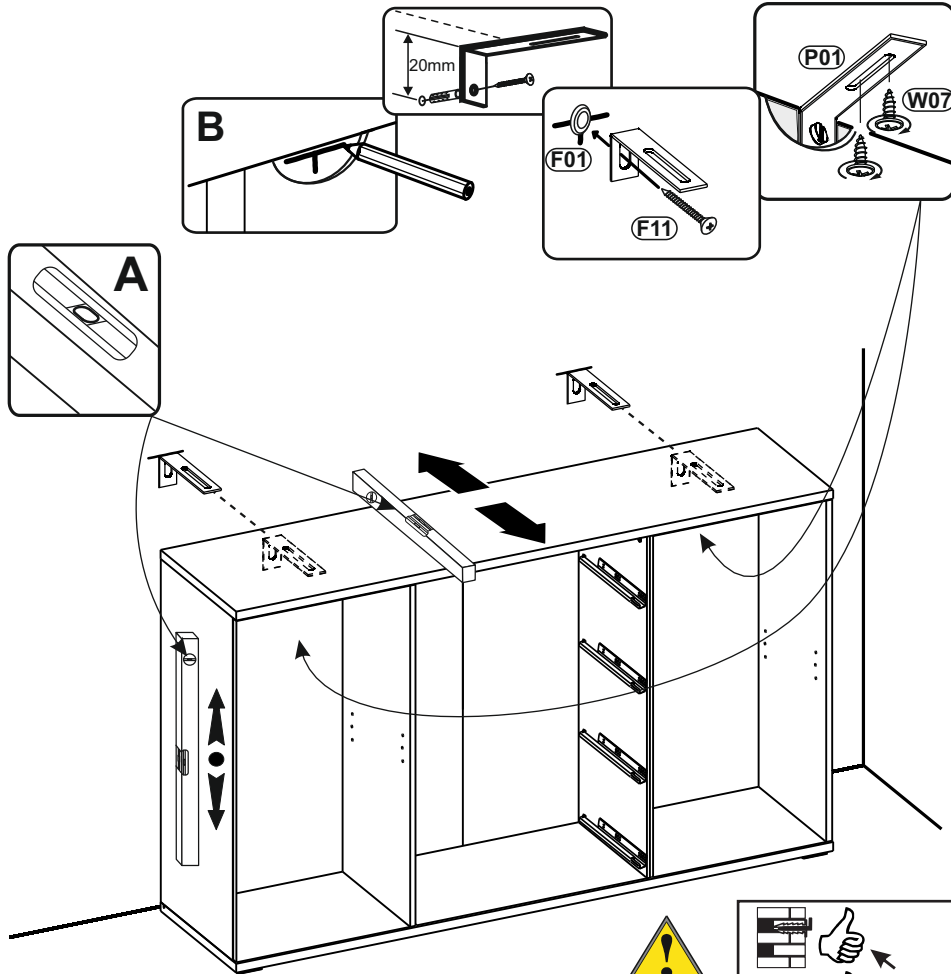


8

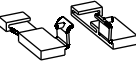



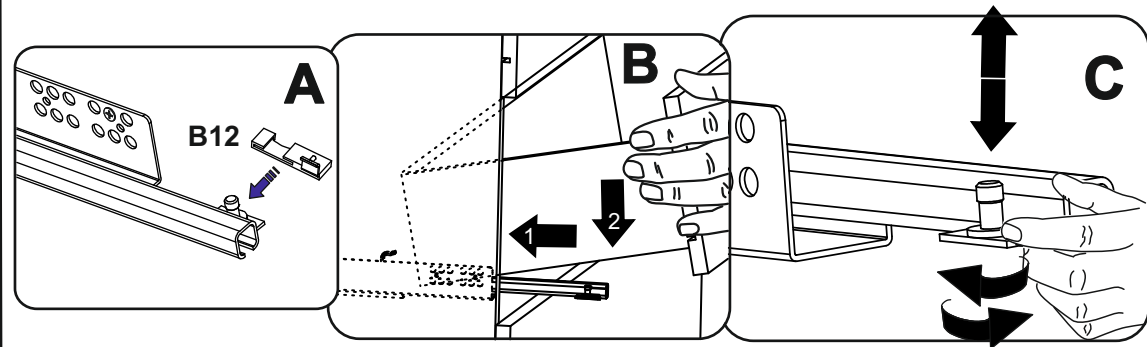
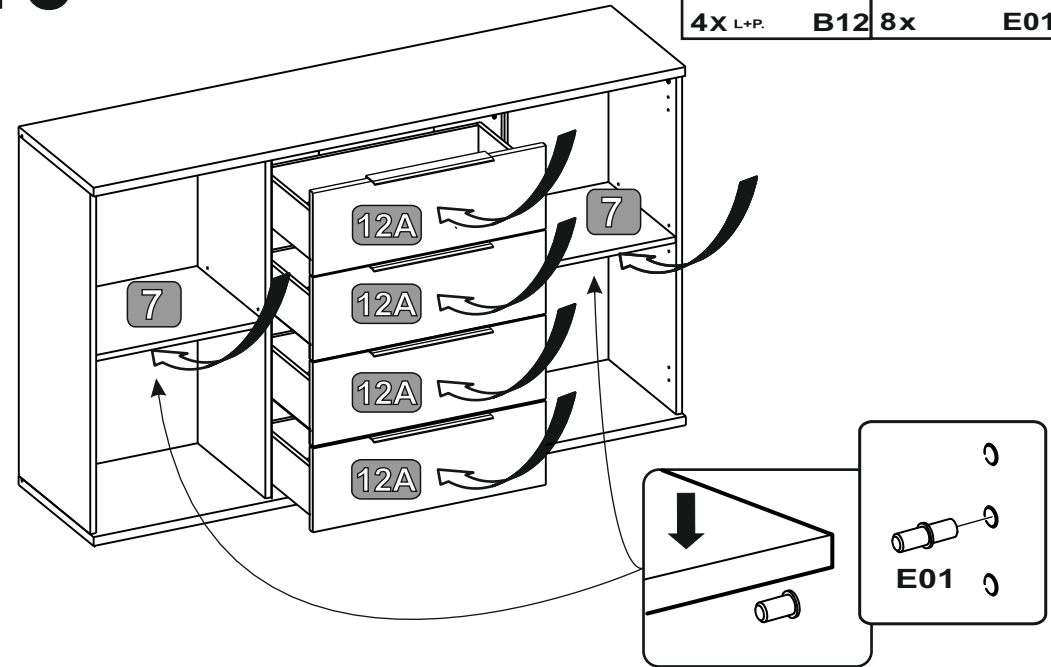
9

			
2x P01	4x W07	2x F01	2x F11


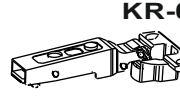



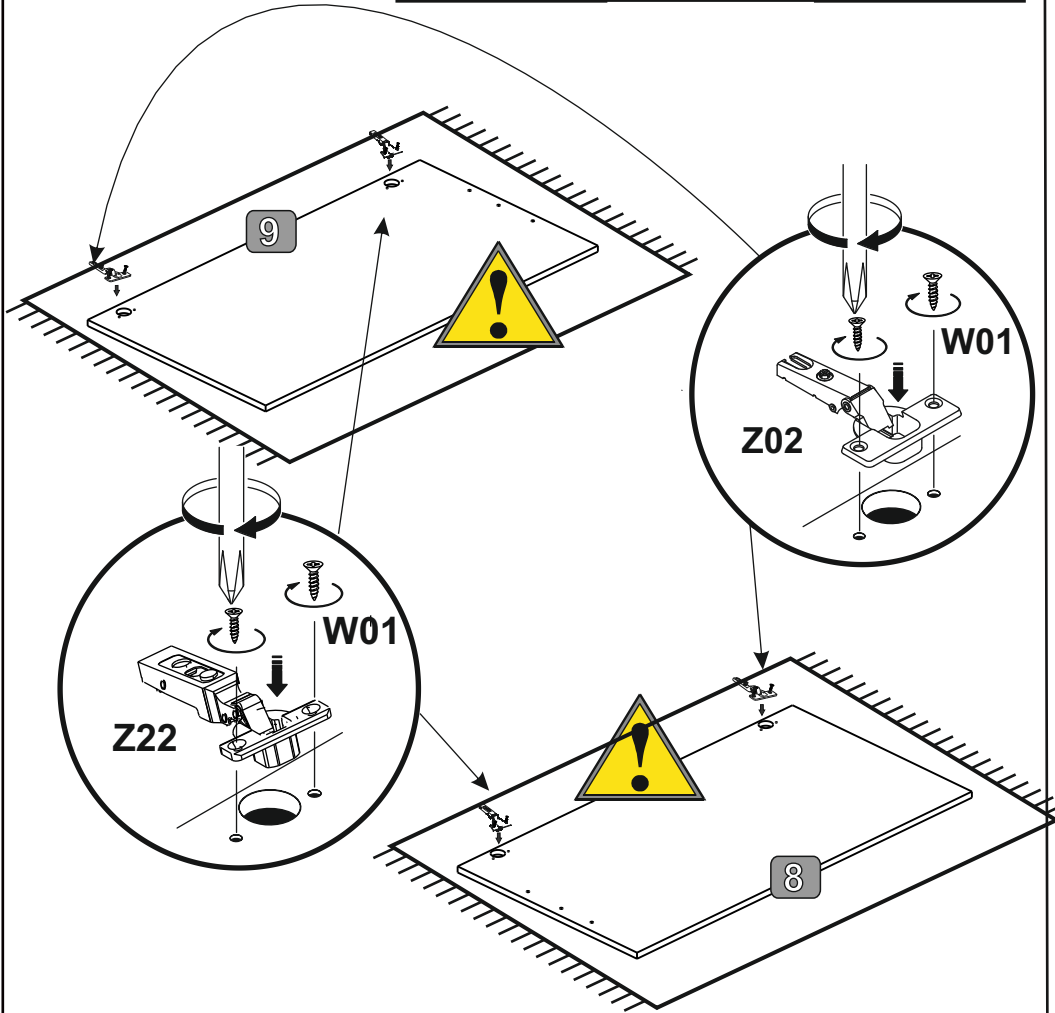
10

	
4x L+P B12	8x E01

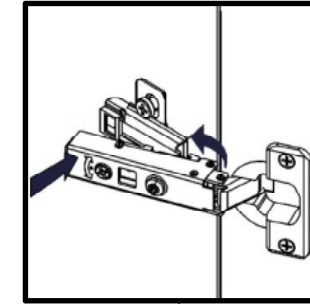
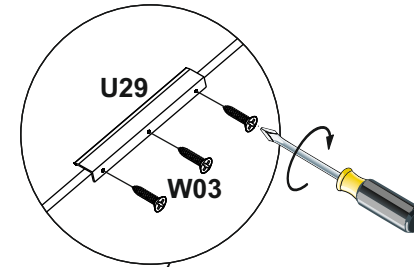


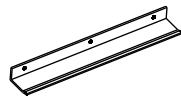


11

		
8x	W01	Z22
	2x	2x
		Z02



12



	2x	U29
	6x	W03
	4x	C01

