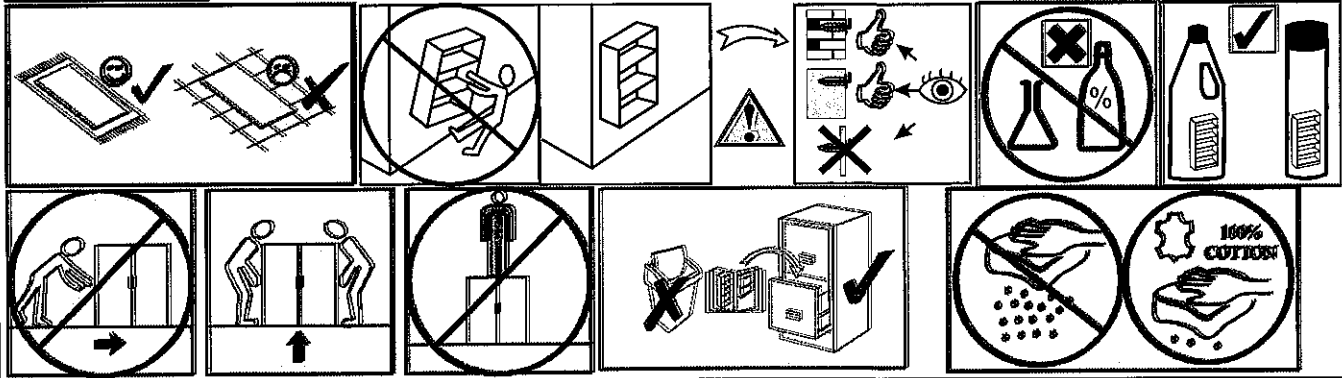
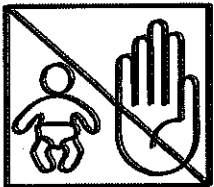
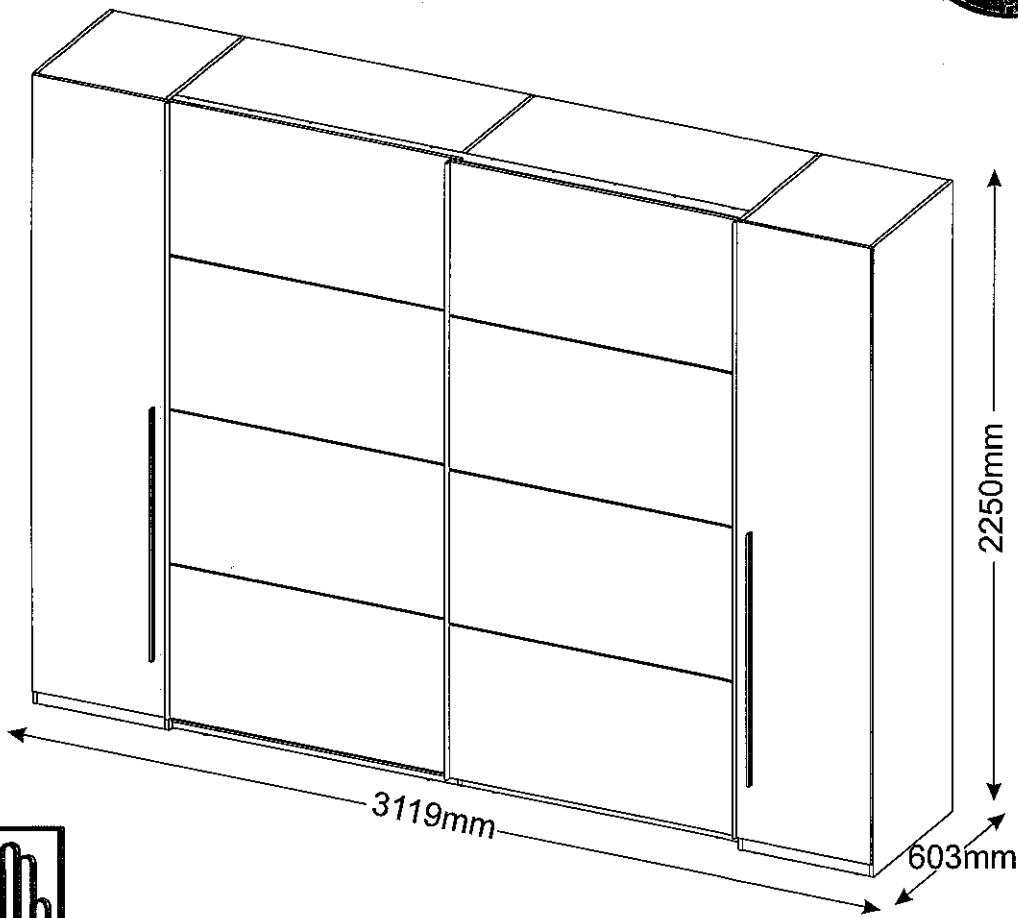
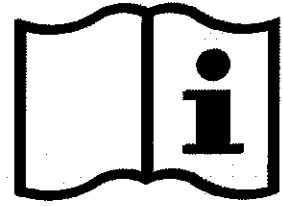
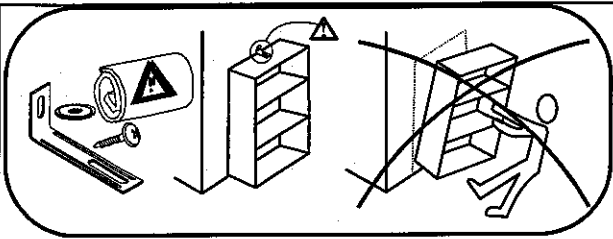
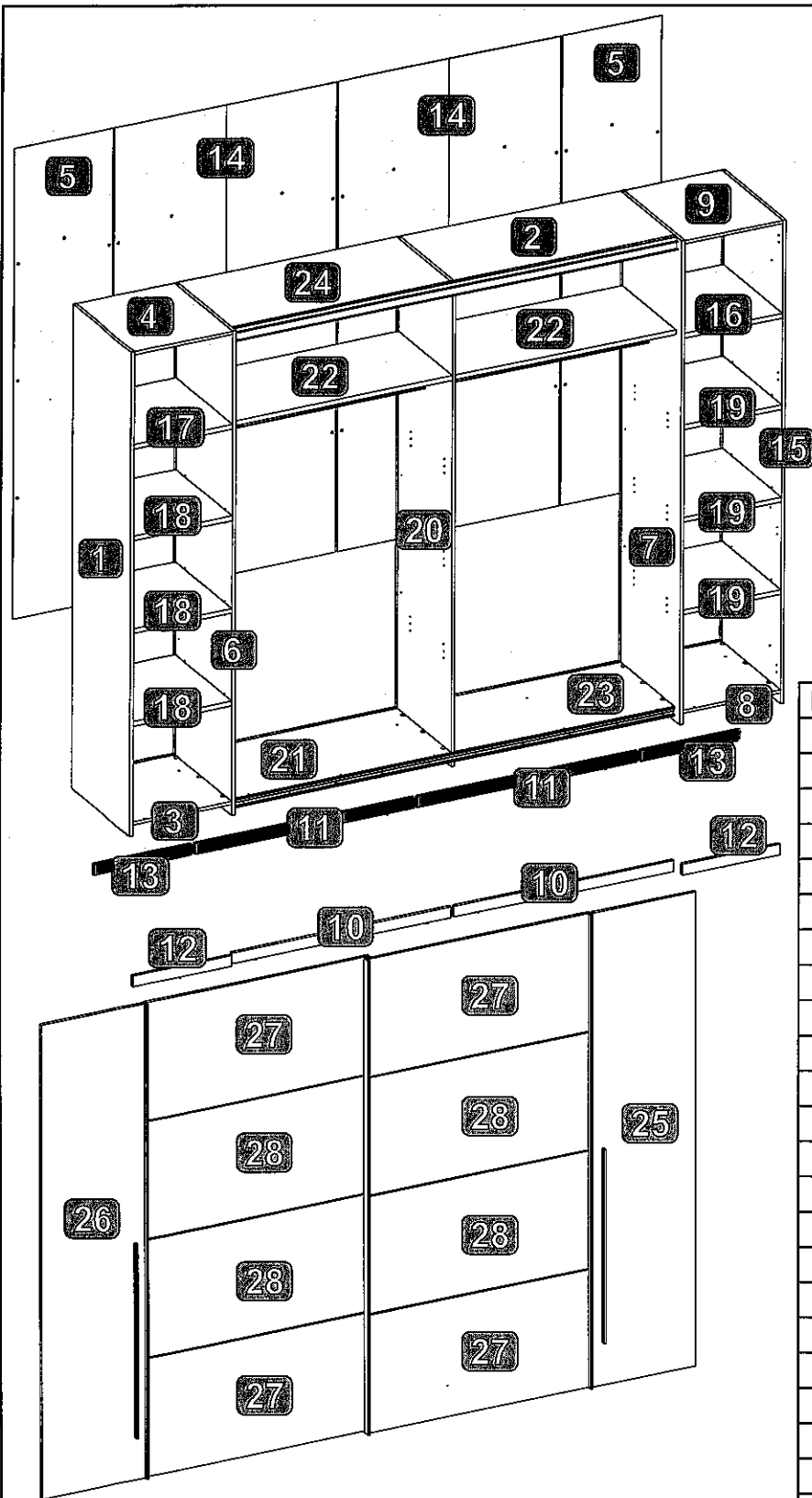


MATCH

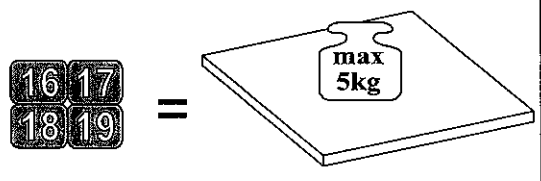
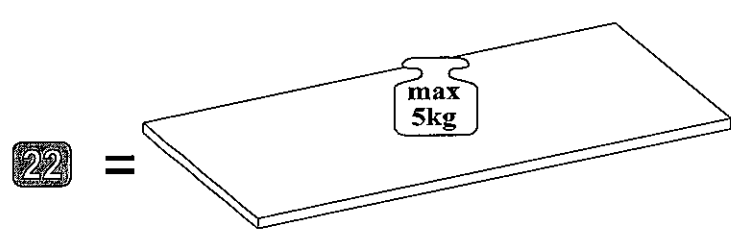
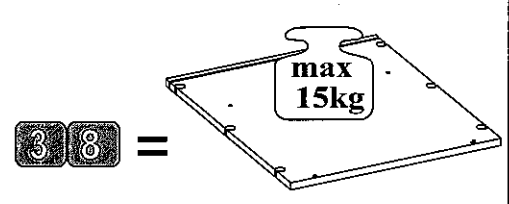
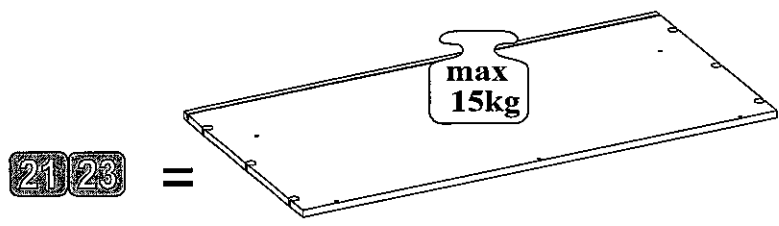
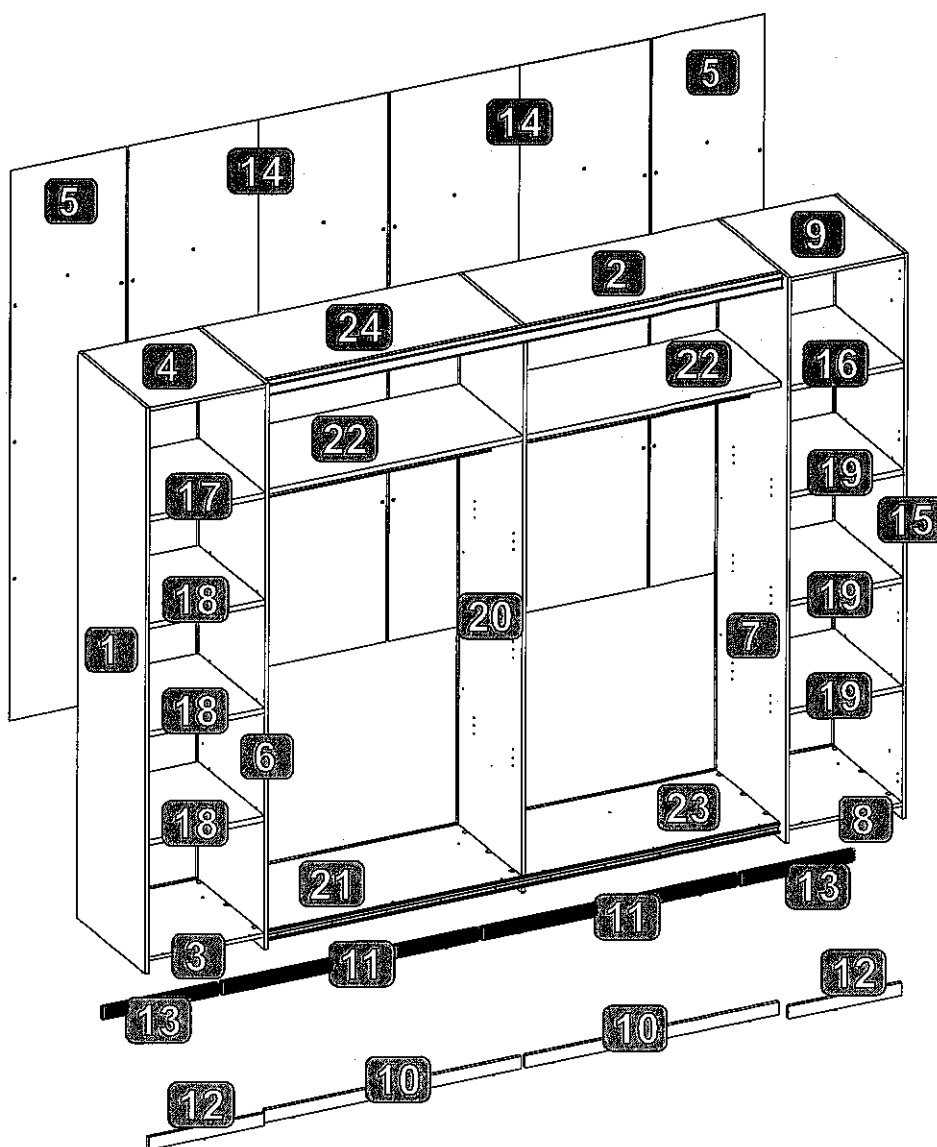
58-7L2

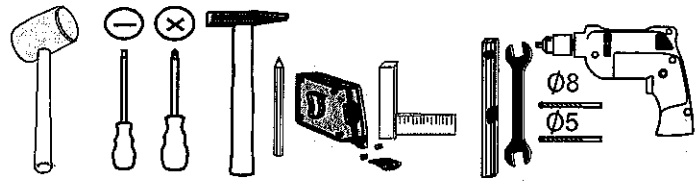
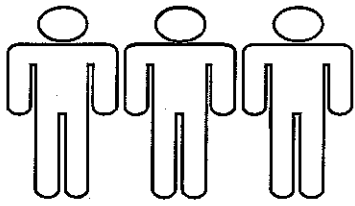
1/40





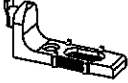

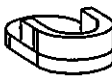





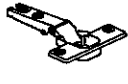
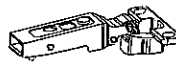







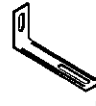

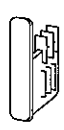
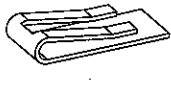


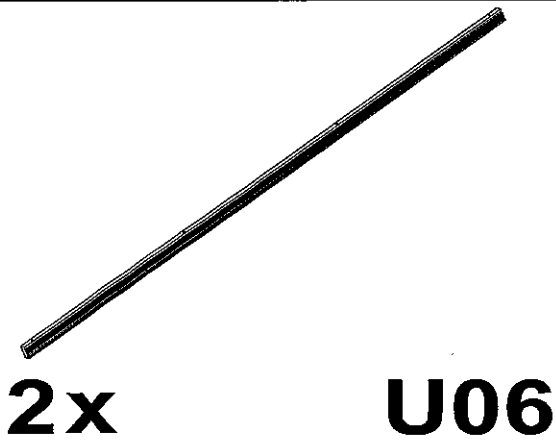


NR	DIM	QTE	COLLI
1	2250x560x15	1	1/8
2	1052,5x535x15	1	1/8
3	469,5x560x15	1	1/8
4	469,5x560x15	1	1/8
5	2188x476x2	2	1/8
6	2250x560x15	1	1/8
7	2250x588x15	1	2/8
8	469,5x588x15	1	2/8
9	469,5x588x15	1	2/8
10	1052,5x50x15	2	2/8
11	1052,5x50x15	2	2/8
12	469,5x50x15	2	2/8
13	469,5x50x15	2	2/8
14	2188x1059x2	2	2/8
15	2250x588x15	1	2/8
16	469,5x569x22	1	3/8
17	469,5x541x22	1	3/8
18	469,5x540x22	3	3/8
19	469,5x568x22	3	3/8
20	2249x535x15	1	3/8
21	1052,5x535x15	1	4/8
22	1052,5x516x22	2	4/8
23	1052,5x535x15	1	4/8
24	1052,5x535x15	1	4/8
25	2200x496x15	1	6/8
26	2200x496x15	1	6/8
27	1075x550x15	4	7/8;8/8
28	1075x550x15	4	7/8;8/8

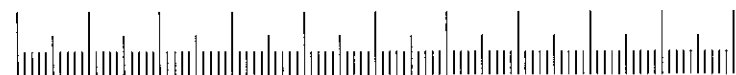


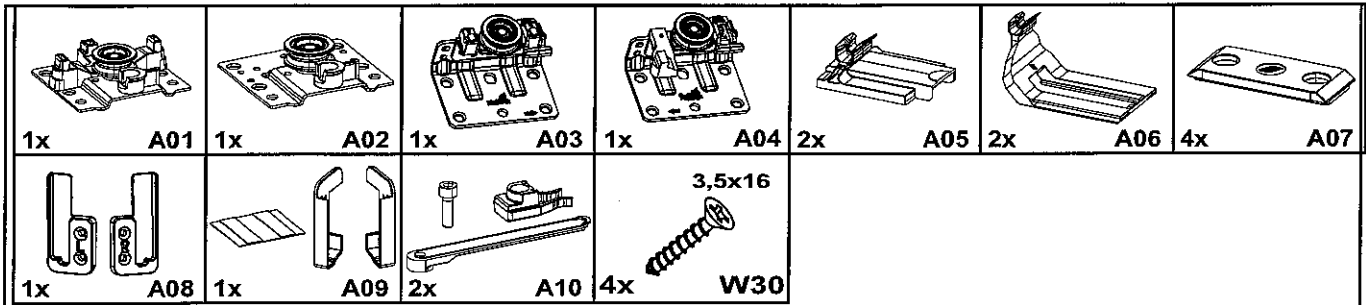


 48x T05	 48x T04	 5x40 20x W16	 L3 1x K02	 30x R02	 4x13 2x W07	 44x R01
 4x E03	 3,5x13 138x W02	 6x11 24x W12	 22x S01	 3,5x13 10x W09	 L-1048 2x J01	 18x W08
 Ø13 20x C02	 4x Z04	 KR-0 4x Z02	 KR-0 4x Z22	 4x Z21	 24x E01	 3,5x16 16x W30
 4x25 8x W05	 24x E09	 6,3x9,5 30x W20	 6x8 24x W10	 2x F01	 2x F11	 2x F13
 3x Sz1	 H-37 6x ZA2	 Z5 1x K03	 6x Sp02			

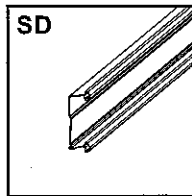
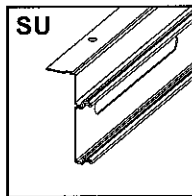
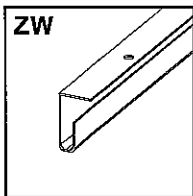
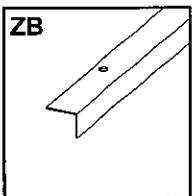
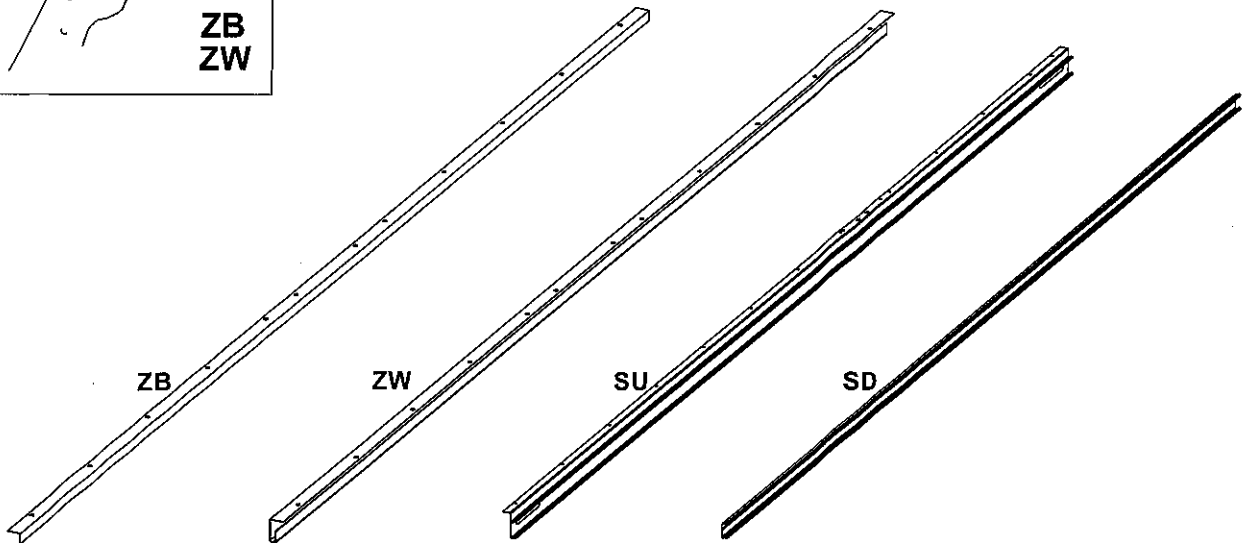
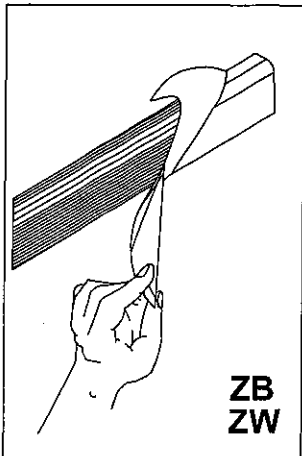


0 10 20 30 40 50 60 70 80 90 100

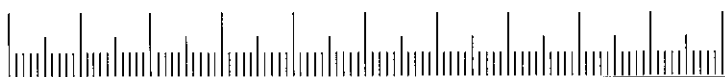




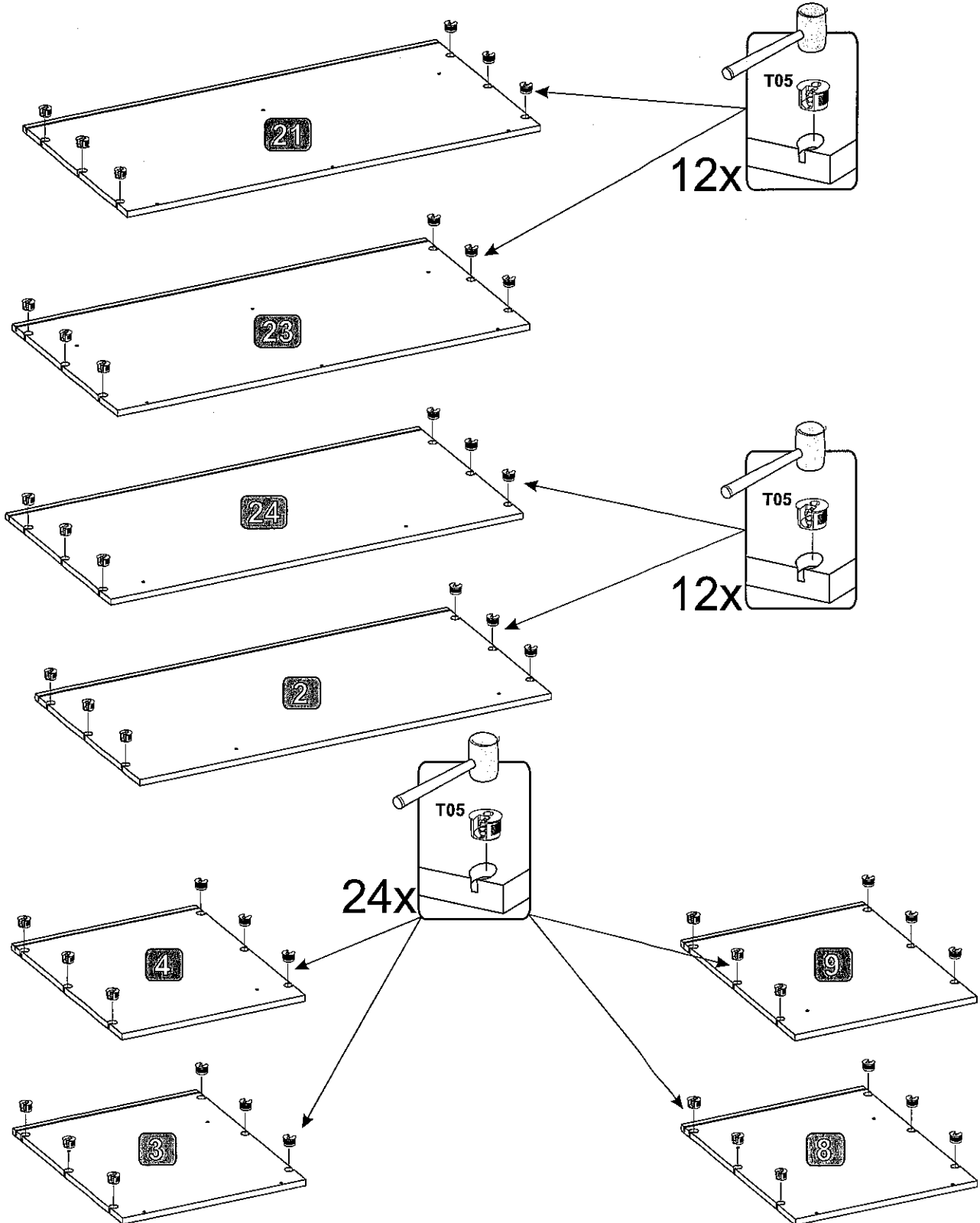
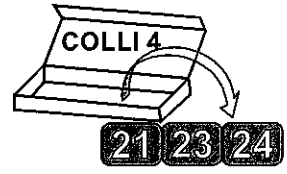
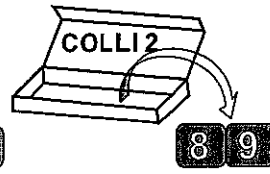
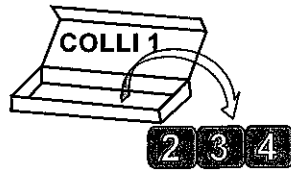
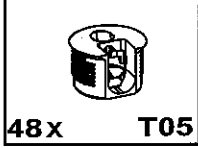
NR	DIM	QTE	COLLI
ZB	L-2200	1	5/8
ZW	L-2200 H-37	3	5/8
SU	L-2118	1	5/8
SD	L-2114	1	5/8

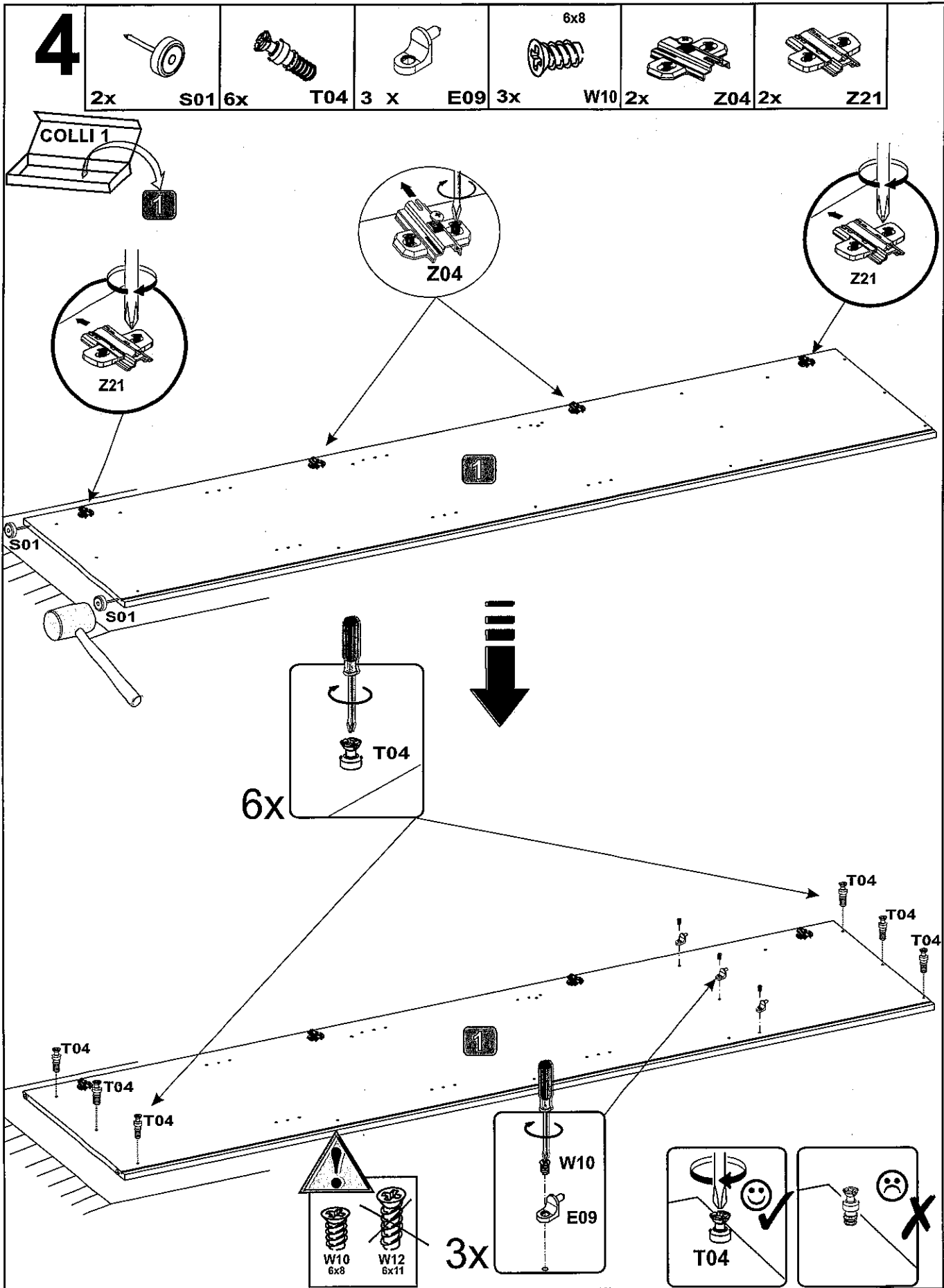


0 10 20 30 40 50 60 70 80 90 100









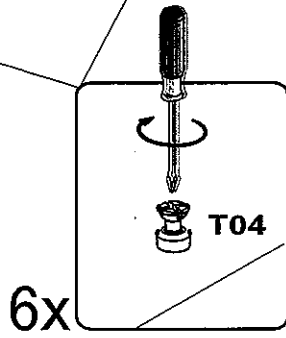
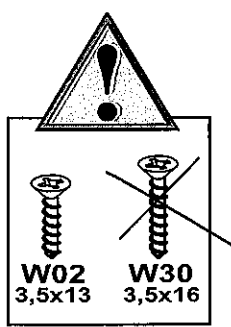
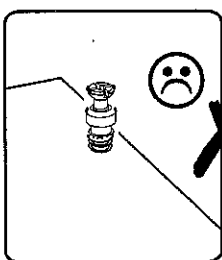
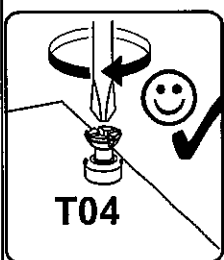
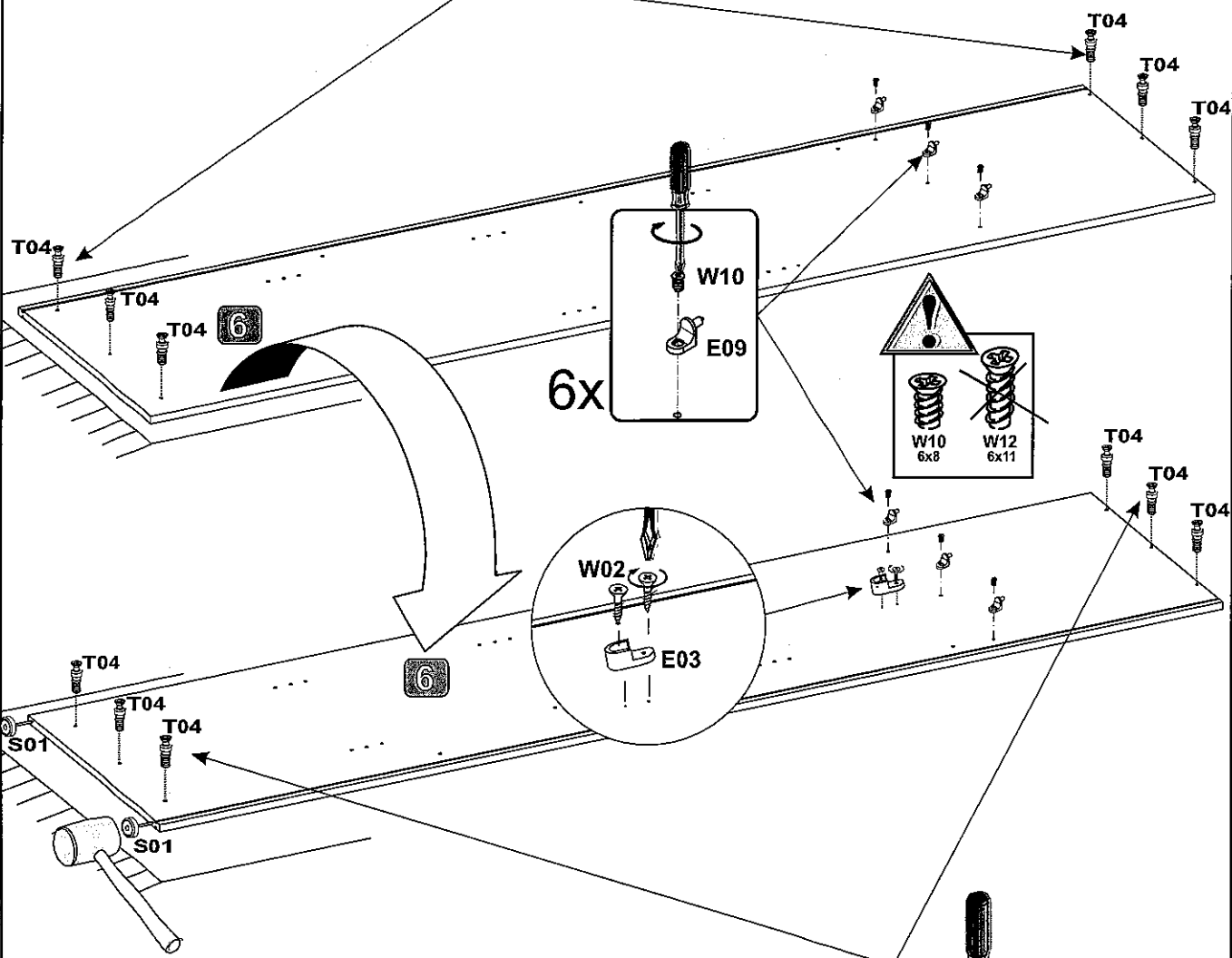
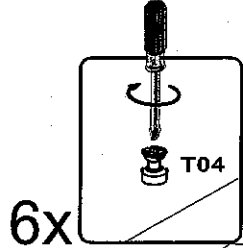
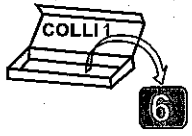
1

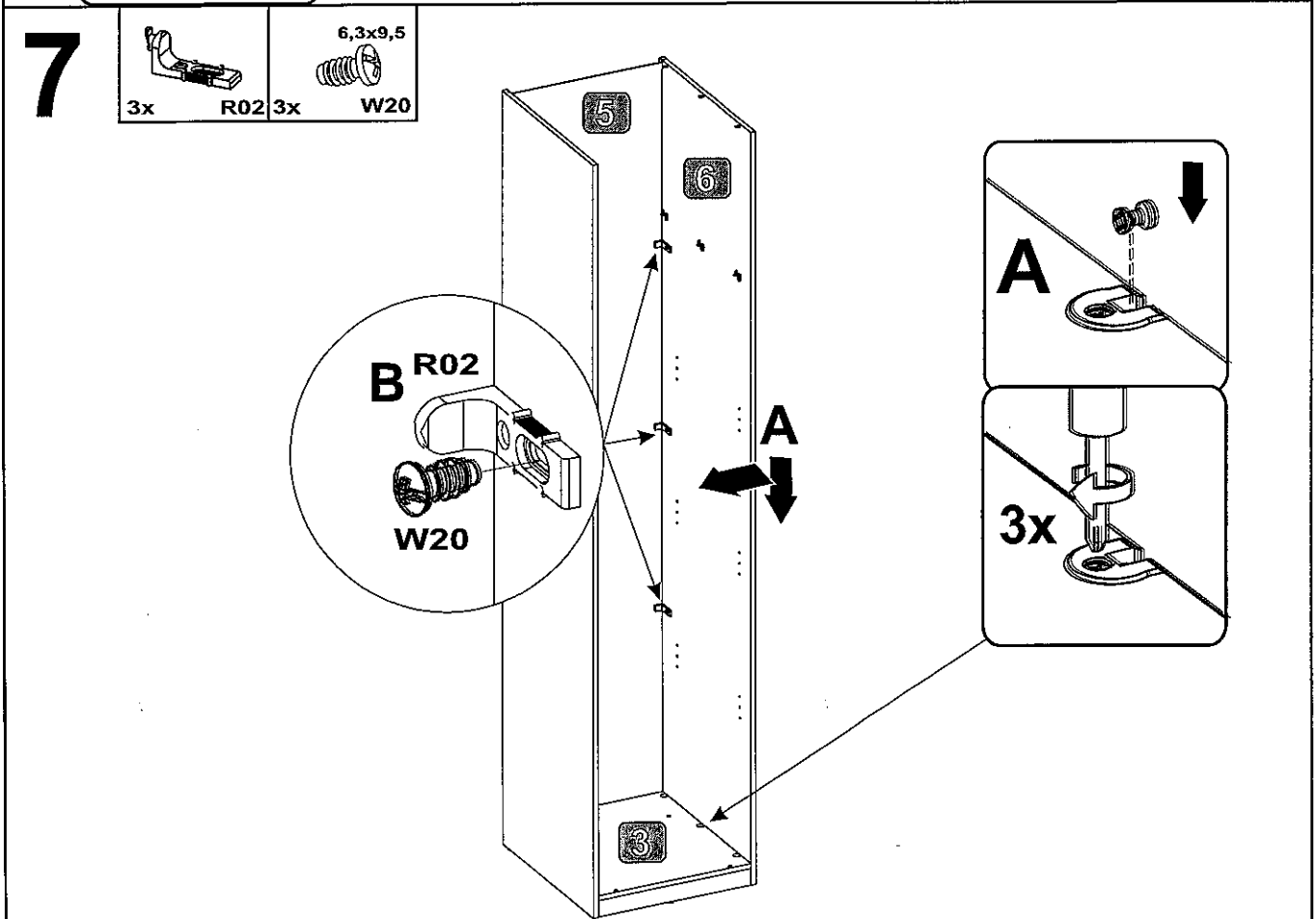
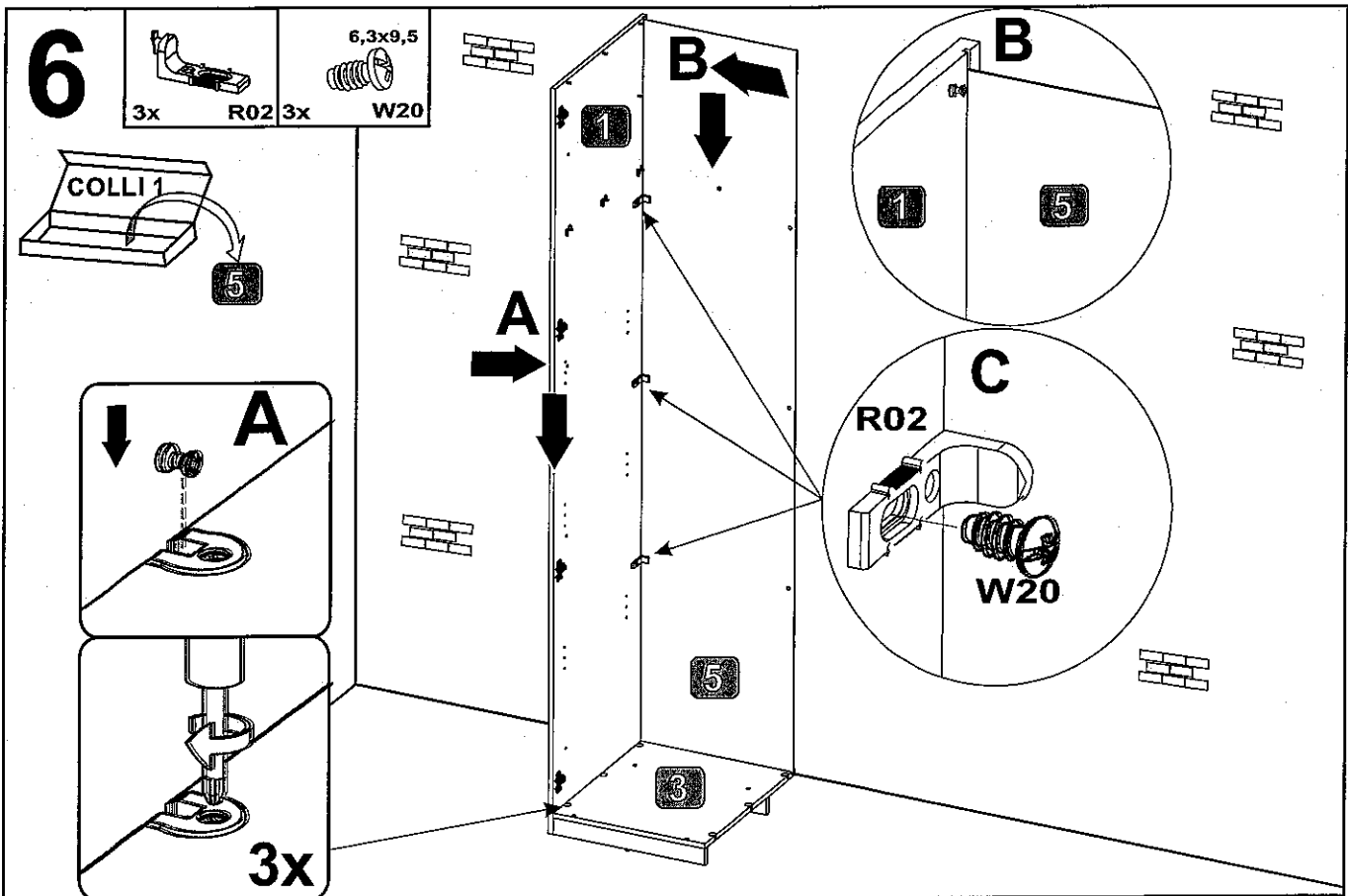




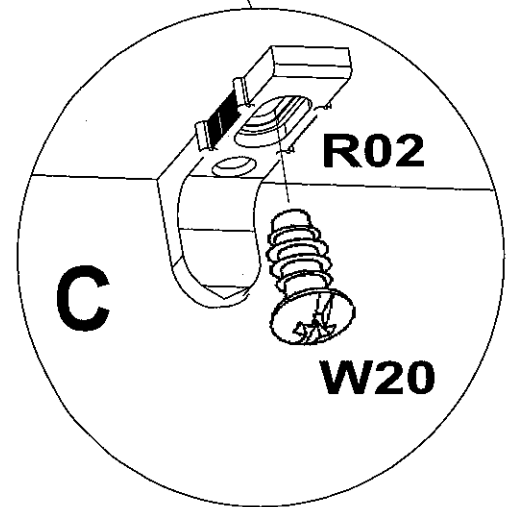
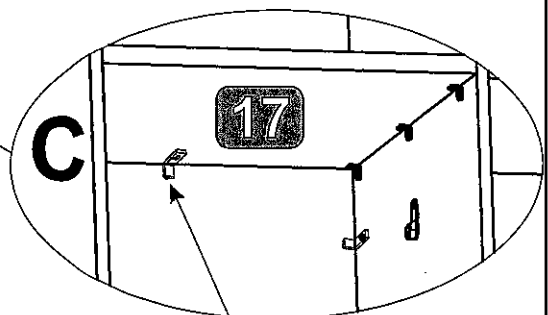
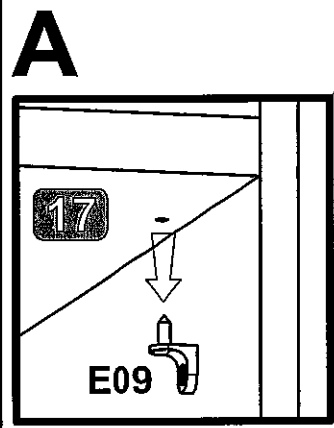
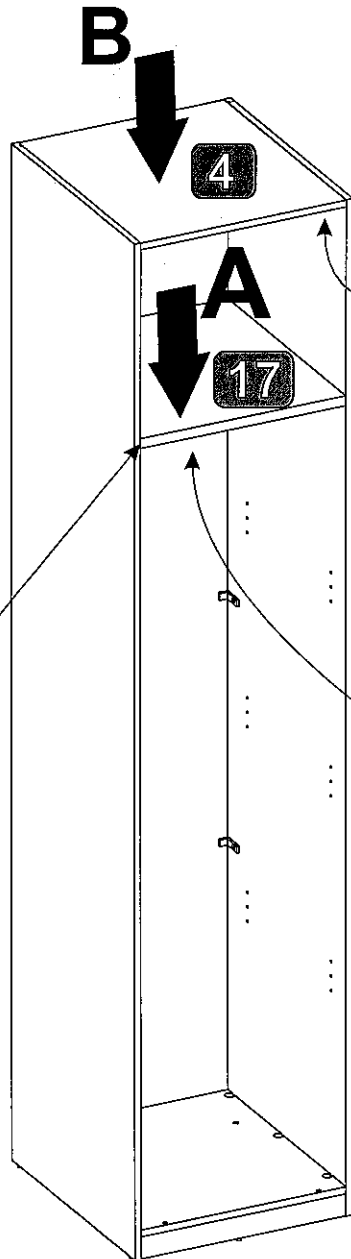
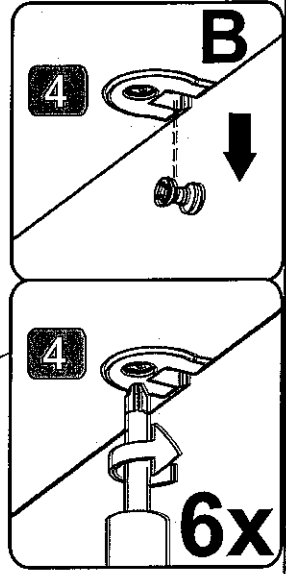
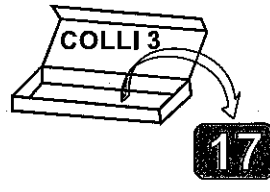
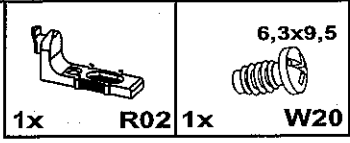
5

2x		12x		1x		2x		6x		6x	
----	---	-----	---	----	---	----	---	----	---	----	---

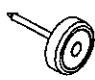







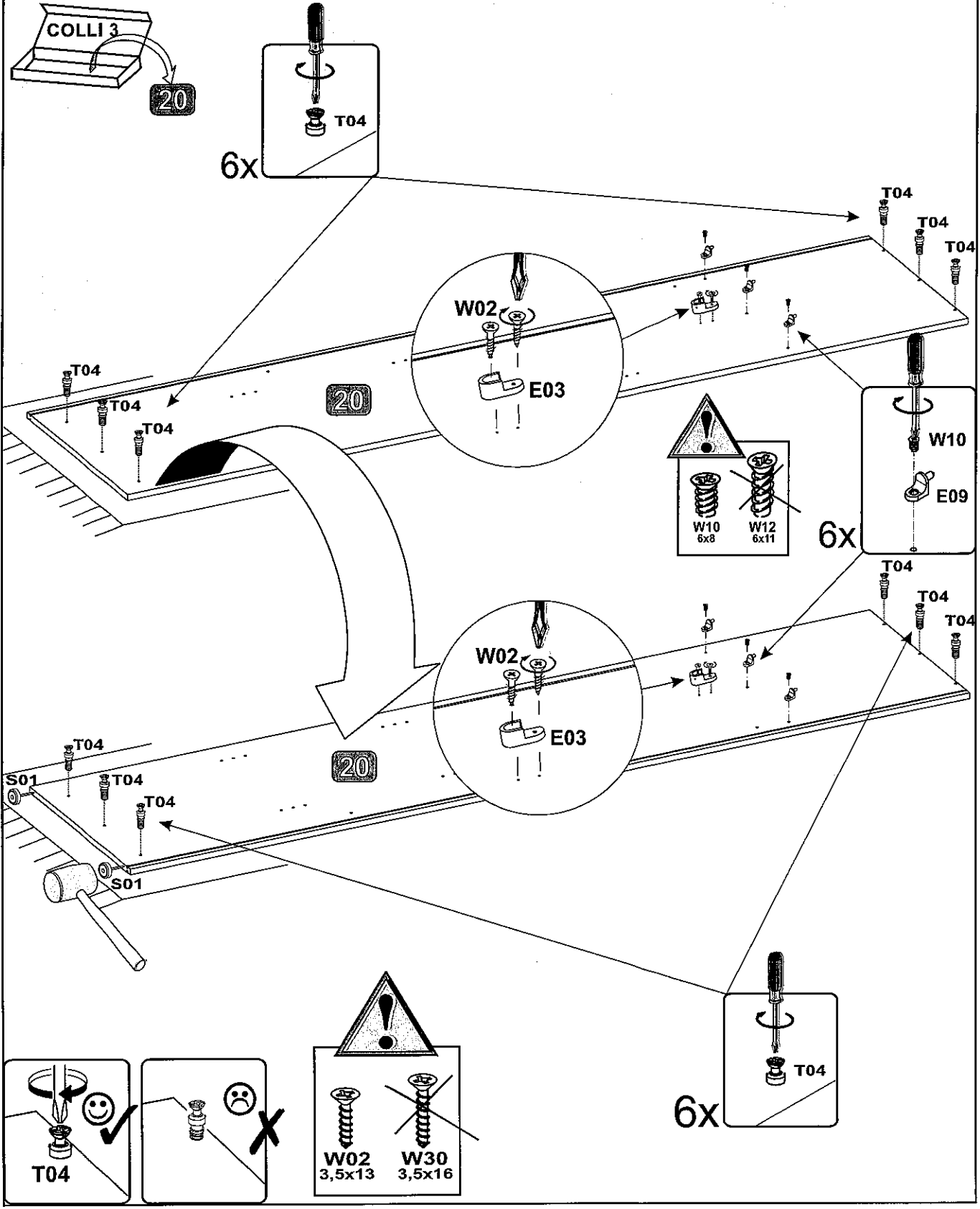


8









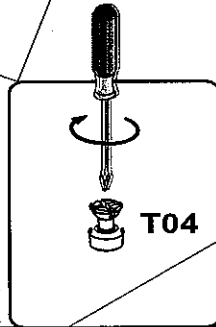
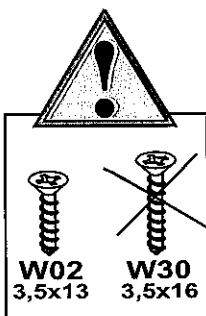
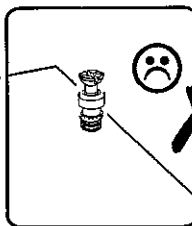
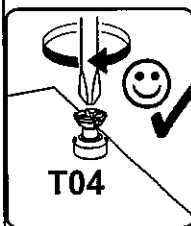
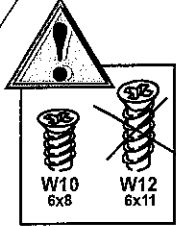
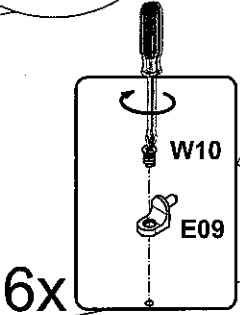
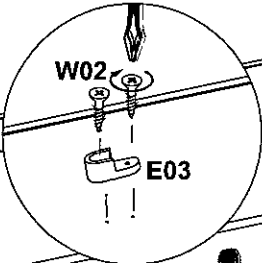
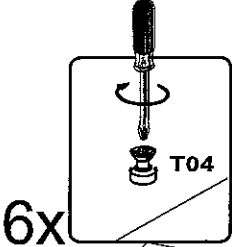
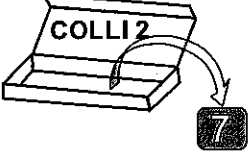
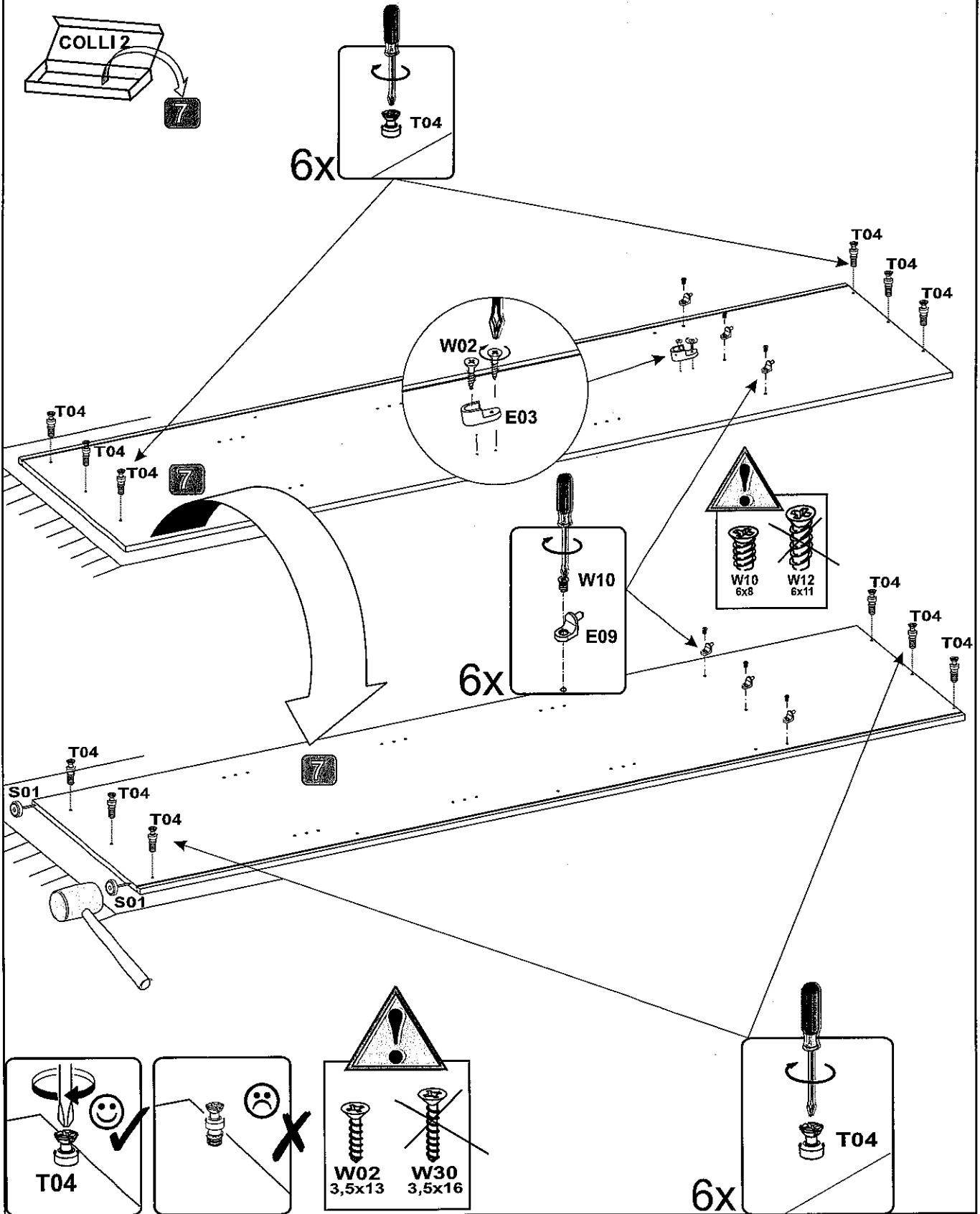
9

2x		12x		2x		4x		6x		6x	
	S01		T04		E03		W02		E09		W10






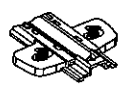


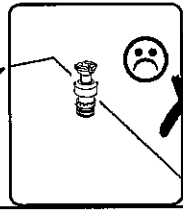
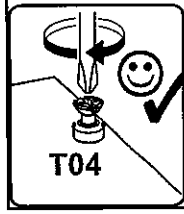
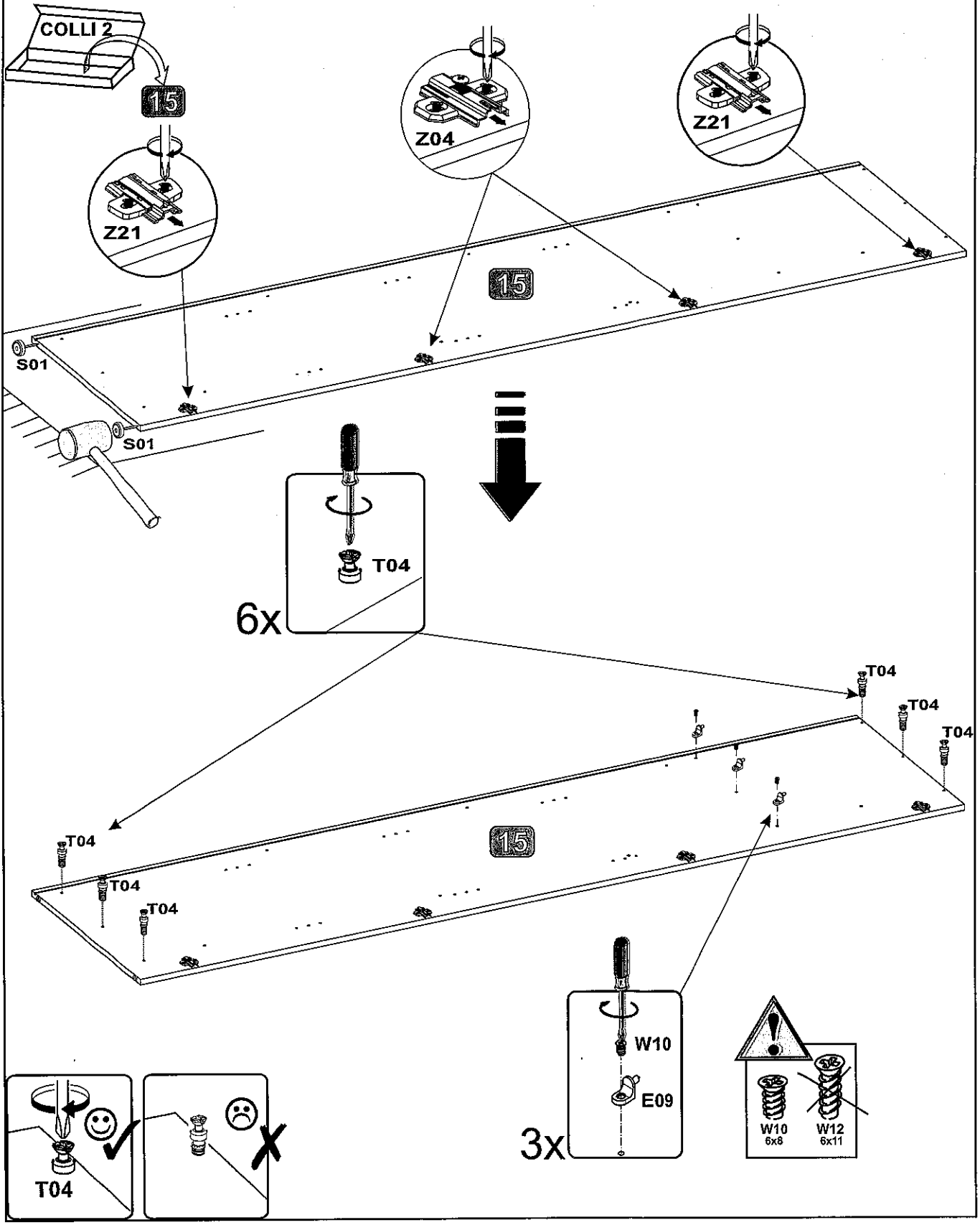
10

2x		12x		1x		2x		6x		6x	
	S01		T04		E03		W02		E09		W10

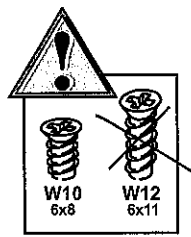


11

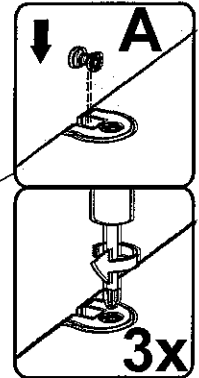
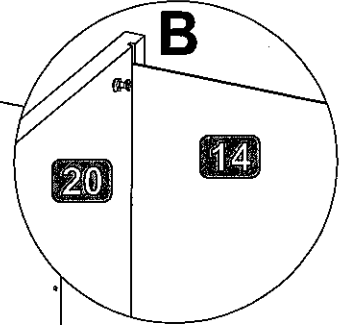
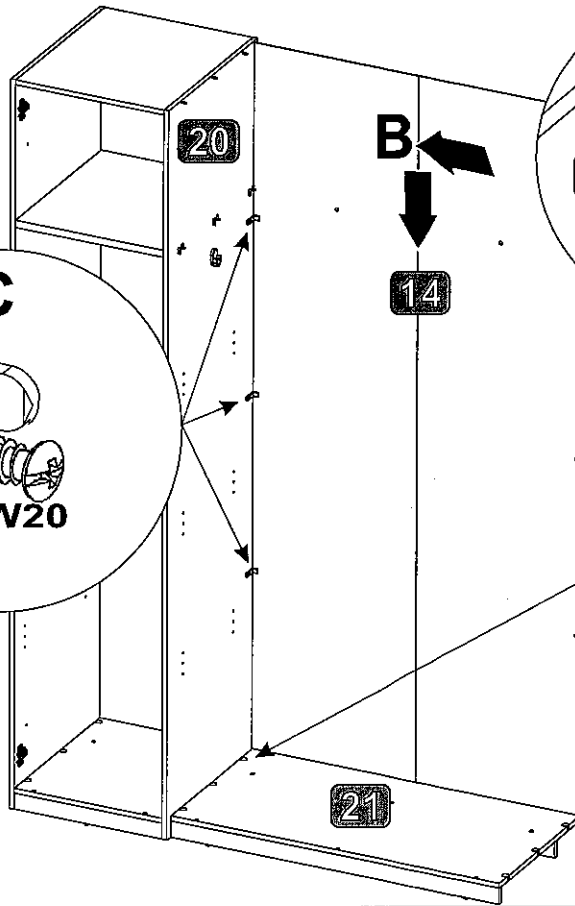
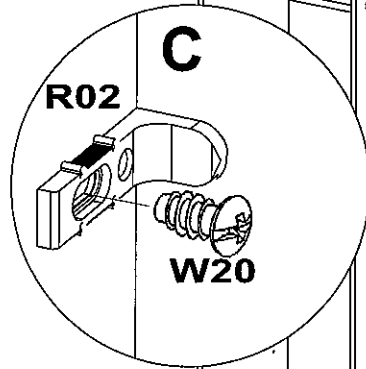
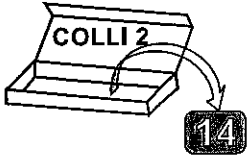
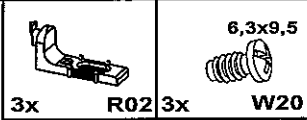
2x		6x		3 X		3x		2x		2x	
	S01		T04		E09		W10		Z04		Z21



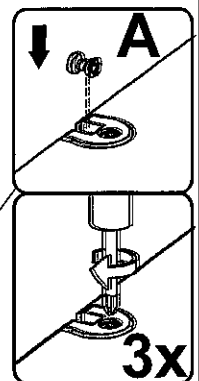
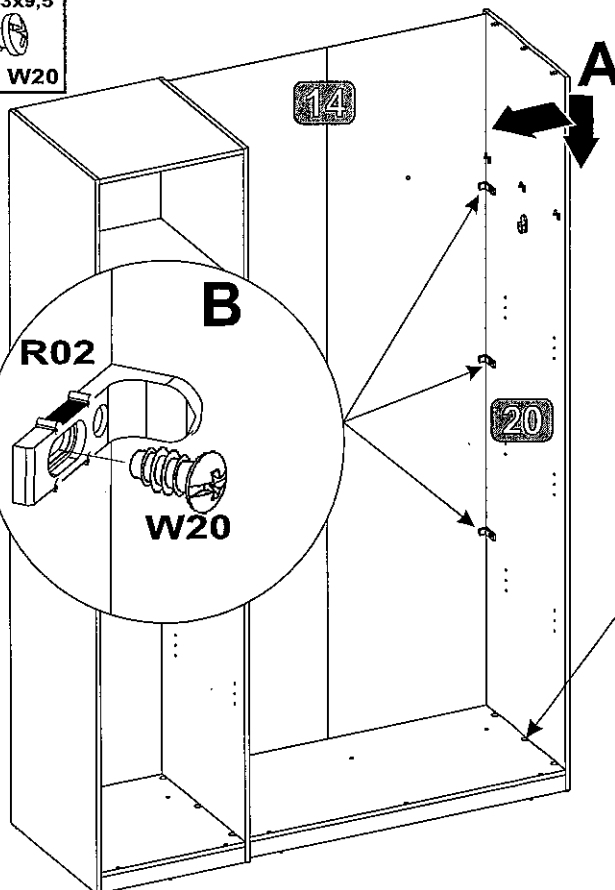
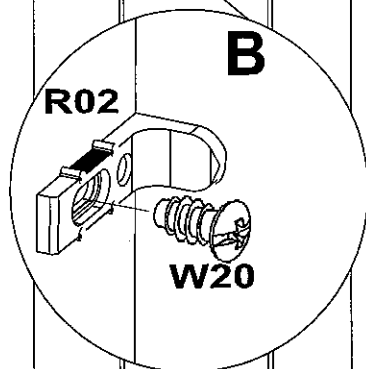
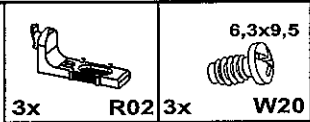
3x



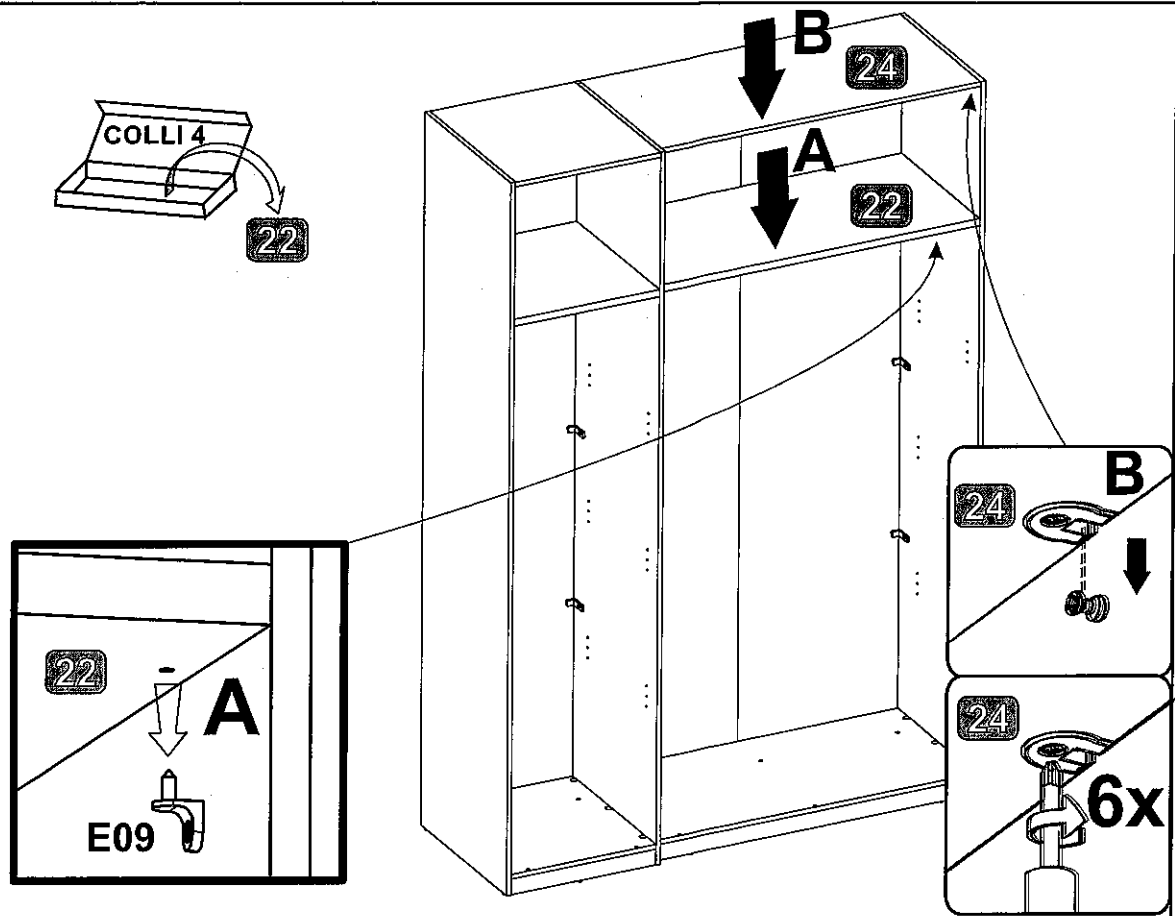
12



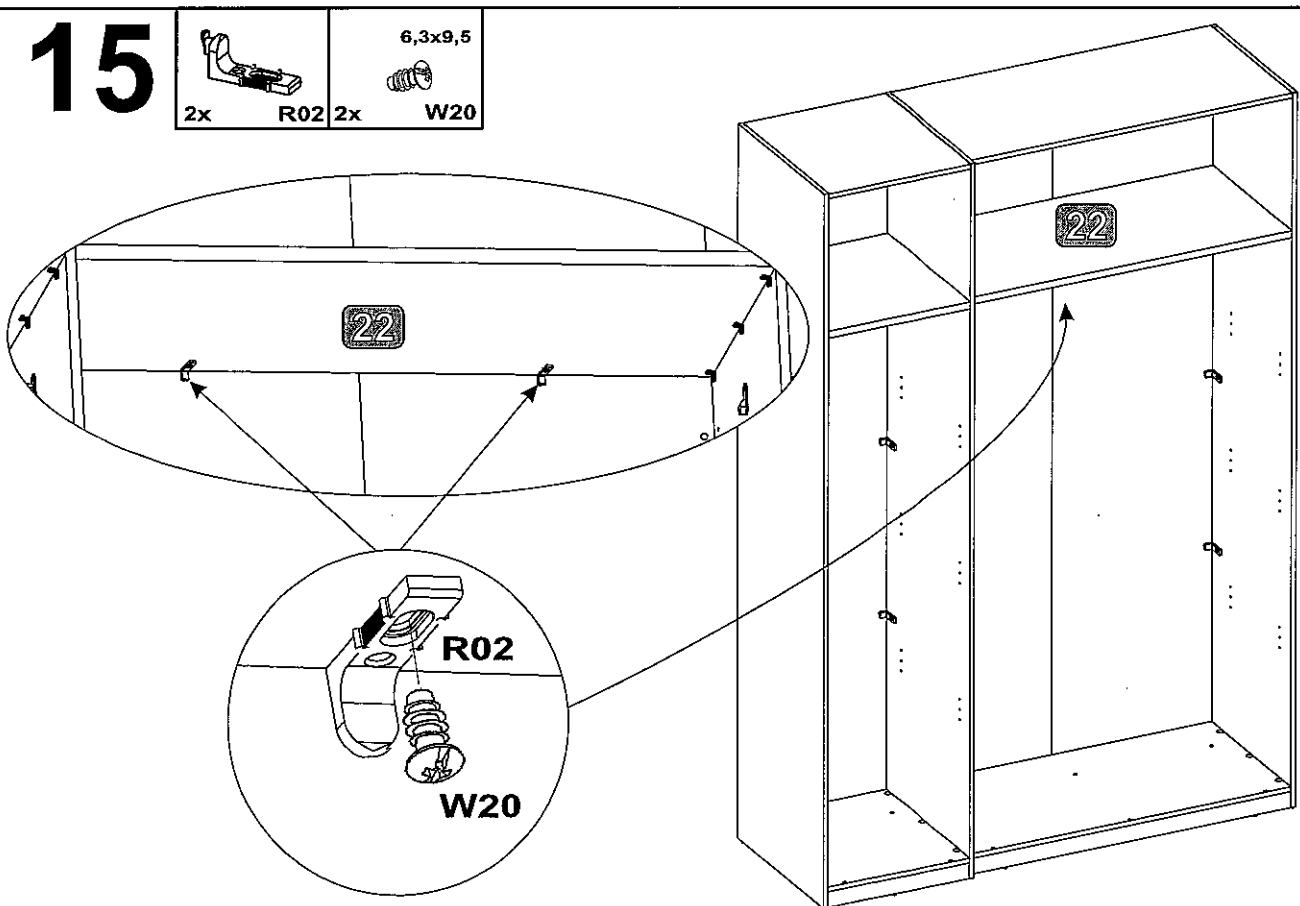
13



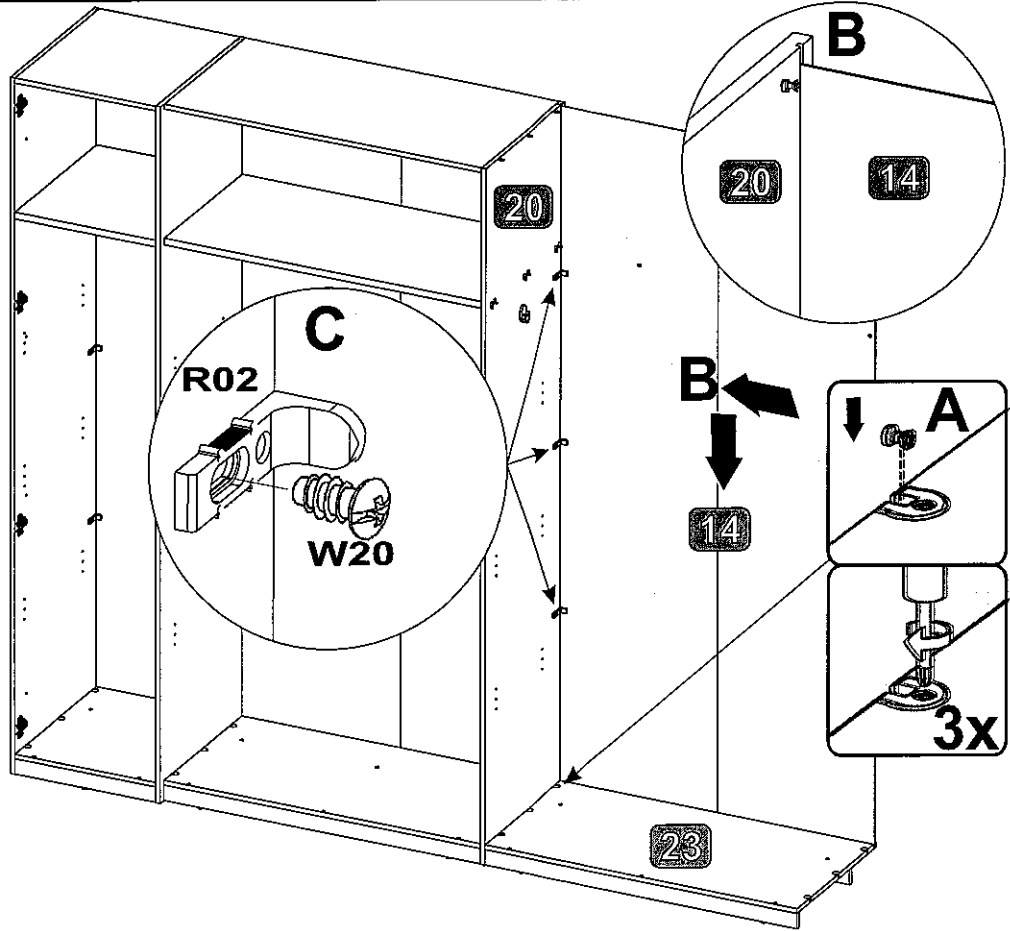
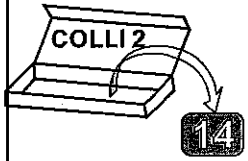
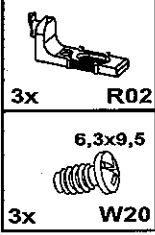
14



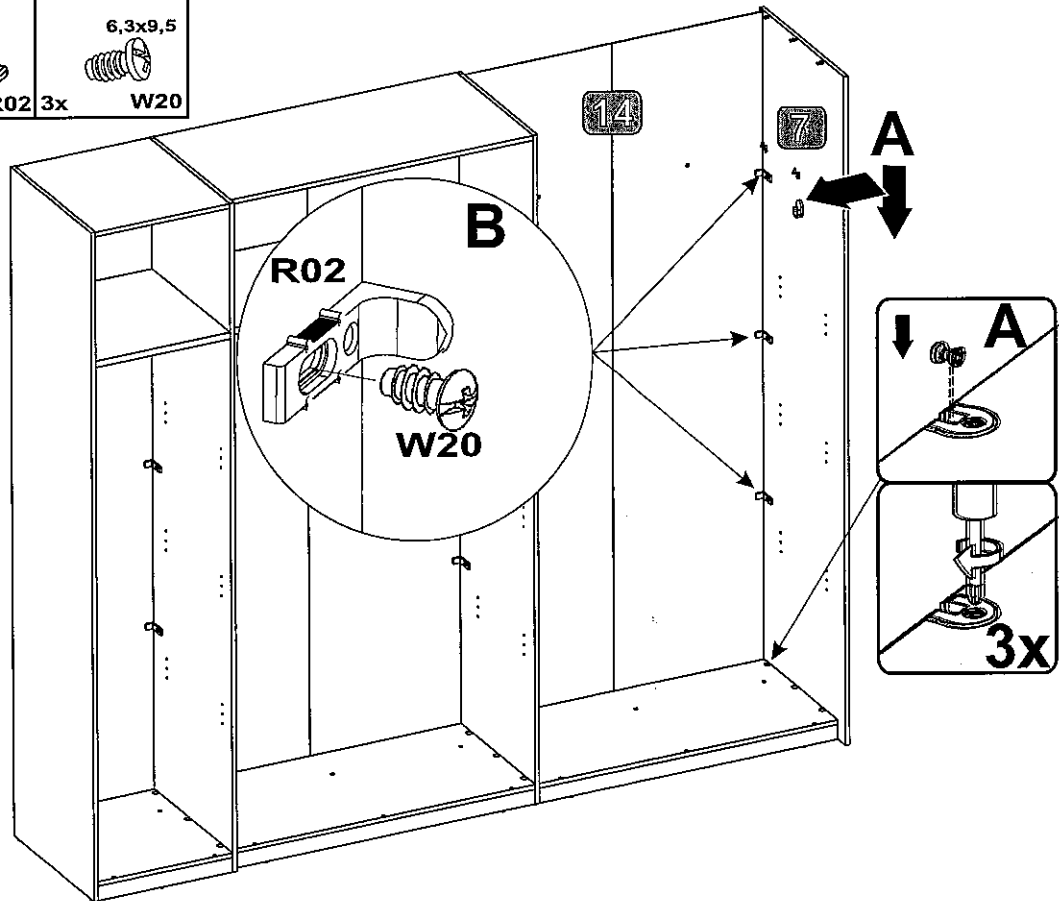
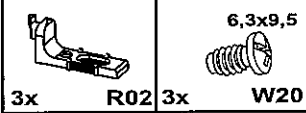
15



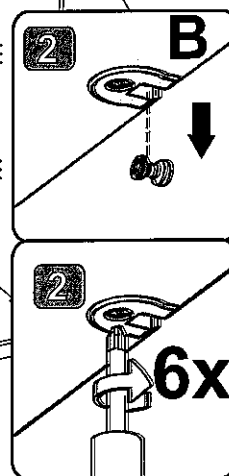
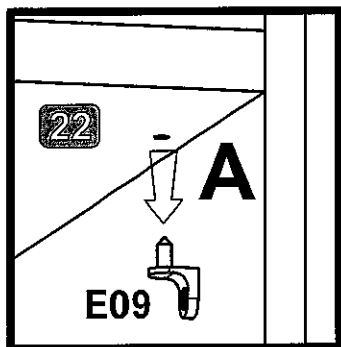
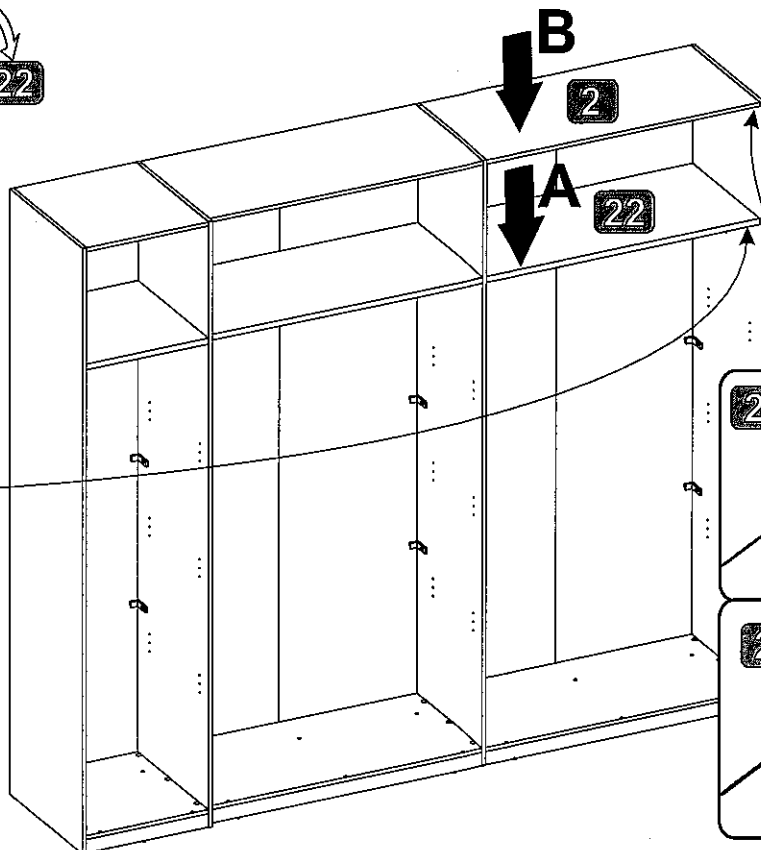
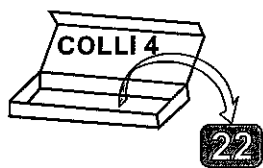
16



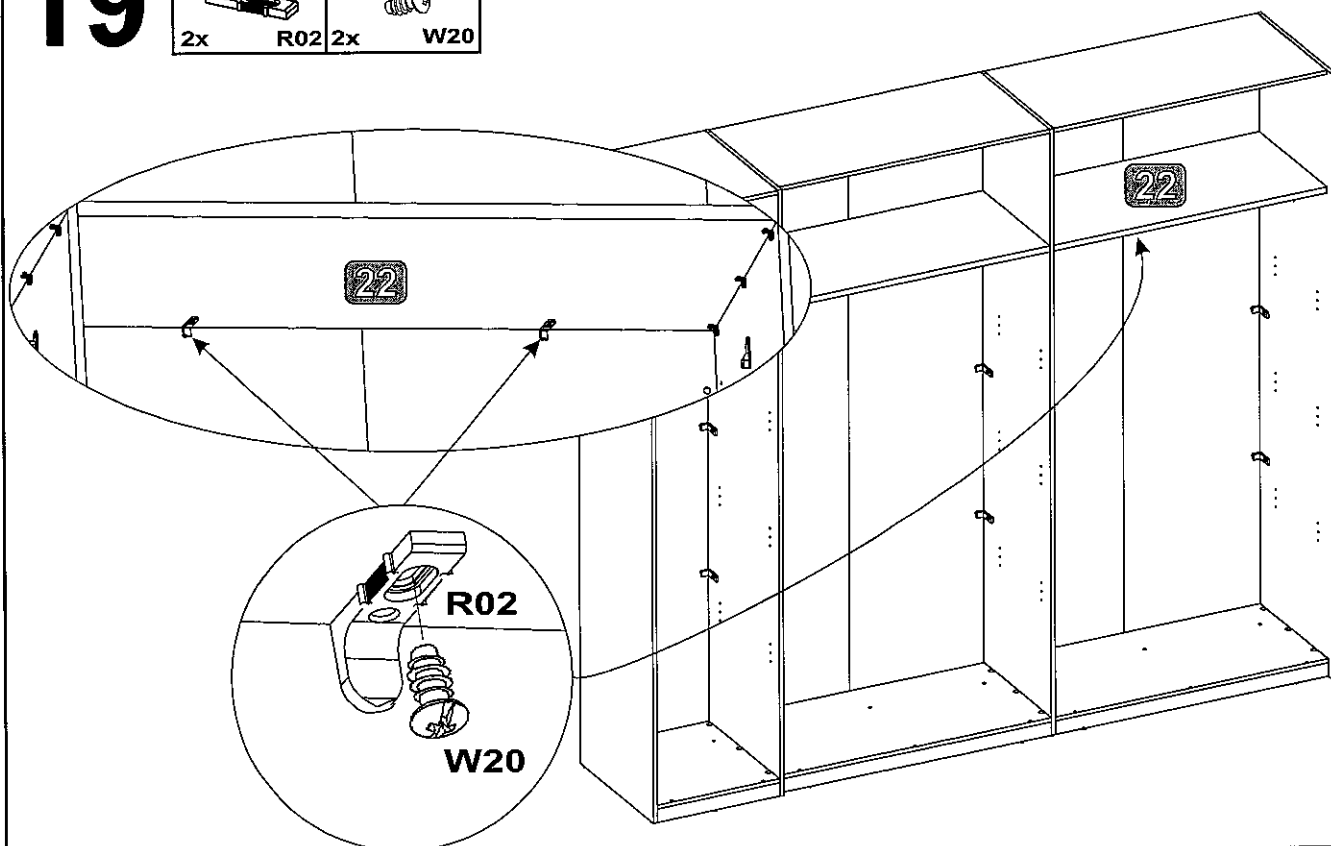
17



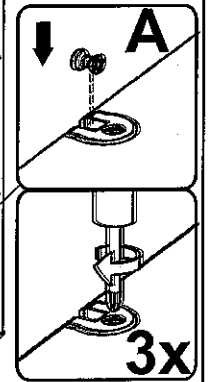
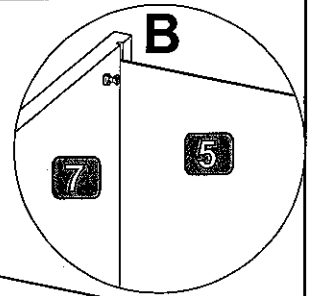
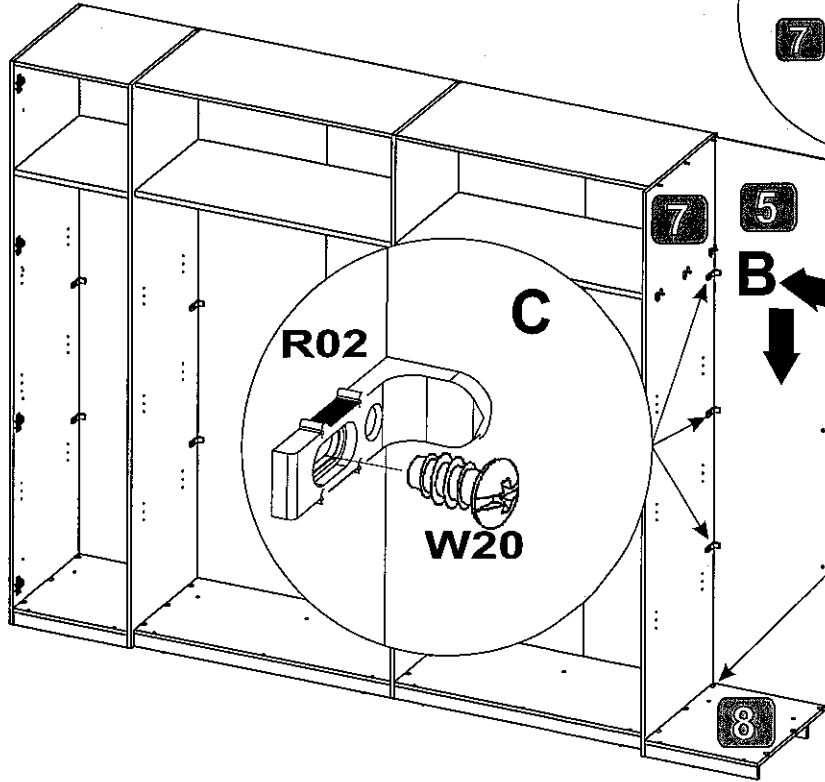
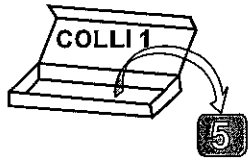
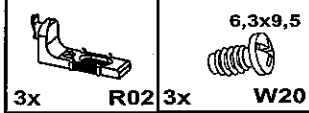
18



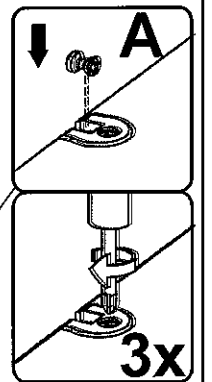
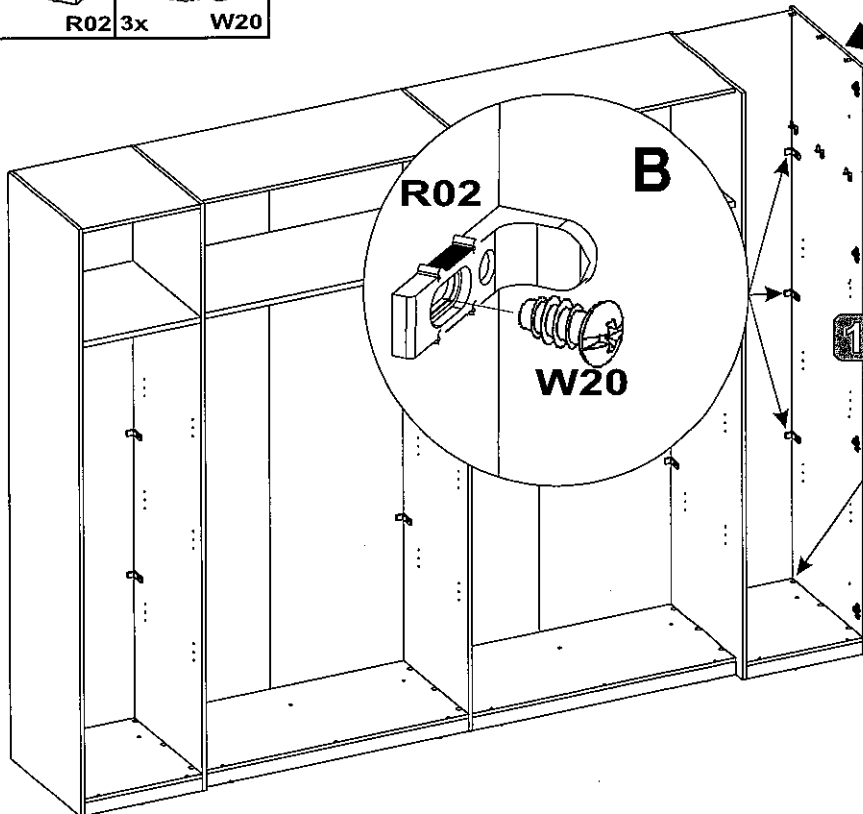
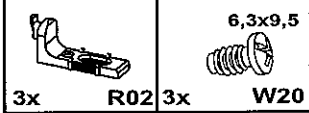
19



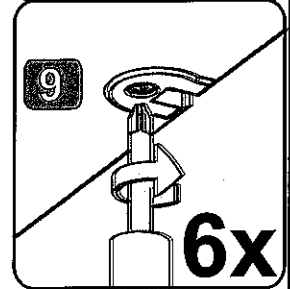
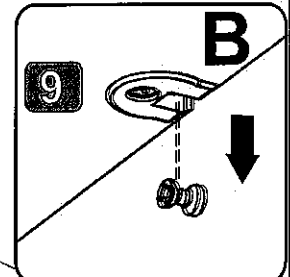
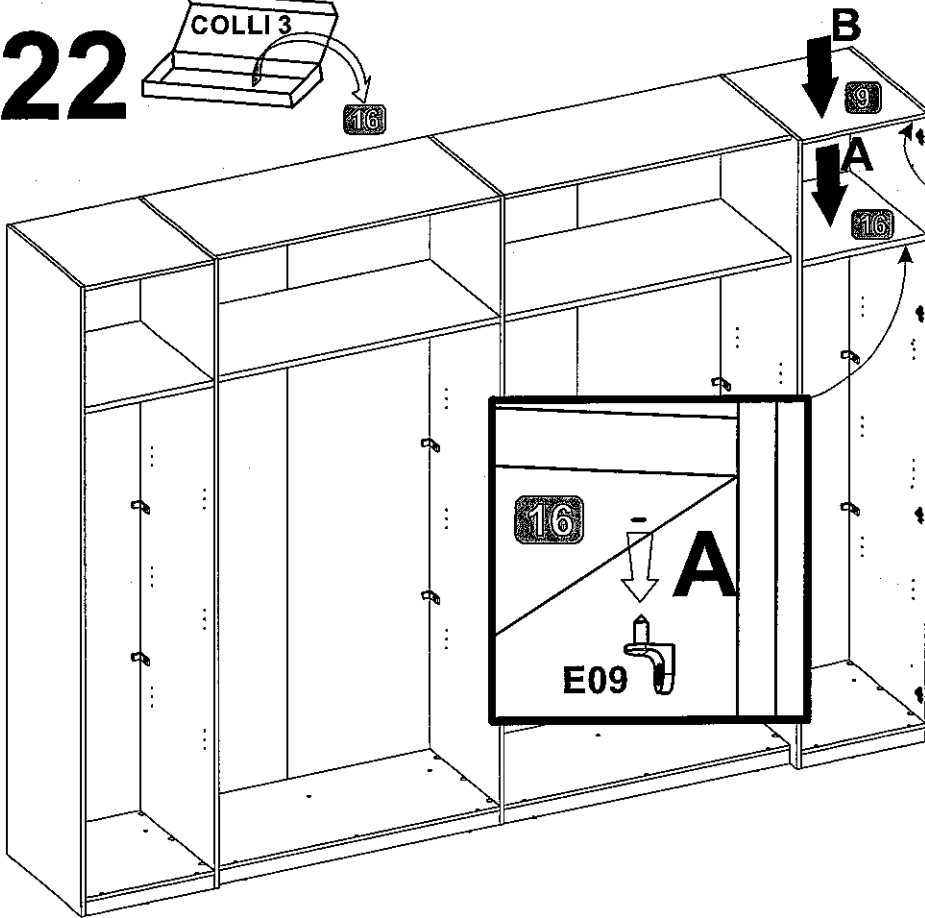
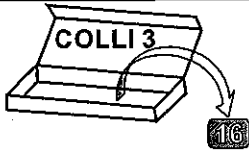
20



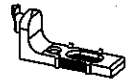
21



22



23

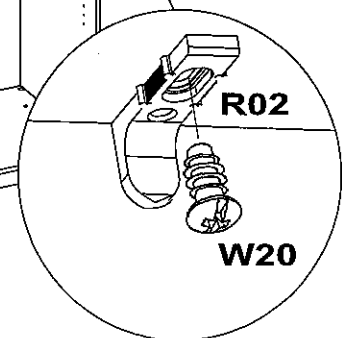
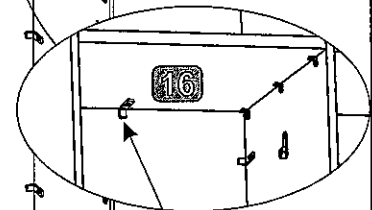
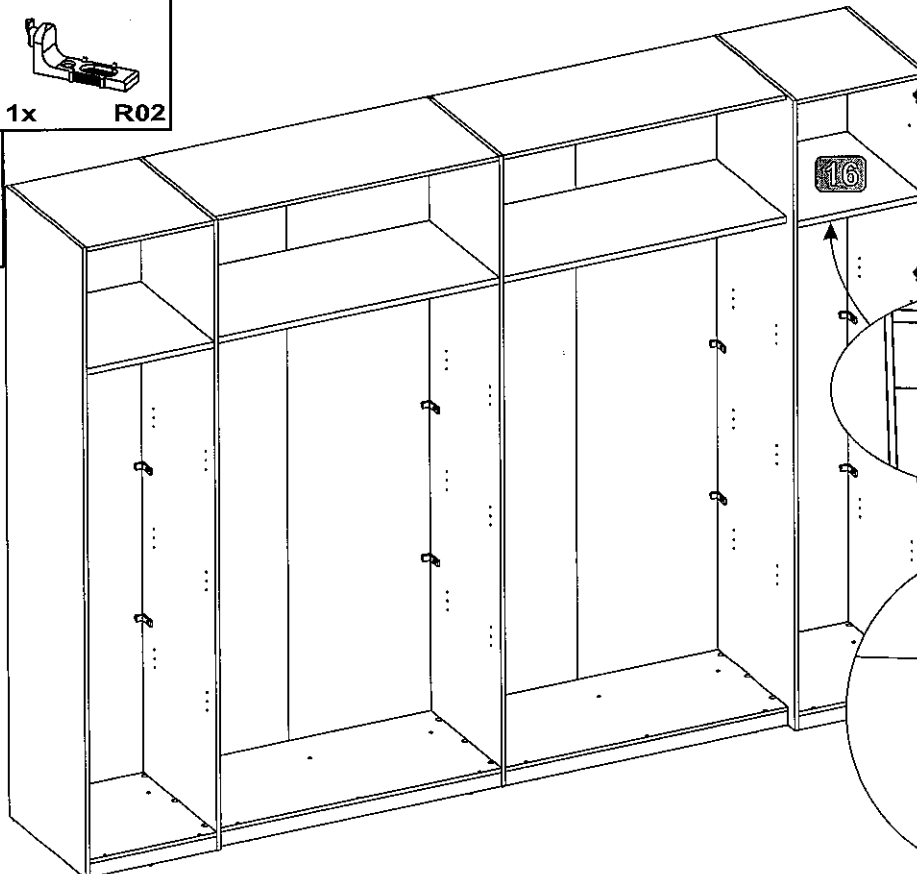


1x

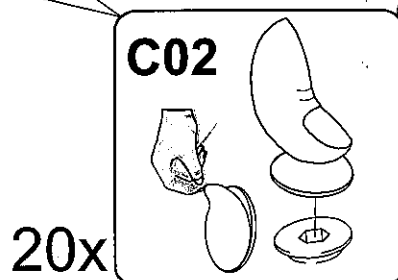
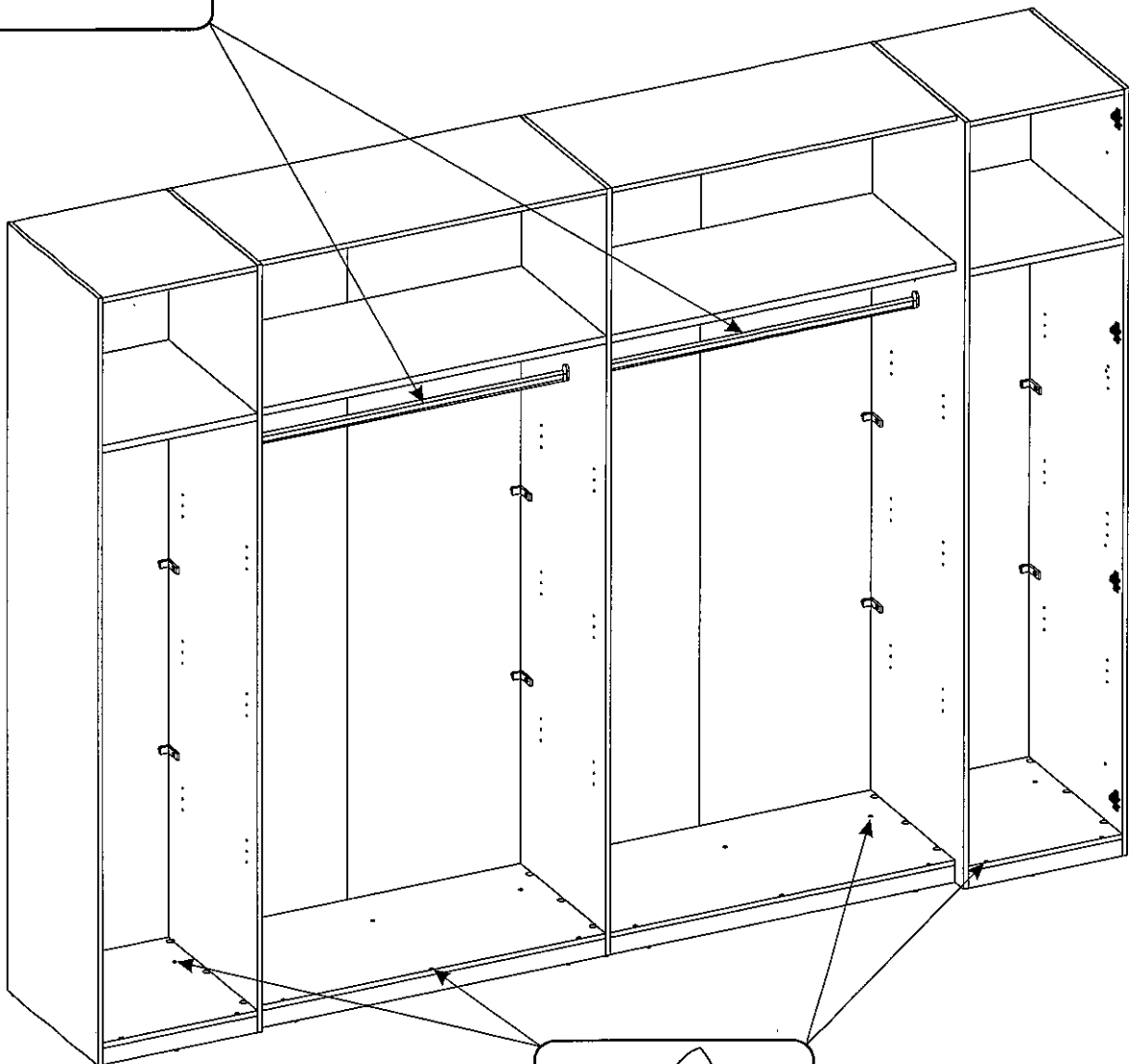
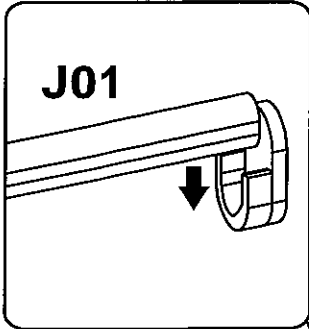
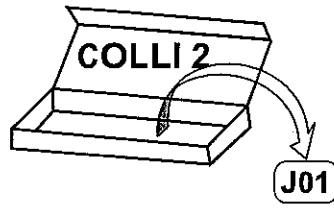
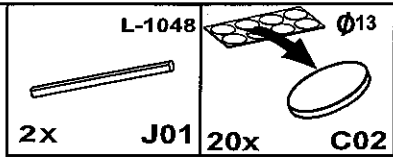
6,3x9,5




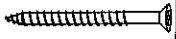



1x W20

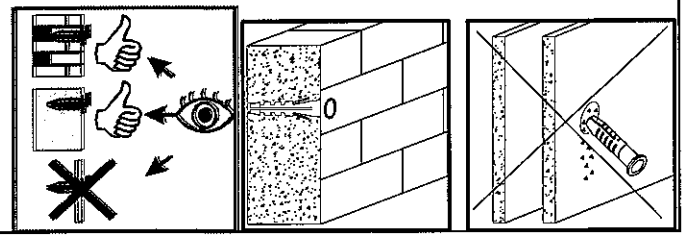
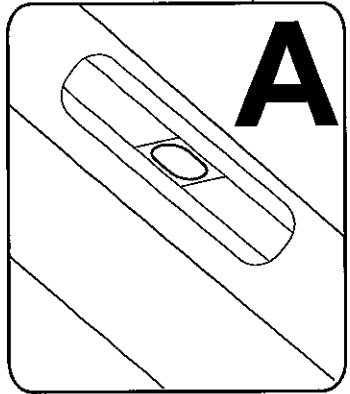
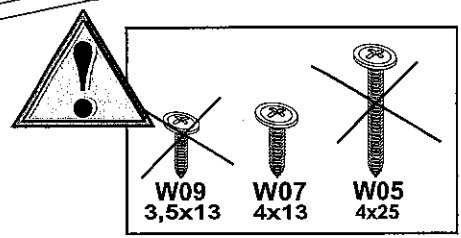
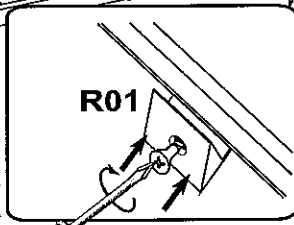
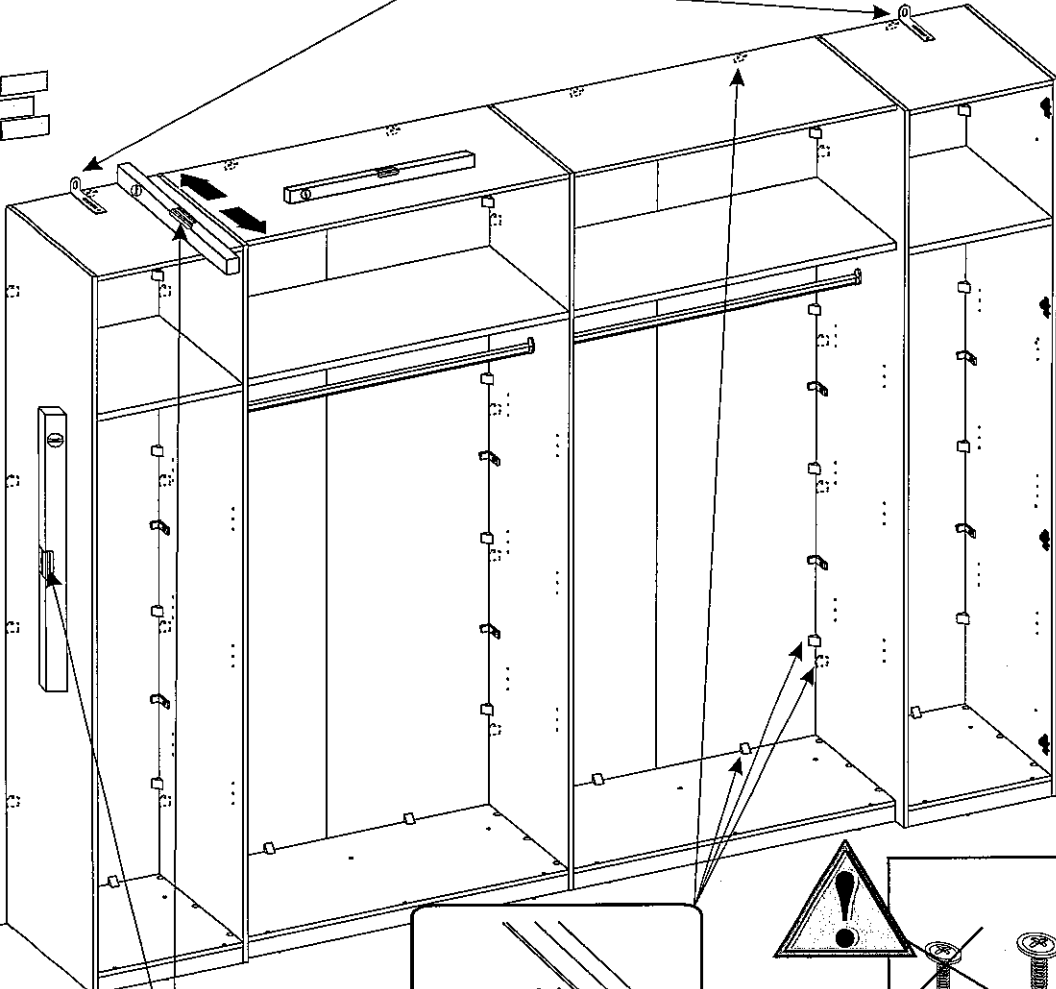
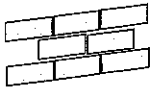
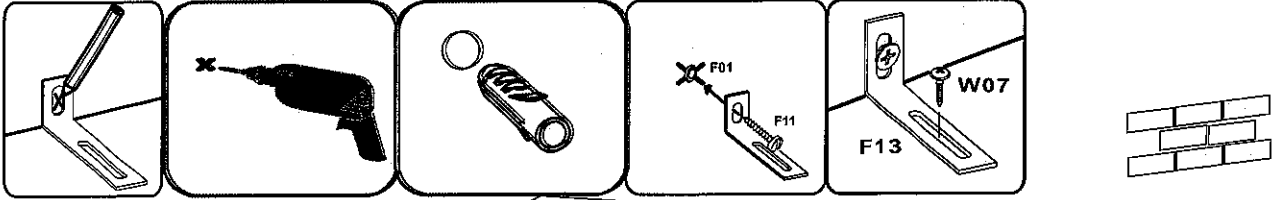


24

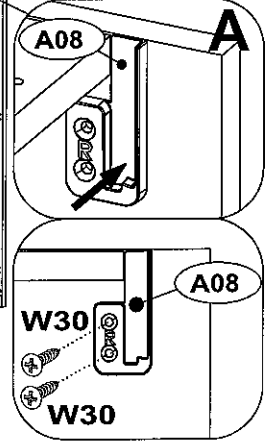
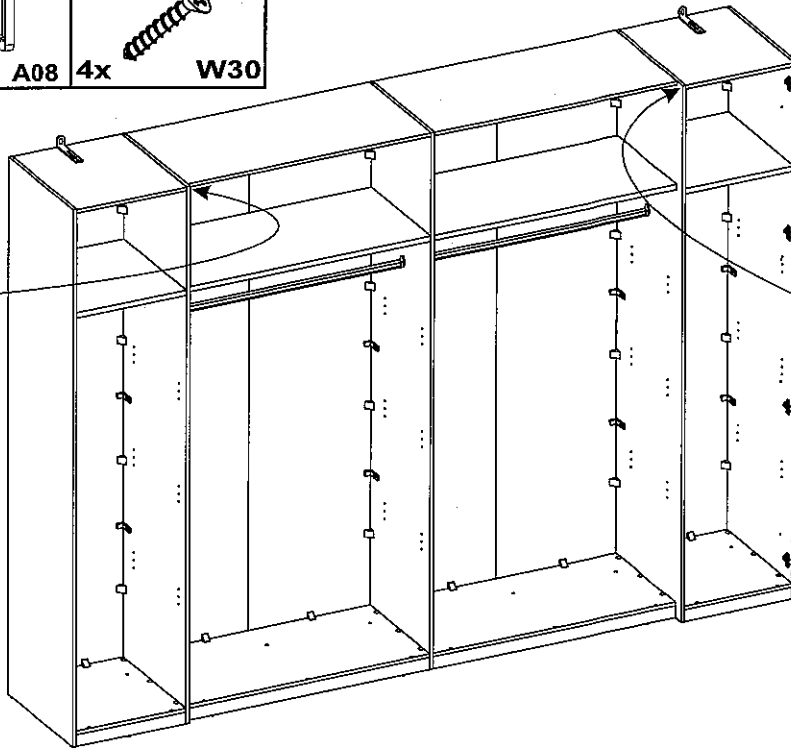
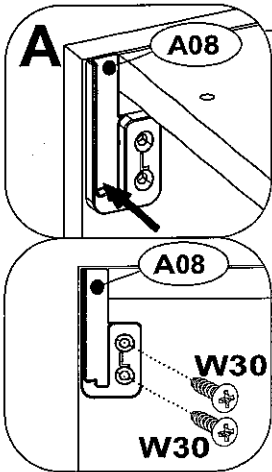
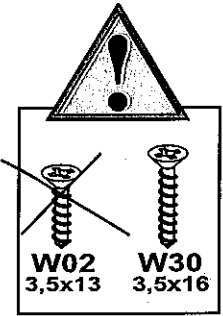
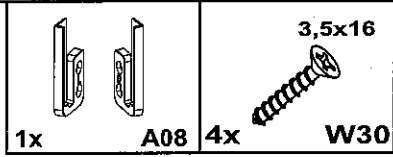


25

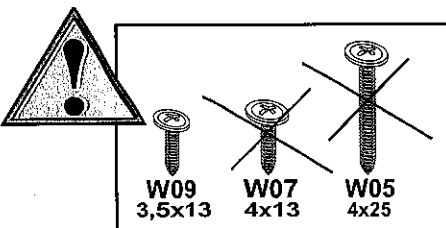
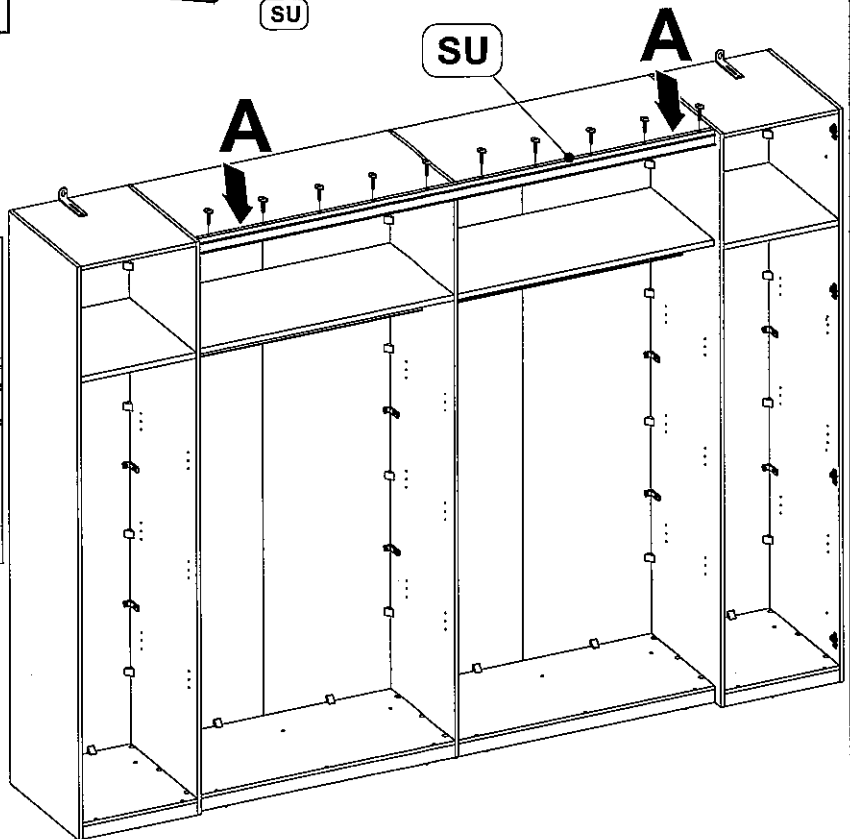
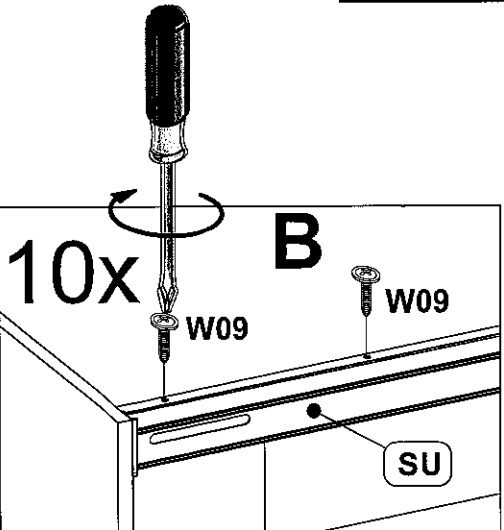
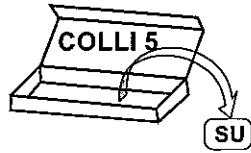
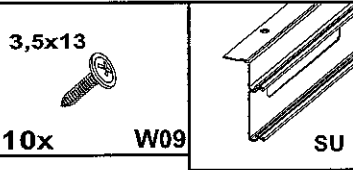
- | | | | | |
|---|---|---|---|--|
| 
2x F01 | 
2x F11 | 
2x F13 | 
4x13
2x W07 | 
44x R01 |
|---|---|---|---|--|



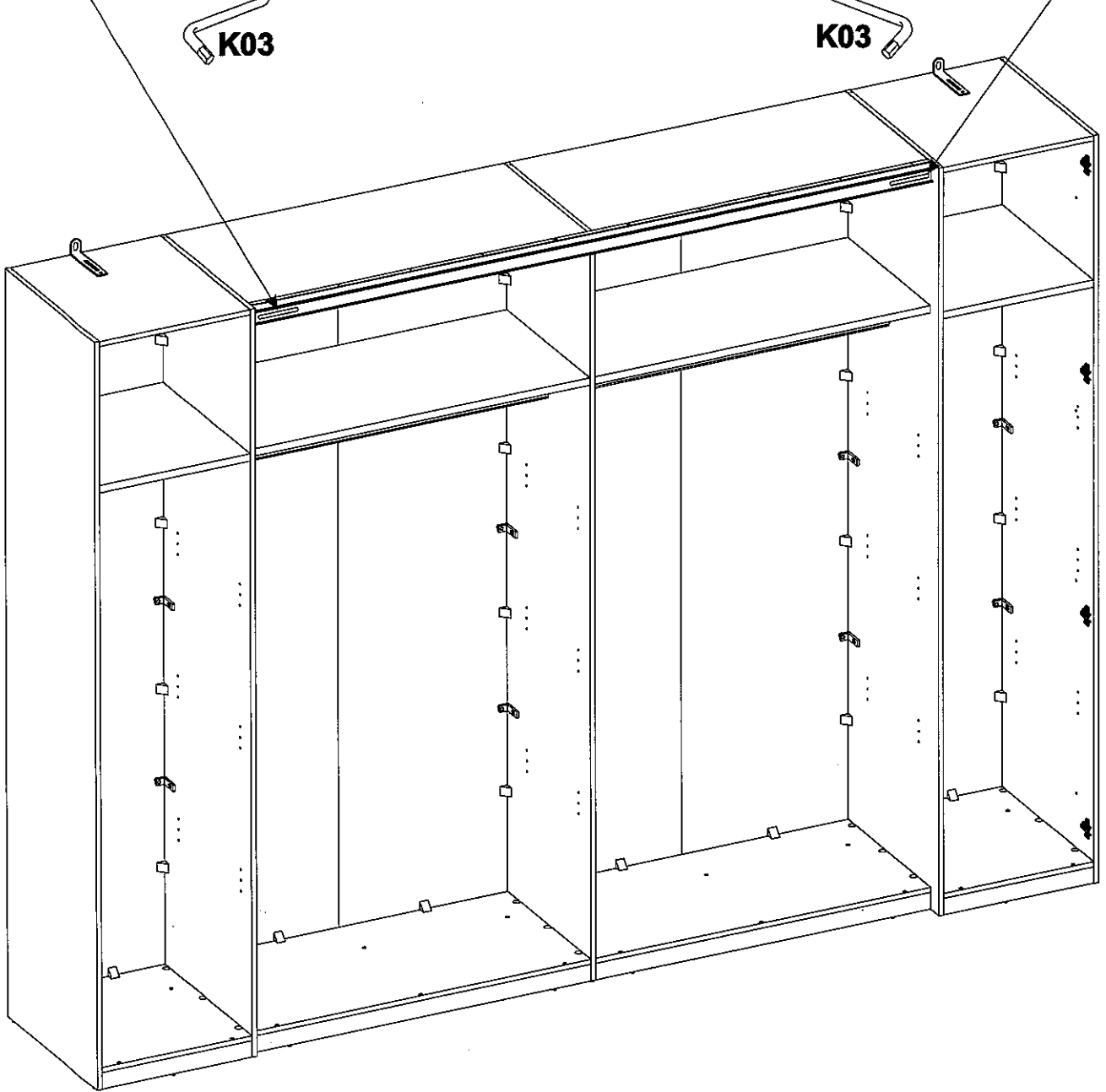
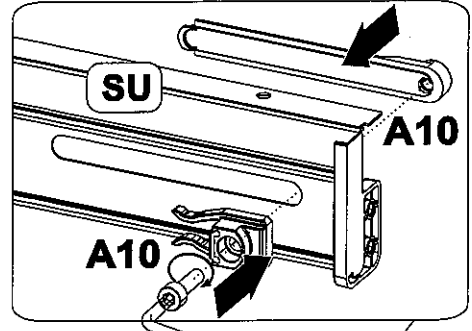
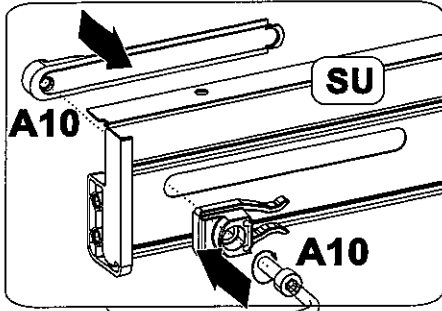
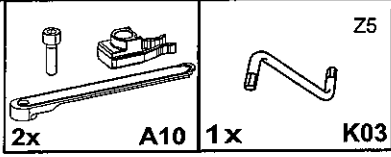
26



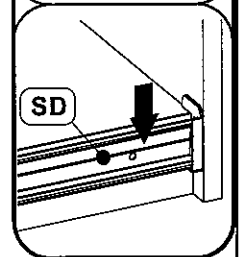
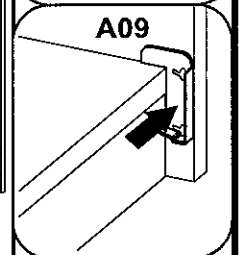
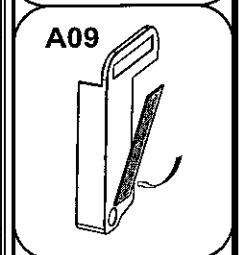
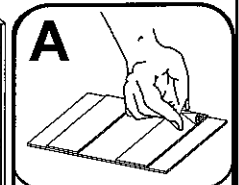
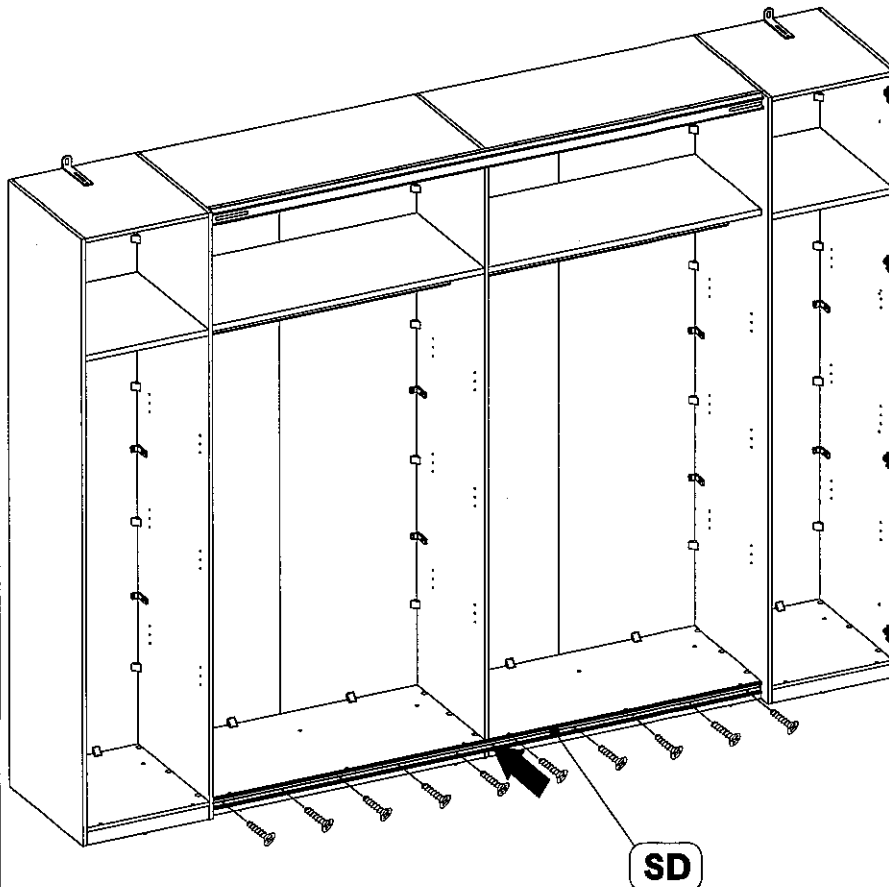
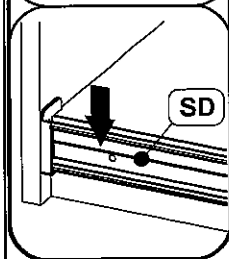
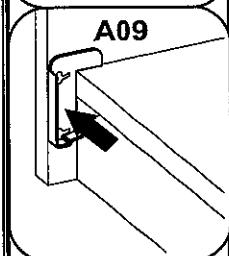
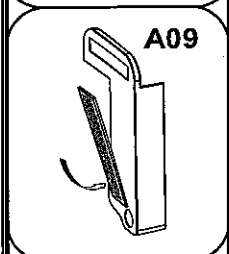
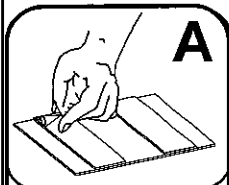
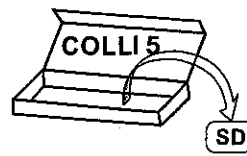
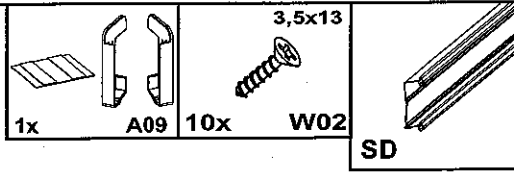
27



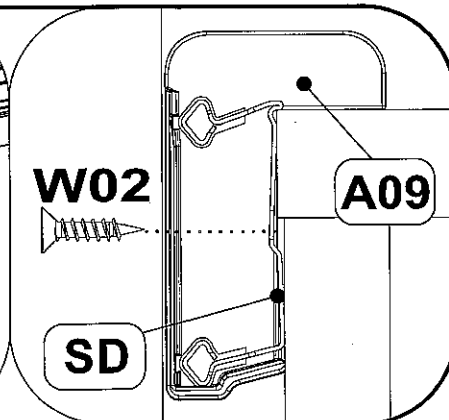
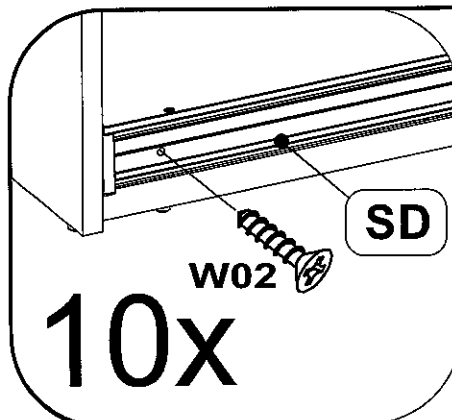
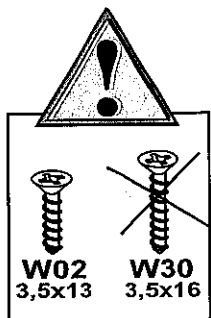
28



29

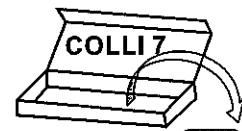


B

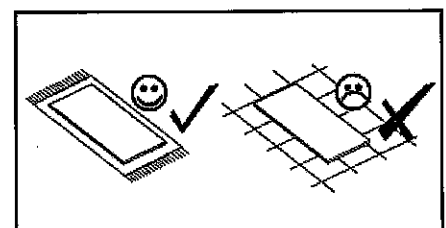
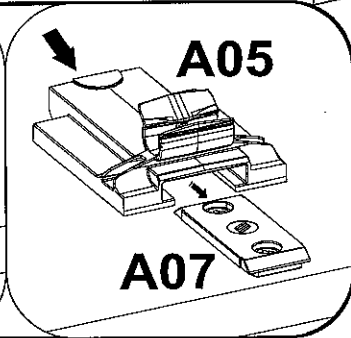
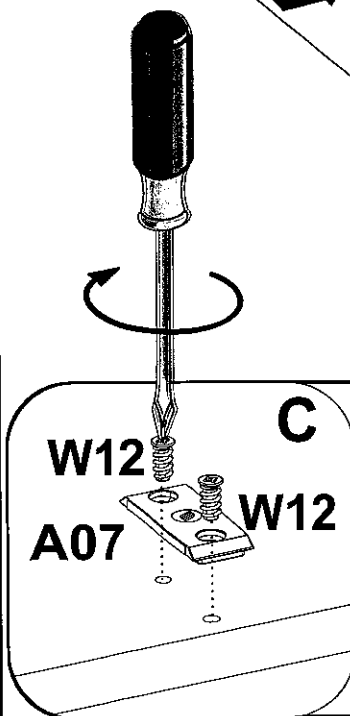
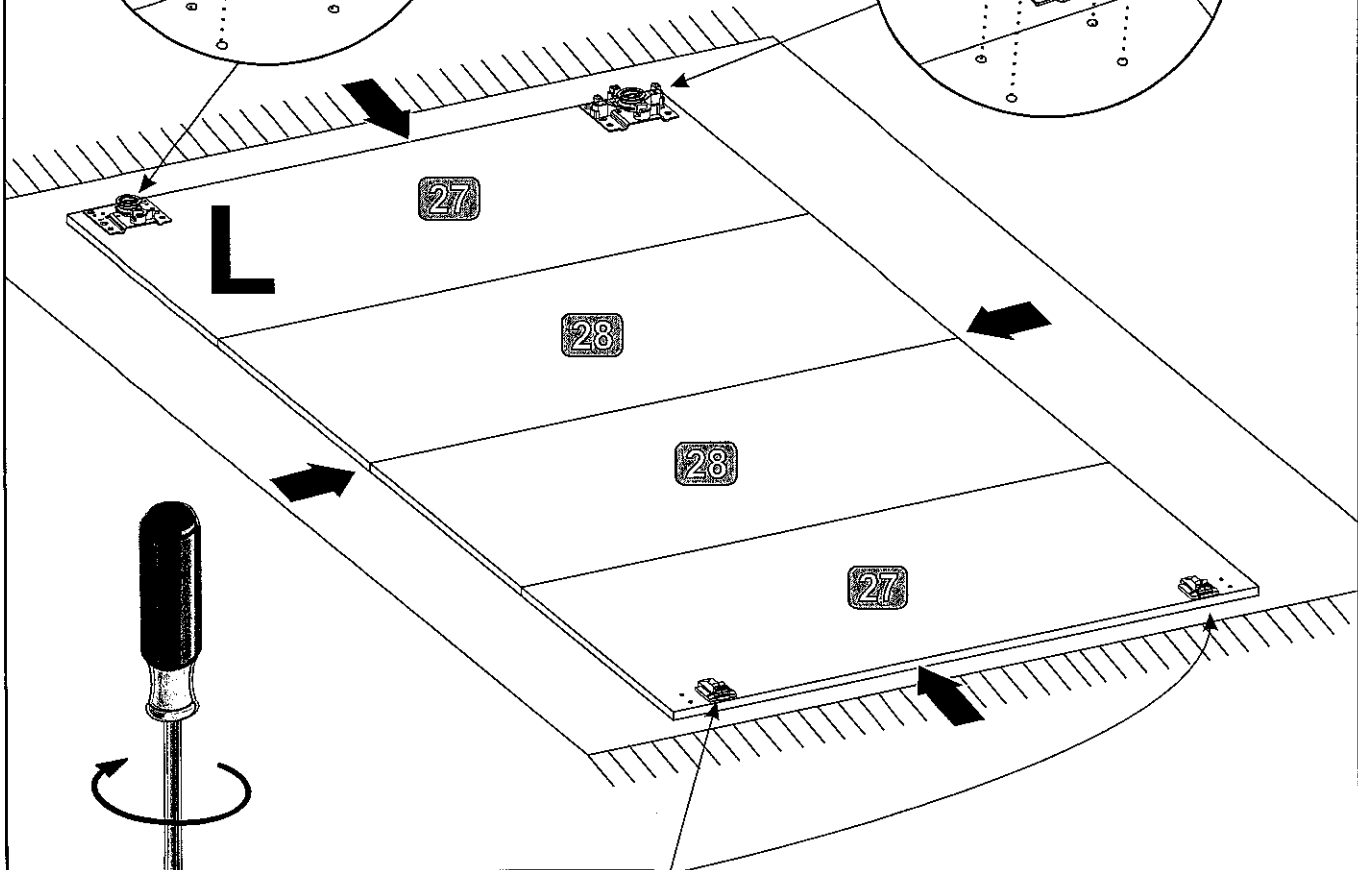
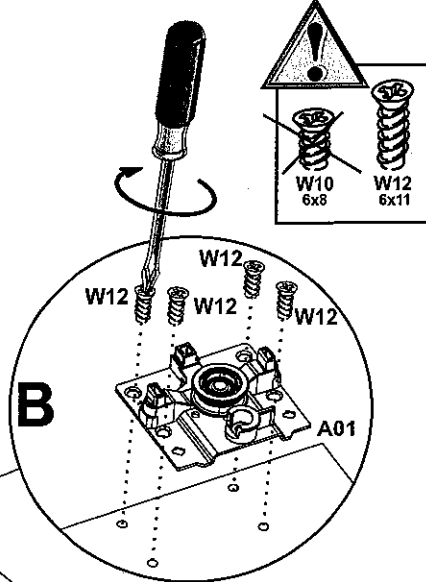
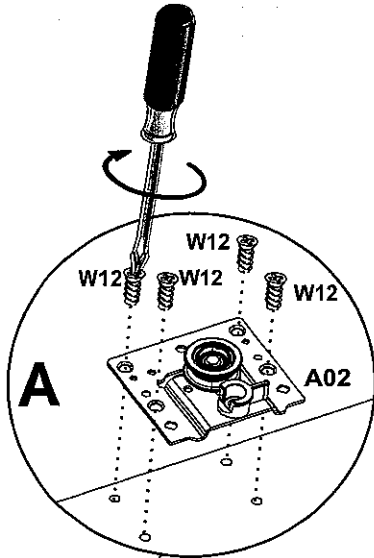


30

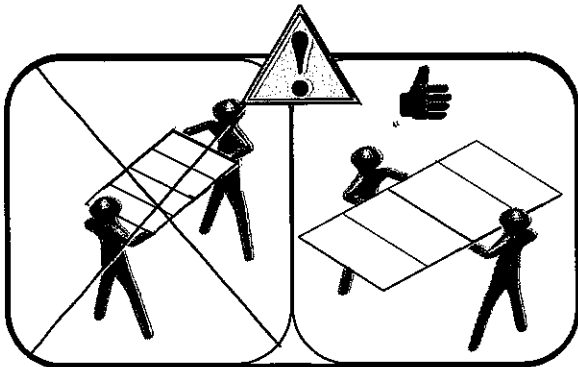
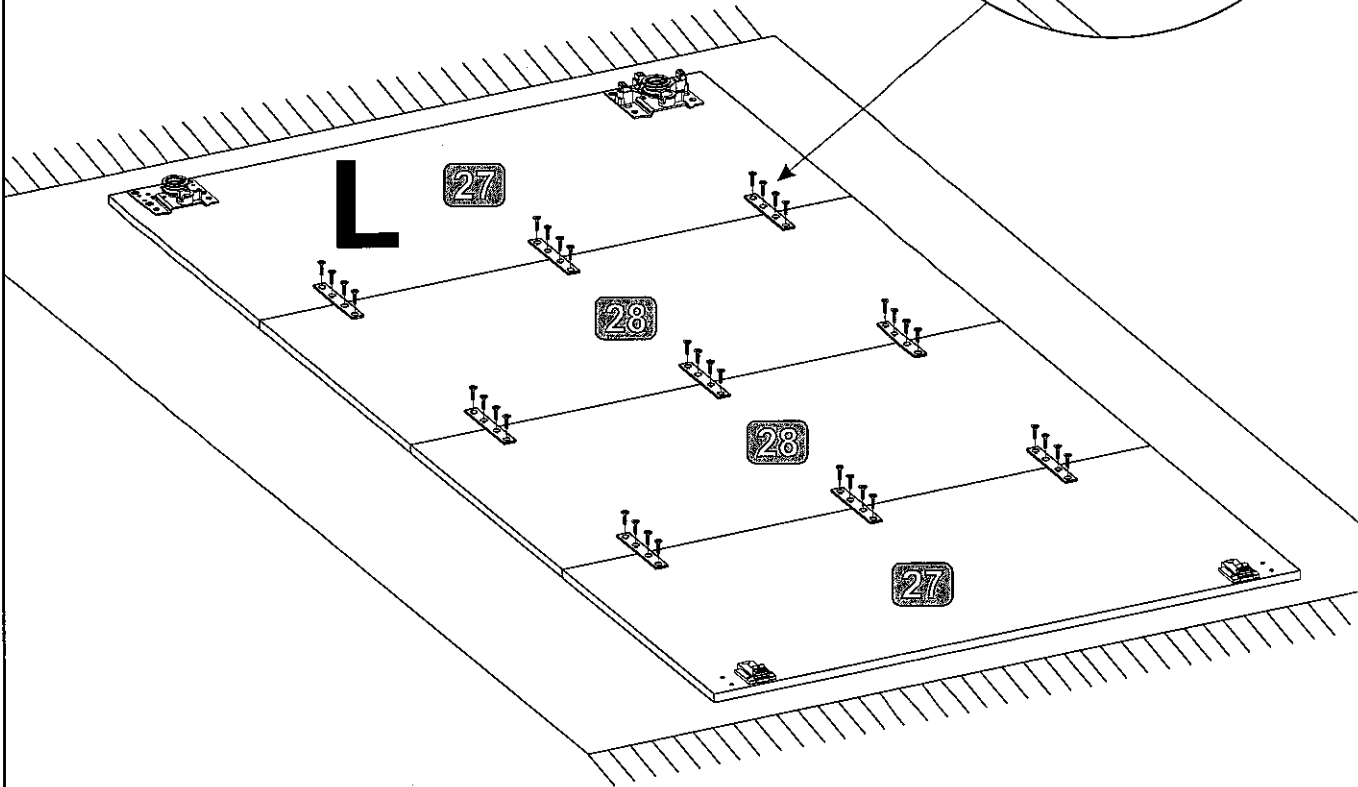
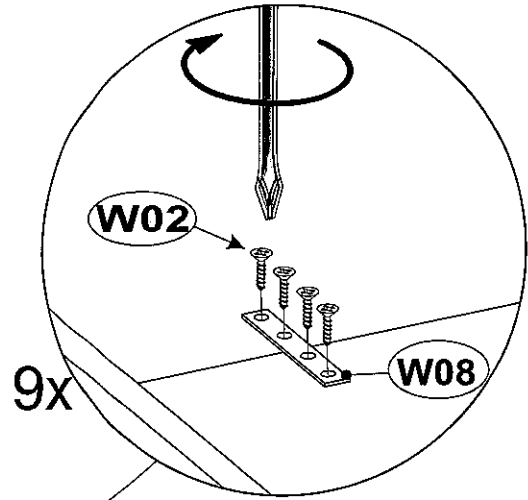
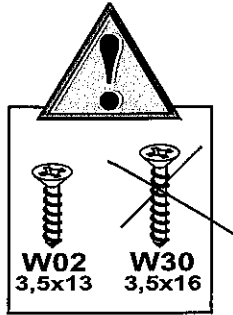
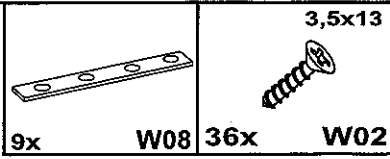
- 2x A07
- 2x A05
- 12x W12
- 1x A01
- 1x A02



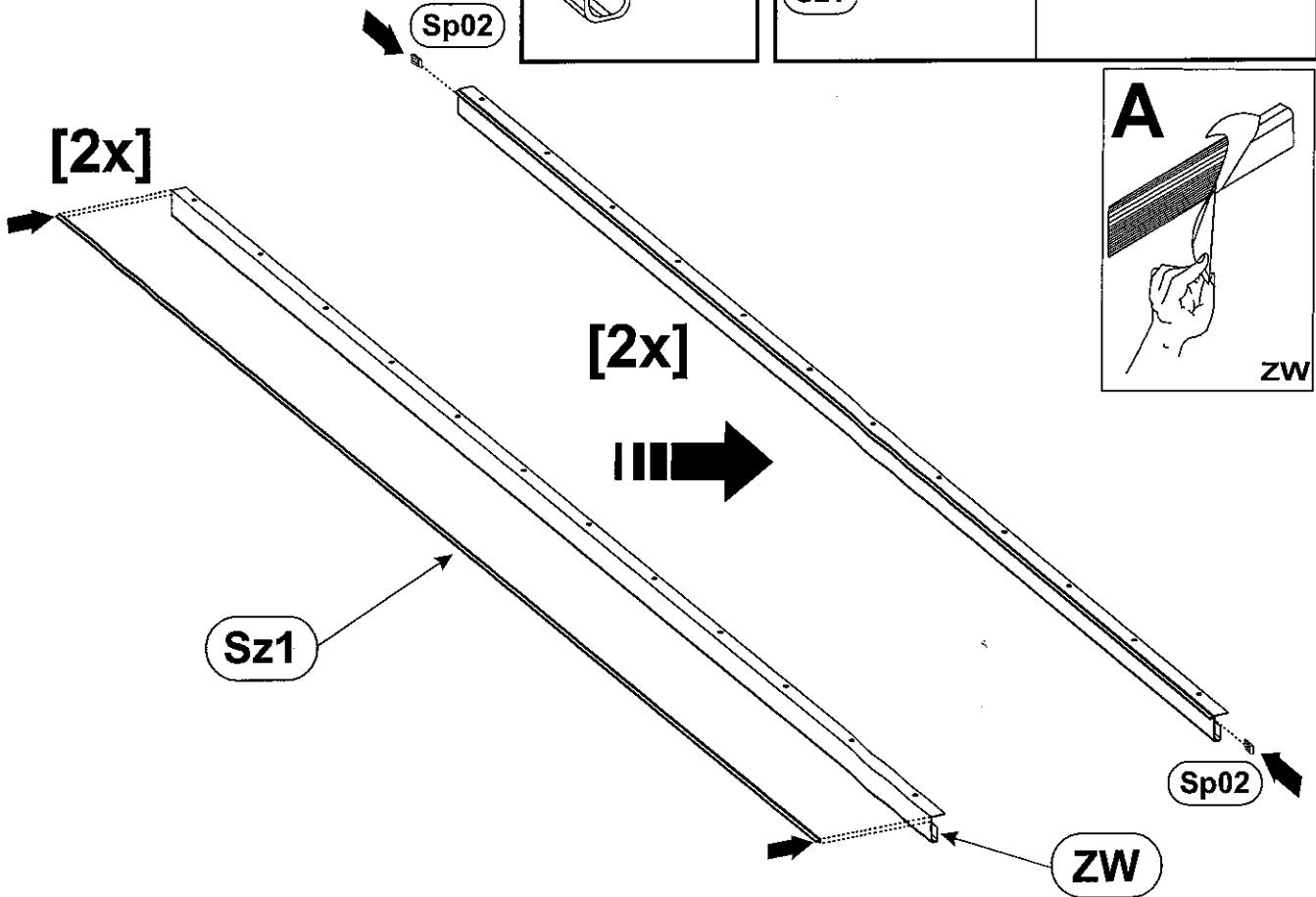
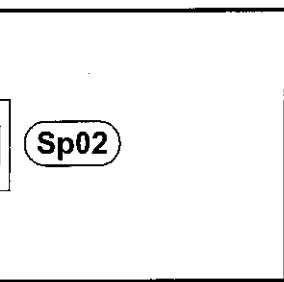
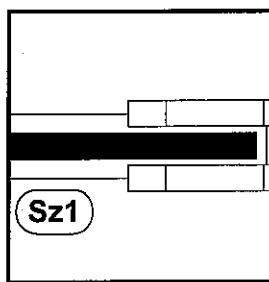
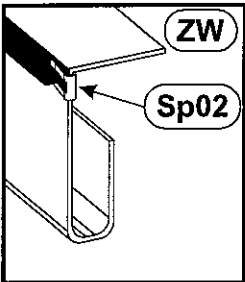
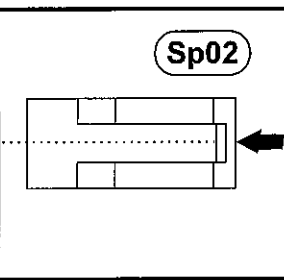
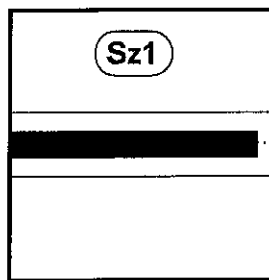
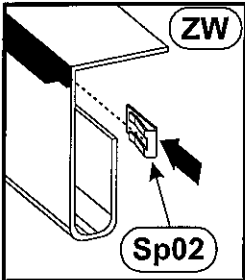
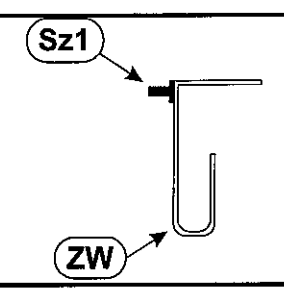
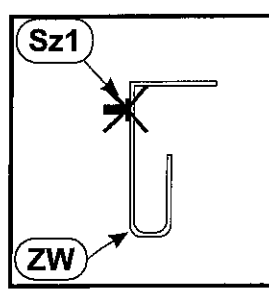
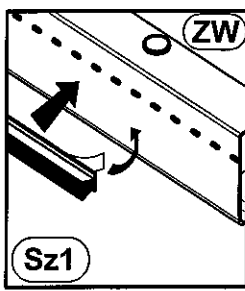
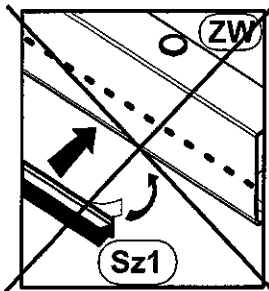
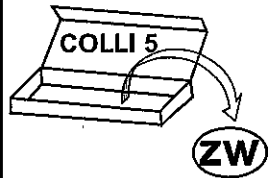
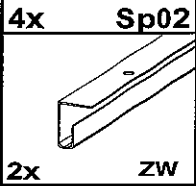
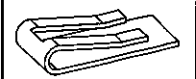
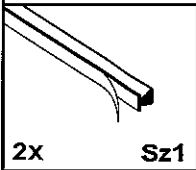
27 28



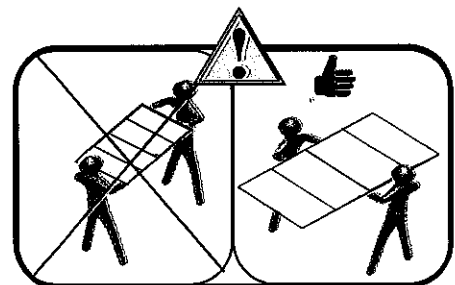
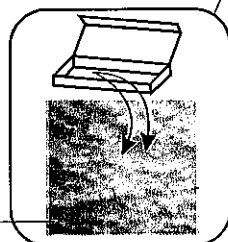
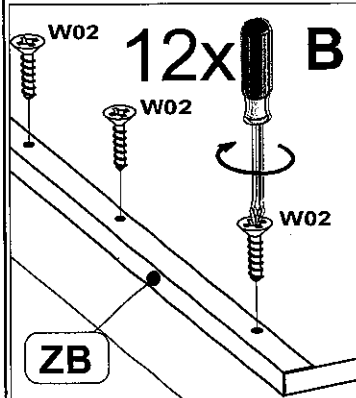
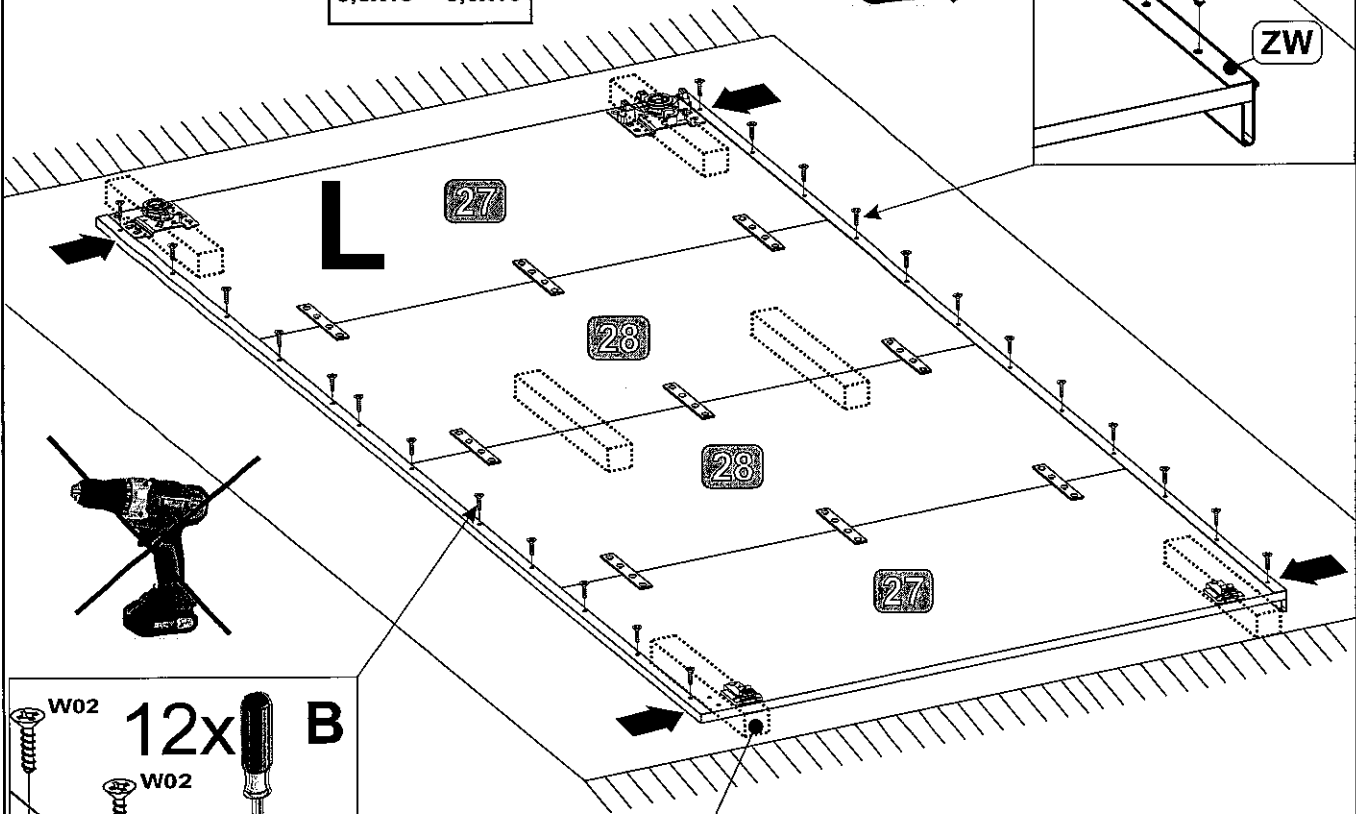
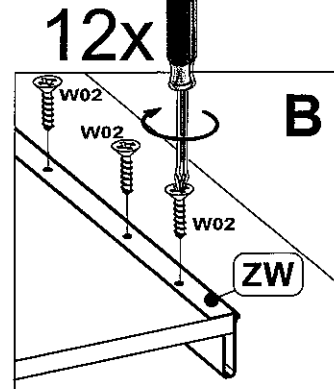
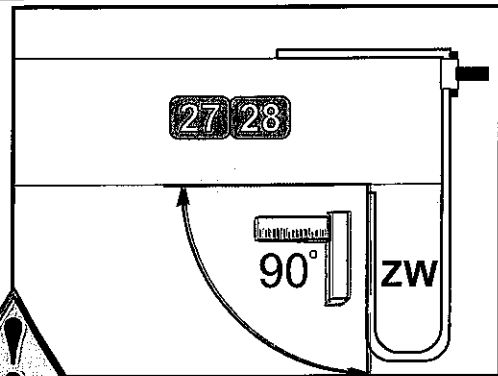
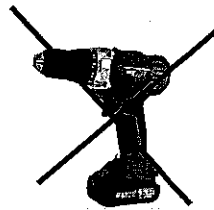
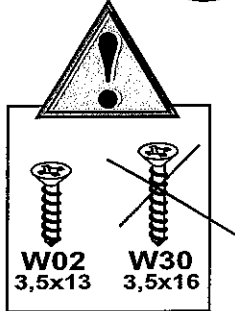
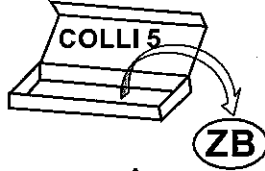
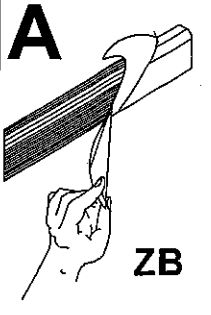
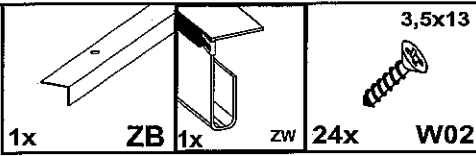
31



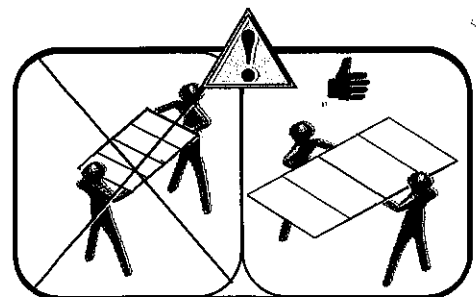
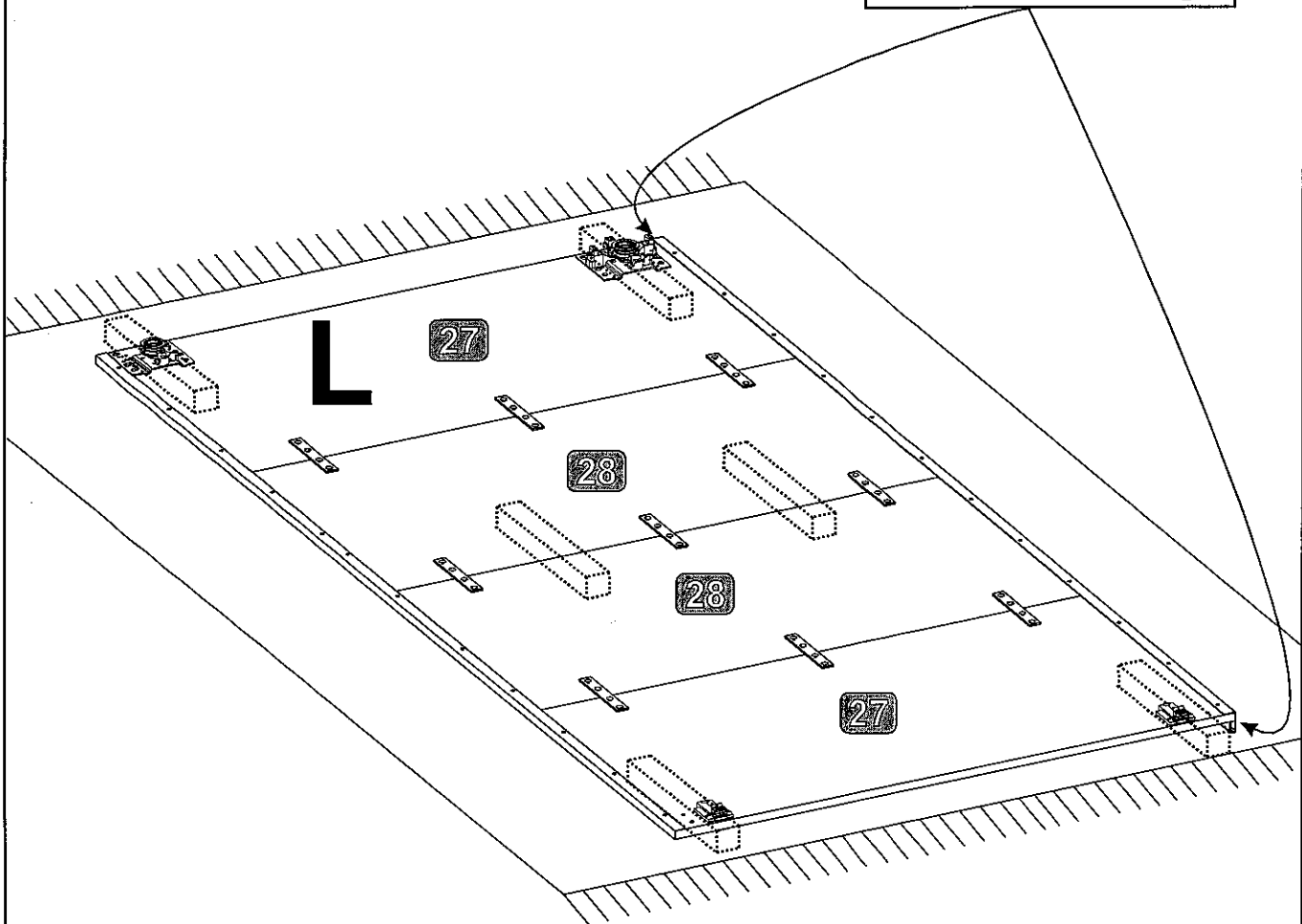
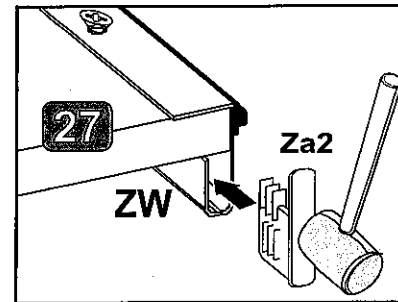
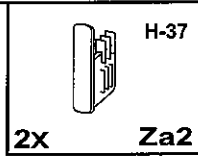
32



33



34



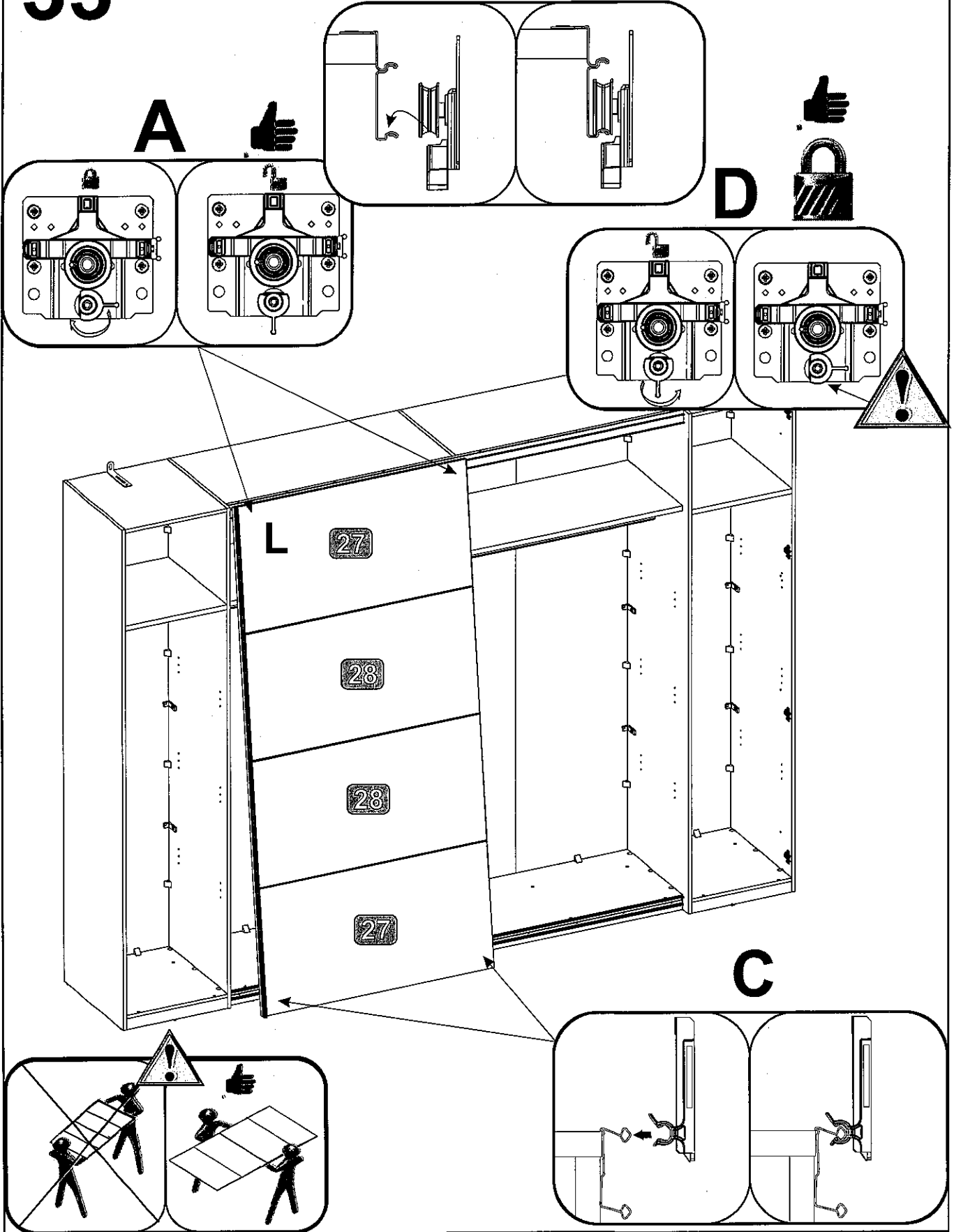
35

B

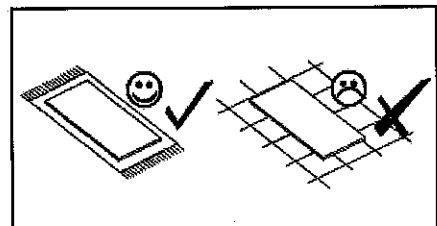
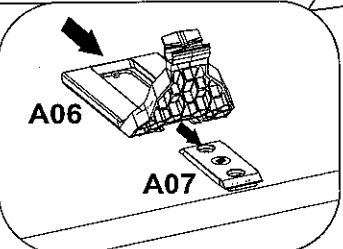
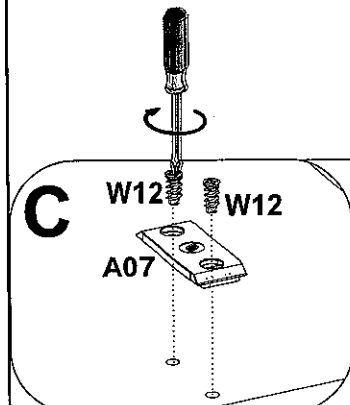
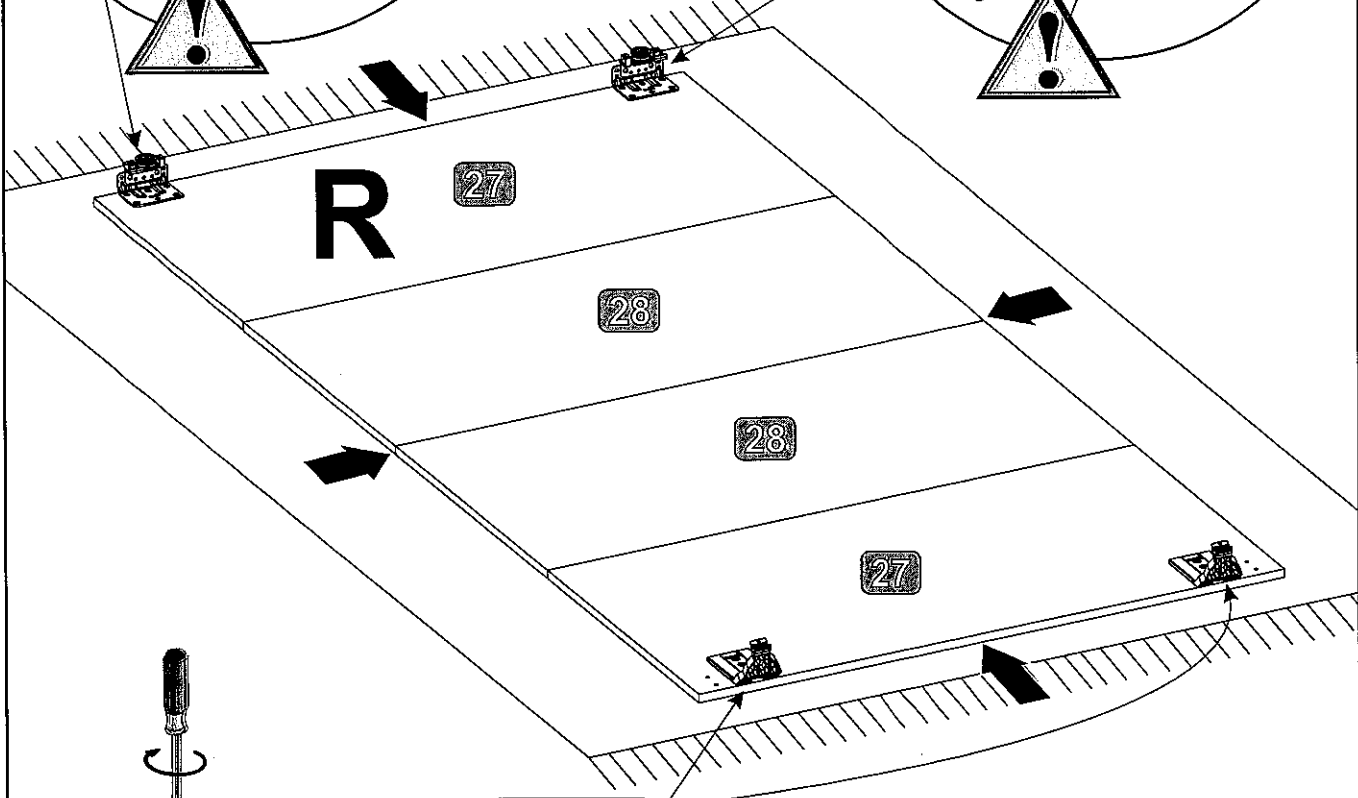
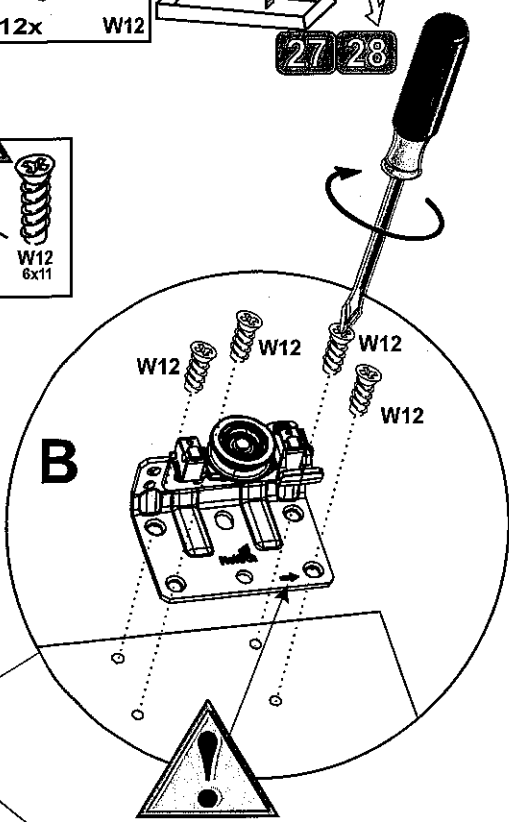
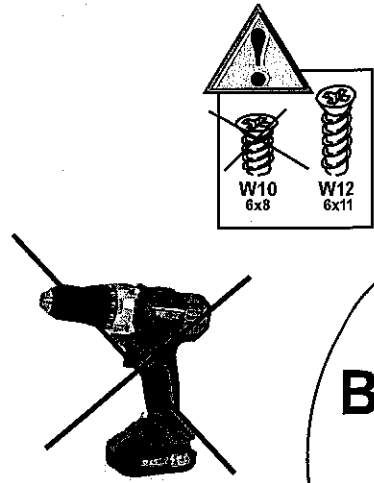
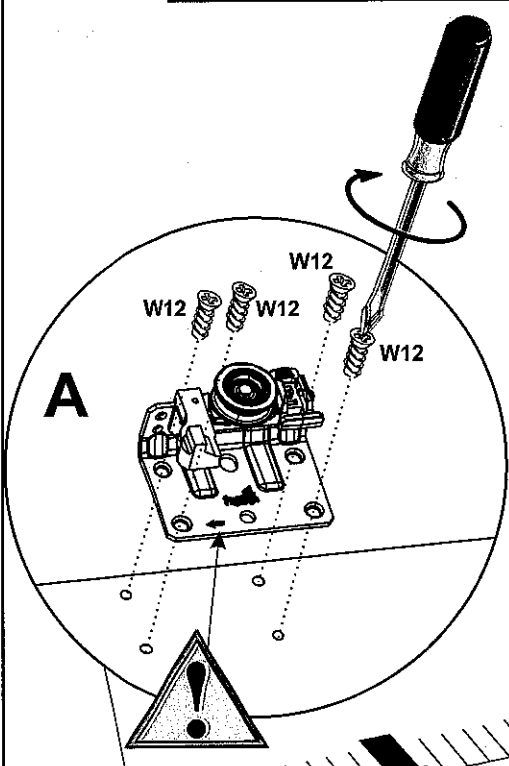
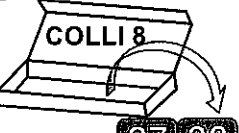
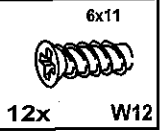
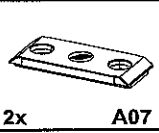
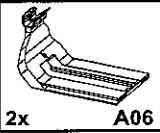
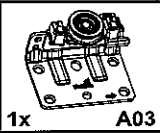
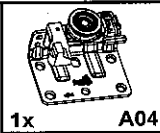
A

D

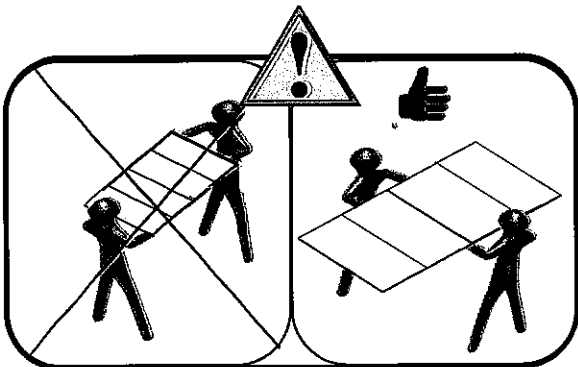
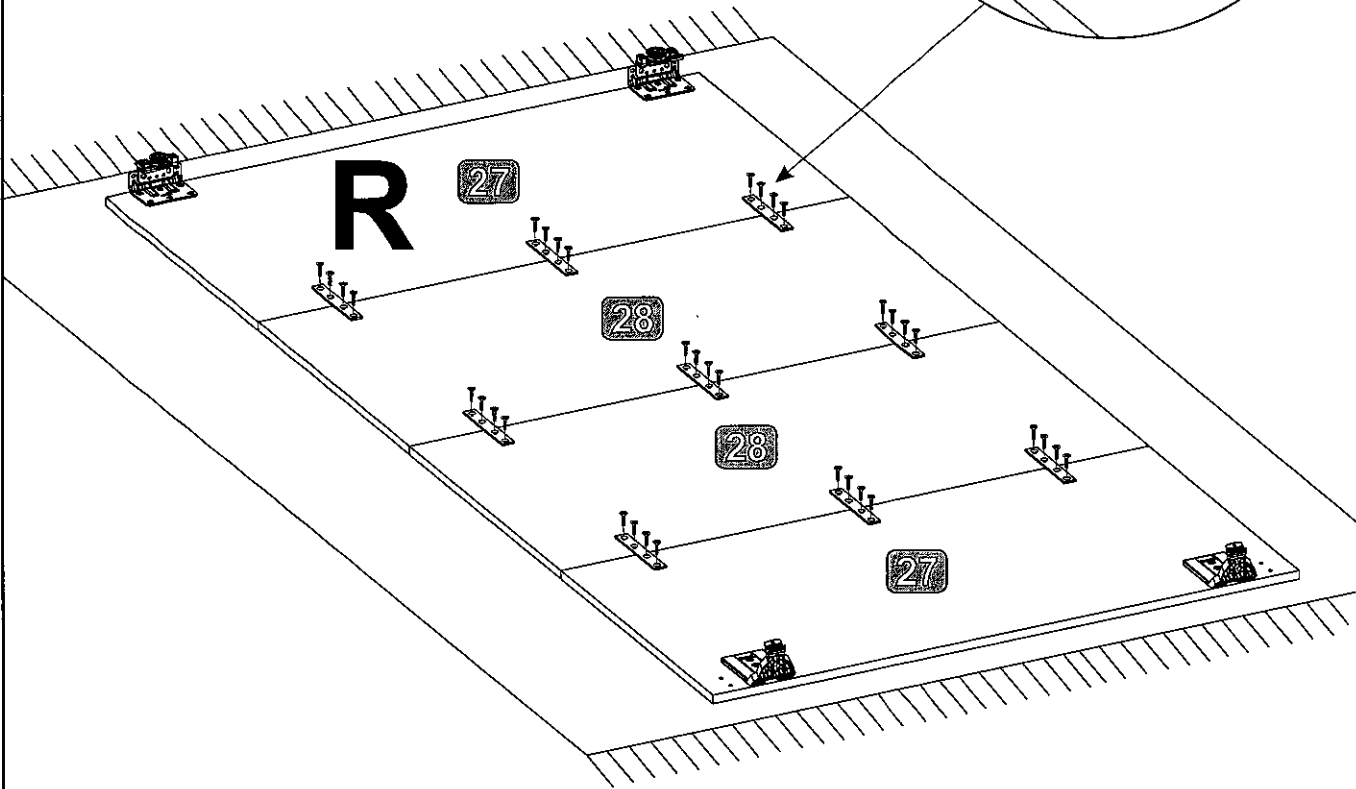
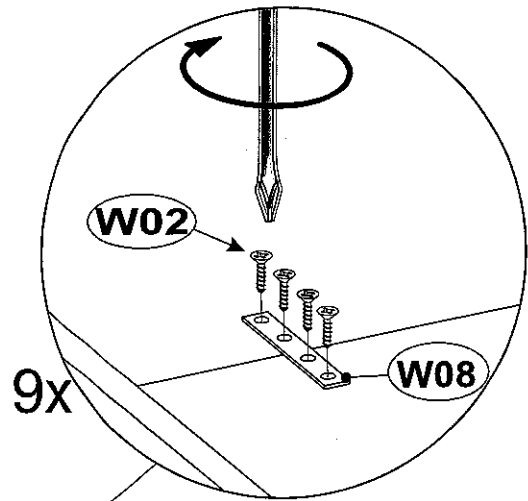
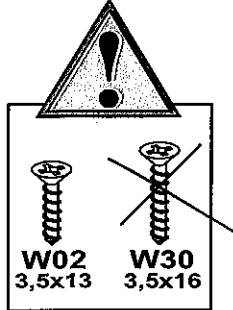
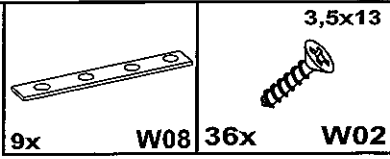
C



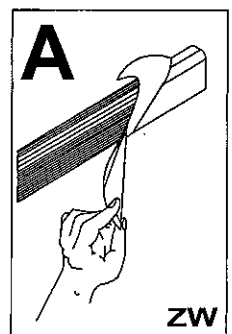
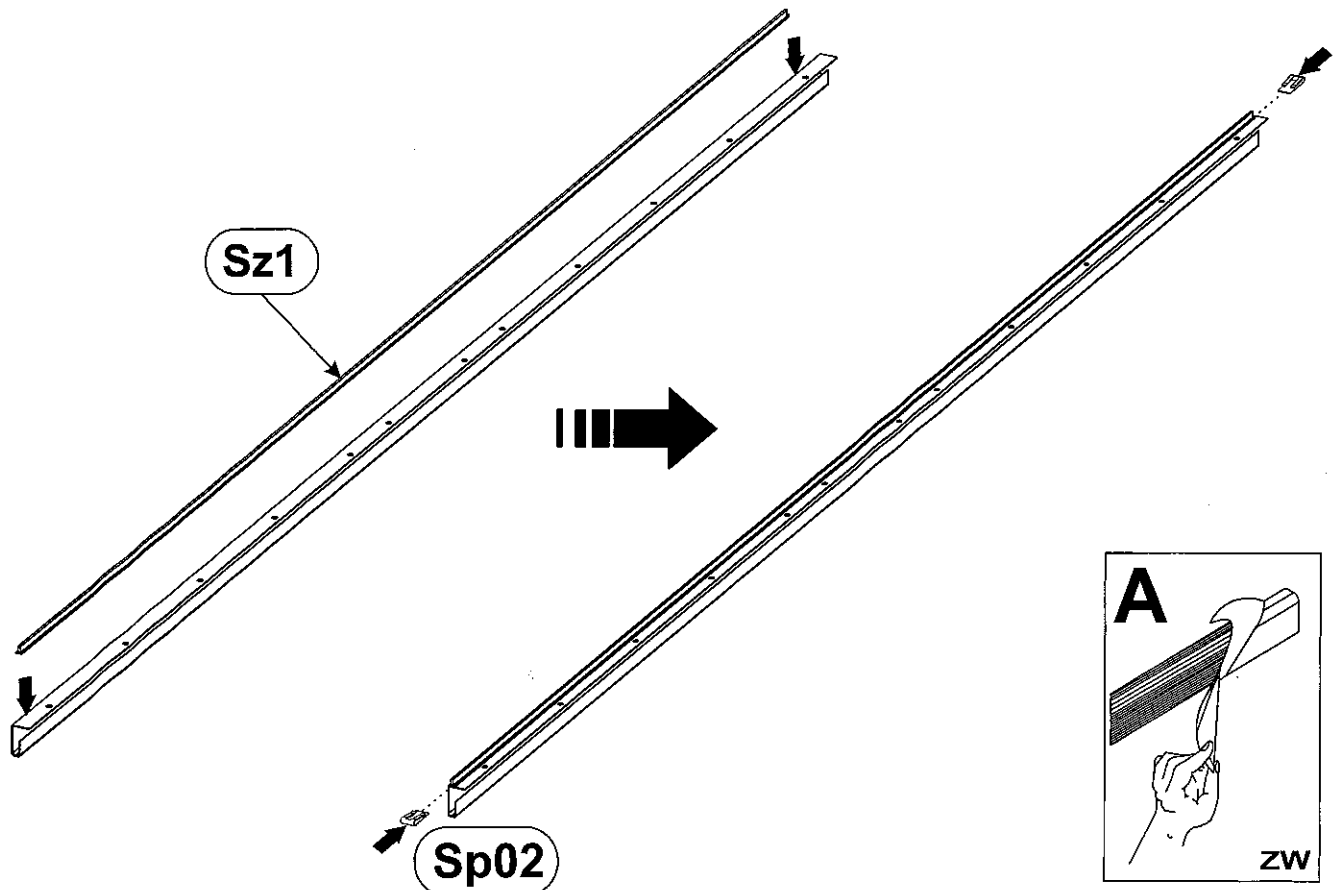
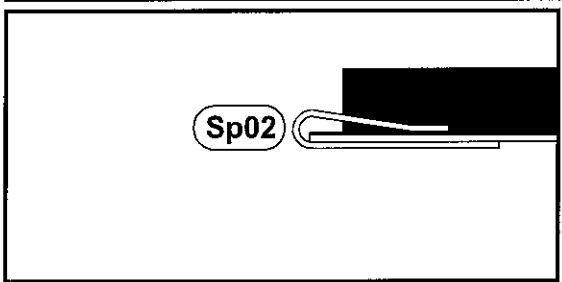
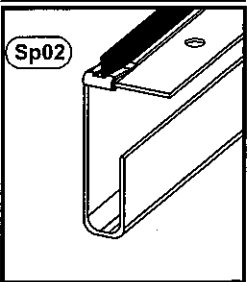
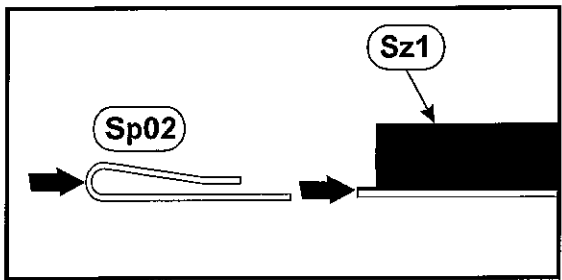
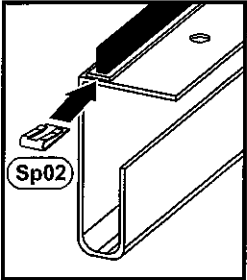
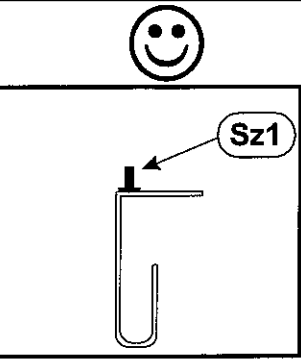
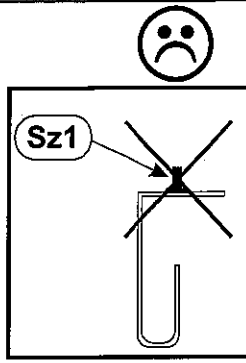
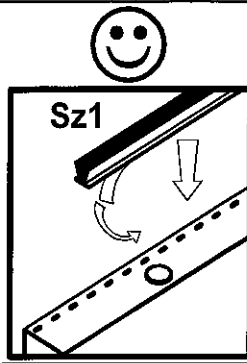
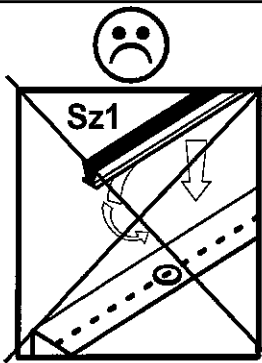
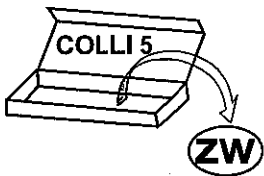
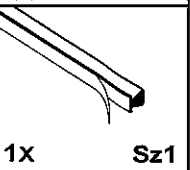
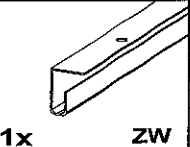
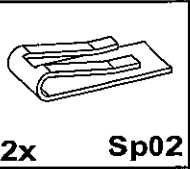
36



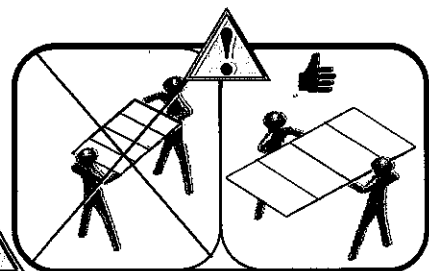
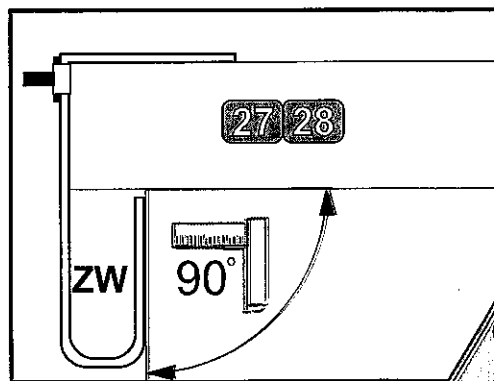
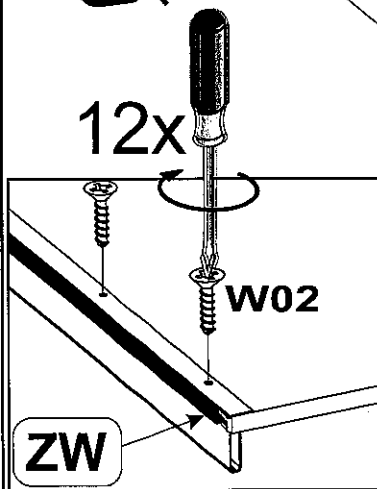
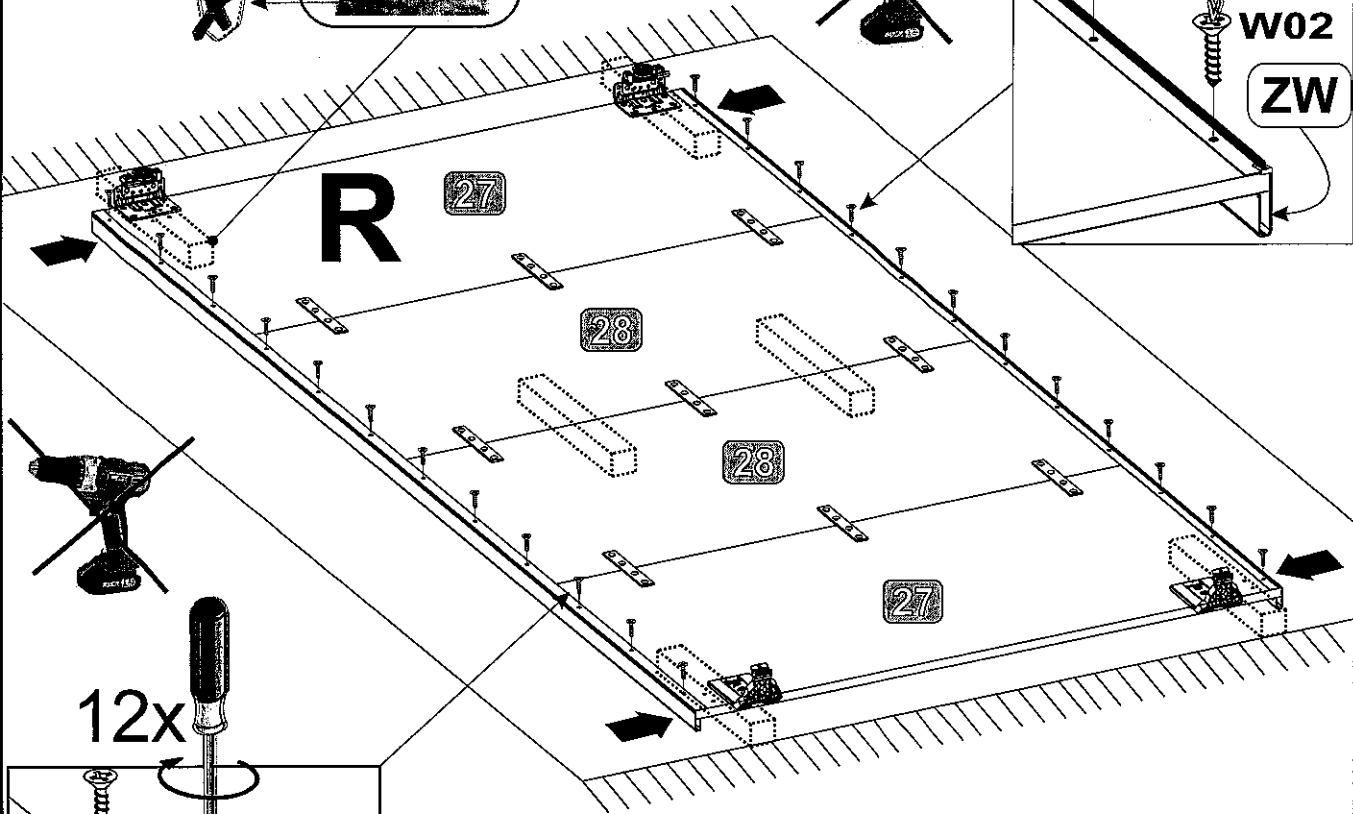
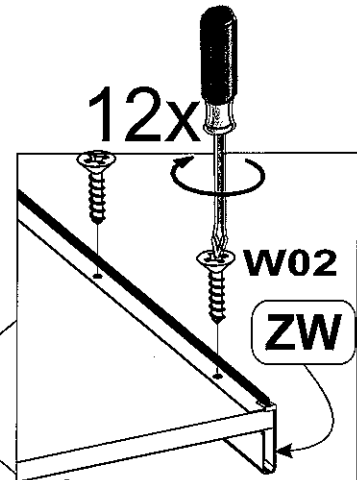
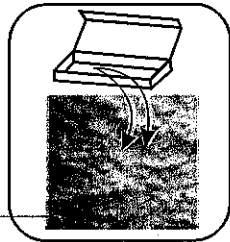
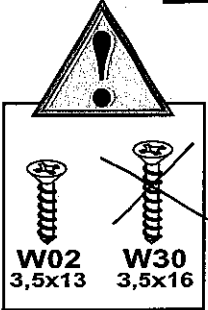
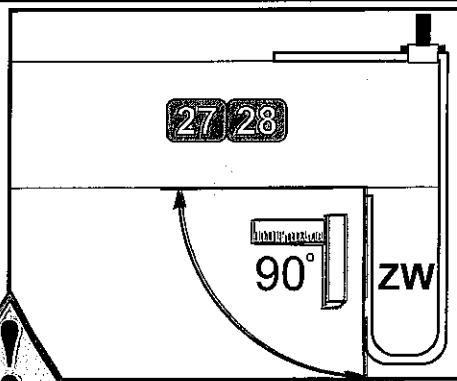
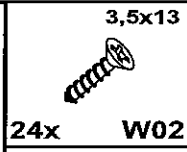
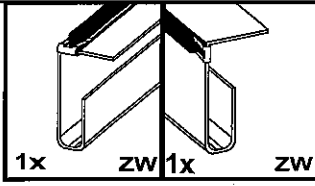
37



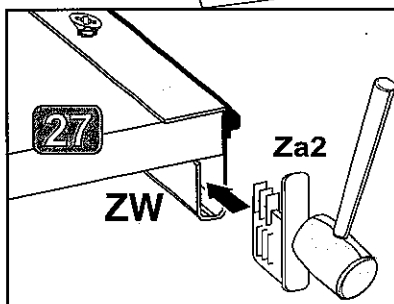
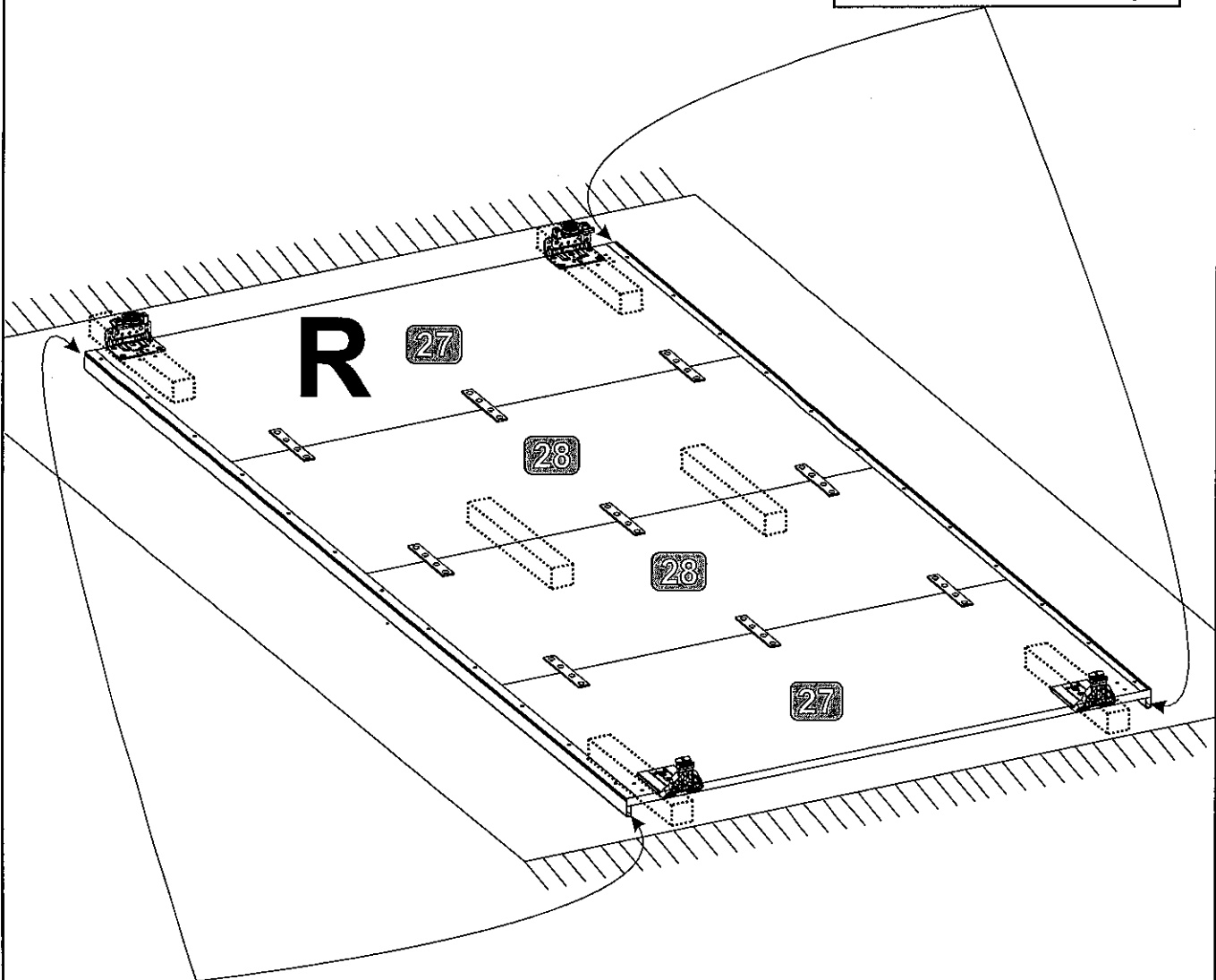
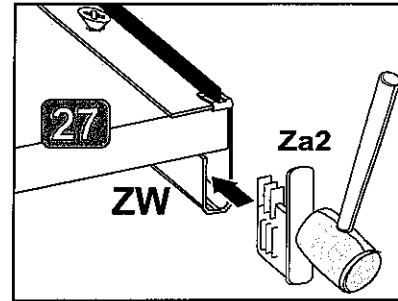
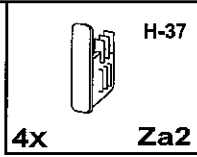
38



39

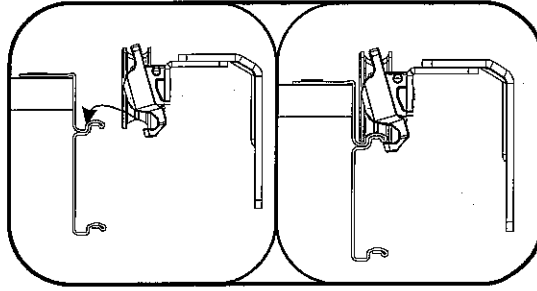


40

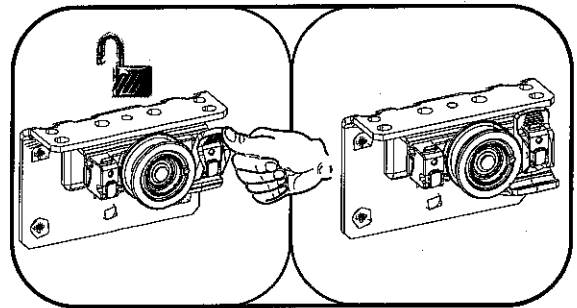


41

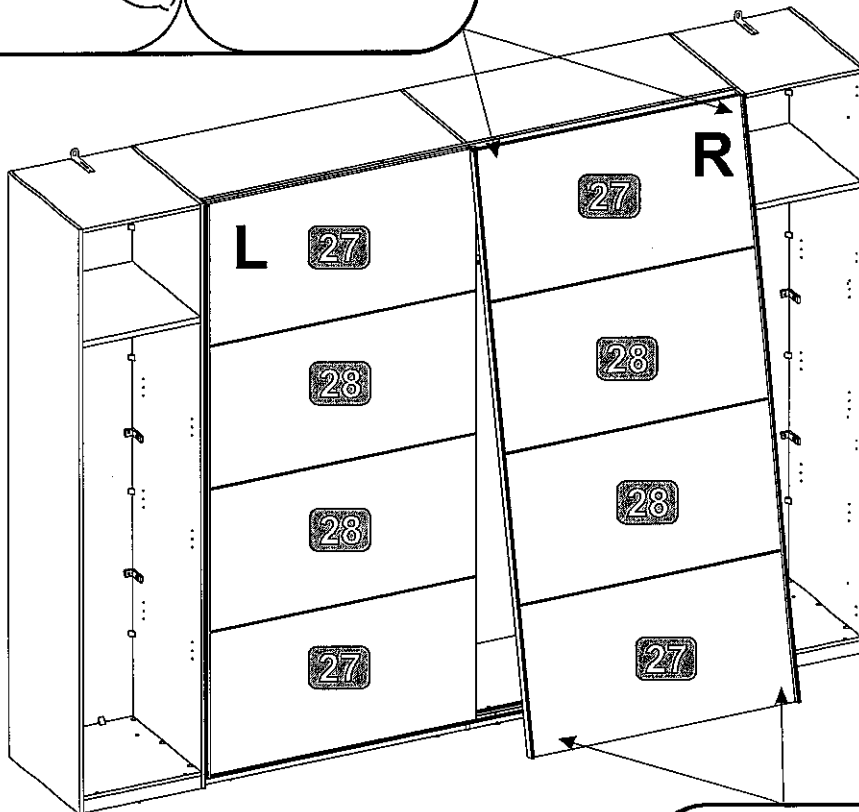
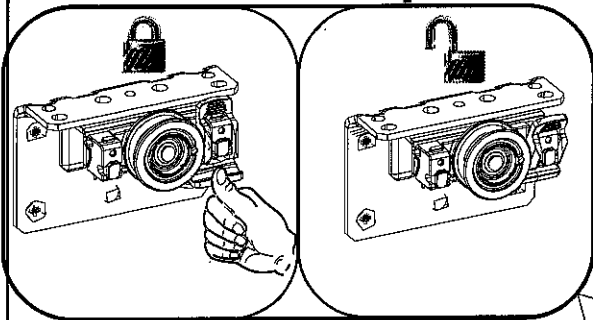
B



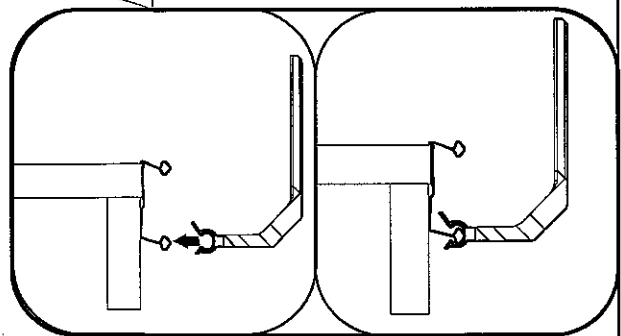
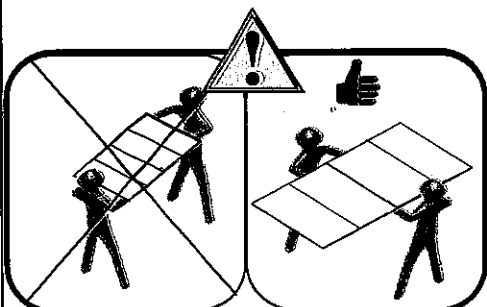
D



A

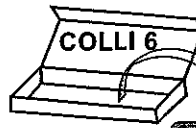


C

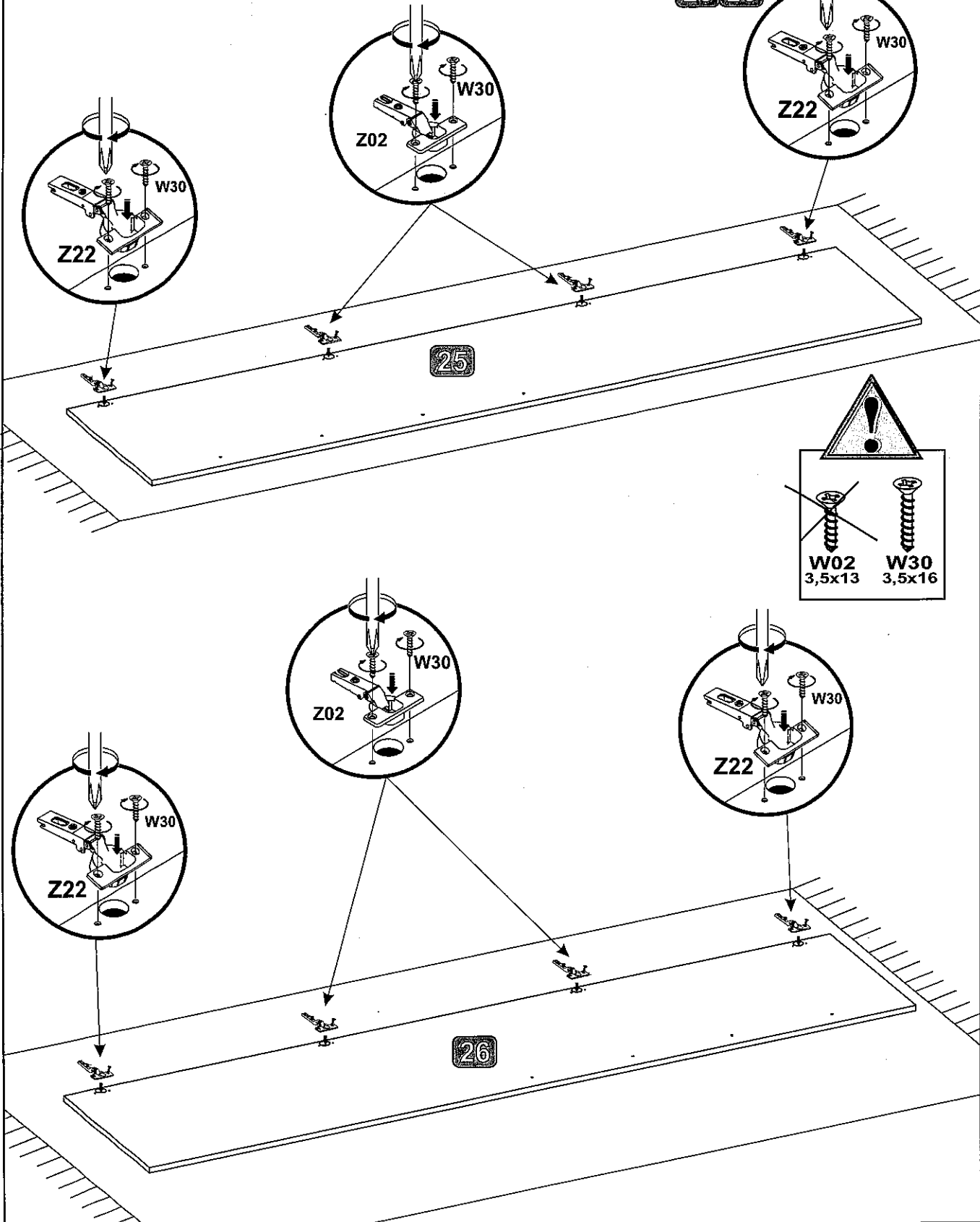


42

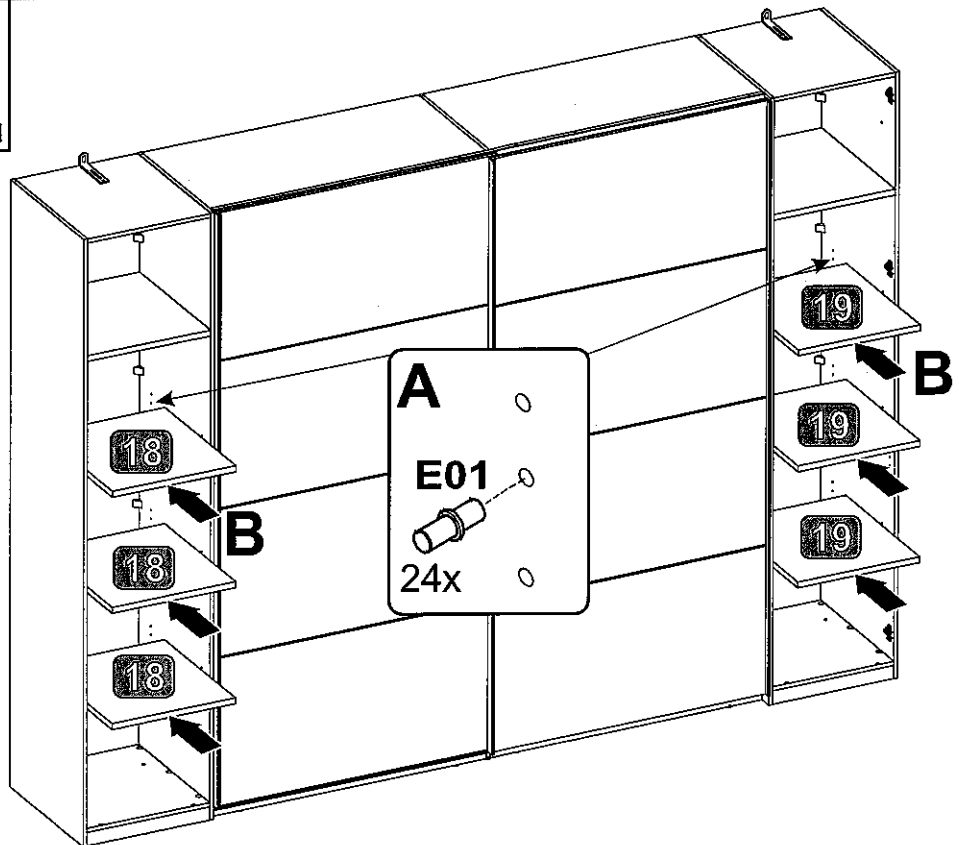
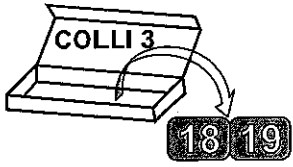
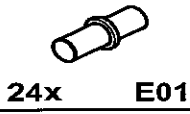
3,5x16	KR-0	KR-0
16x W30	4x Z22	4x Z02



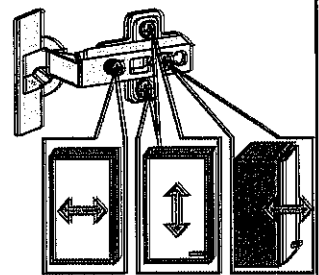
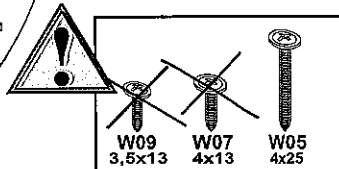
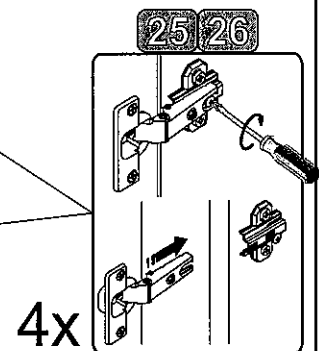
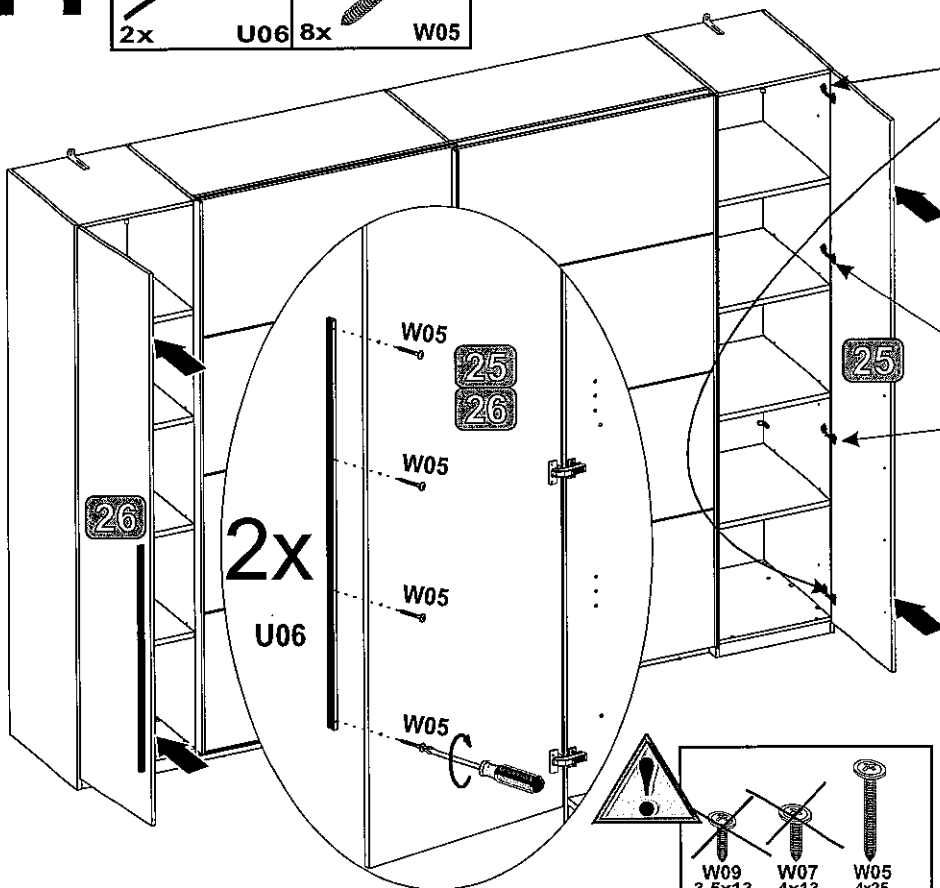
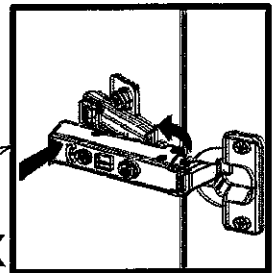
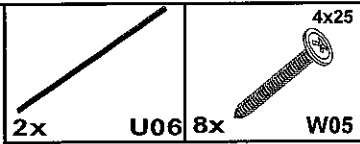
25 26



43



44



45

