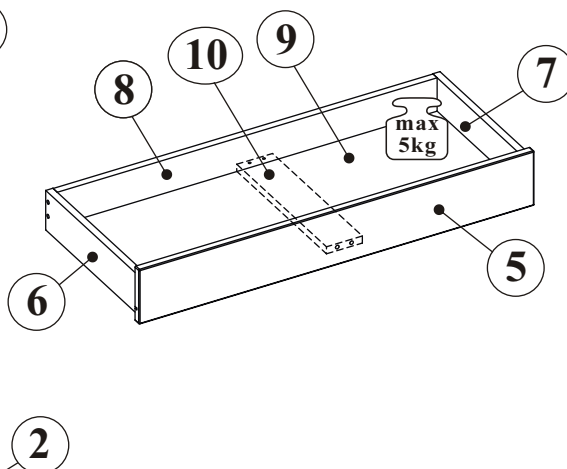
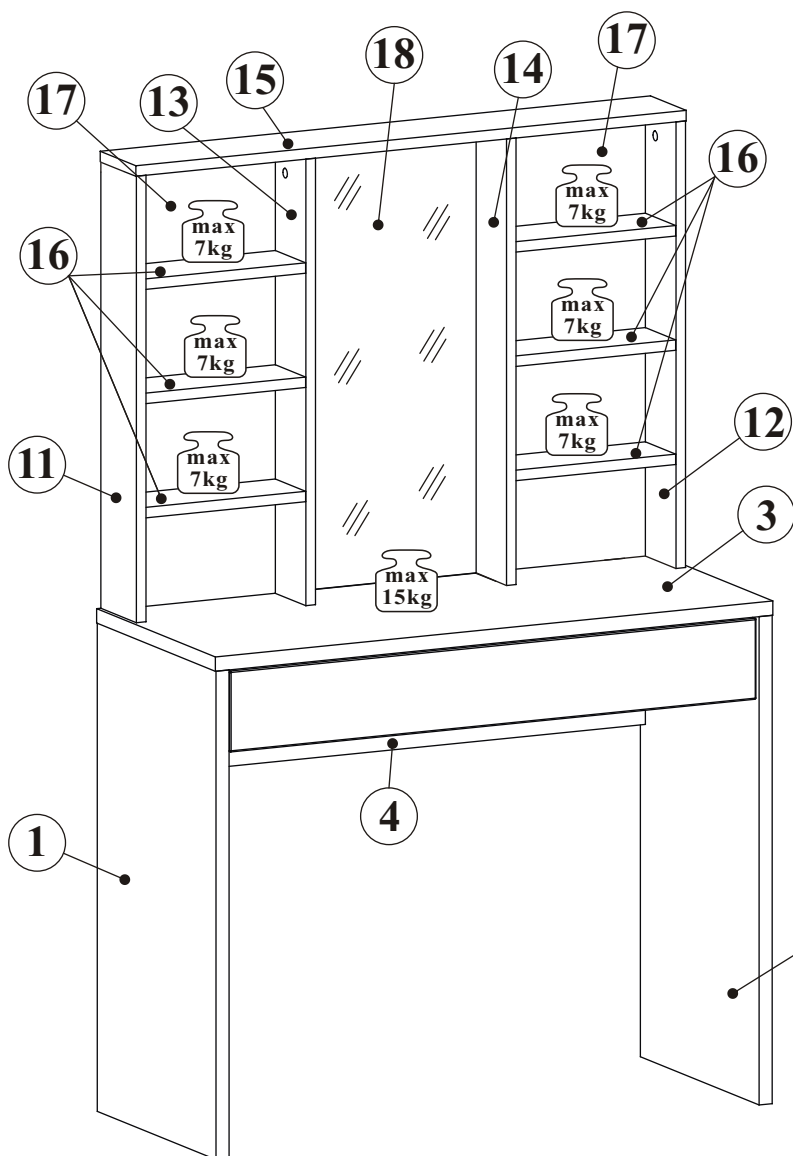
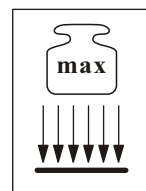


LEONE 36-033-6



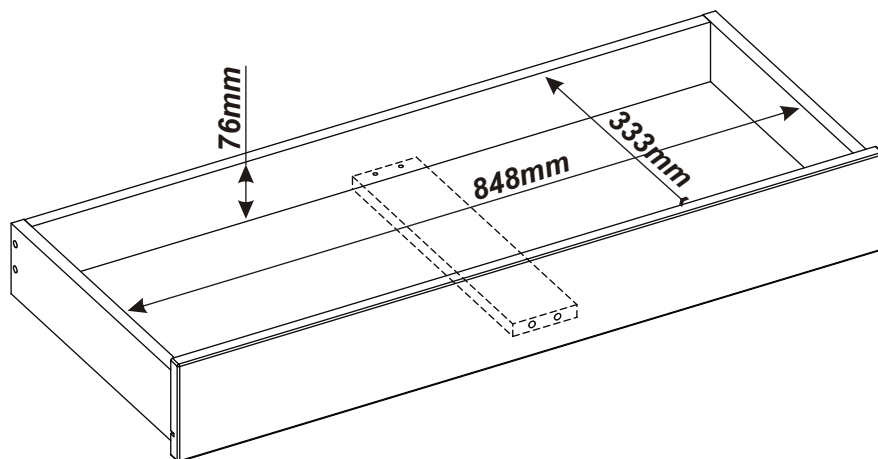
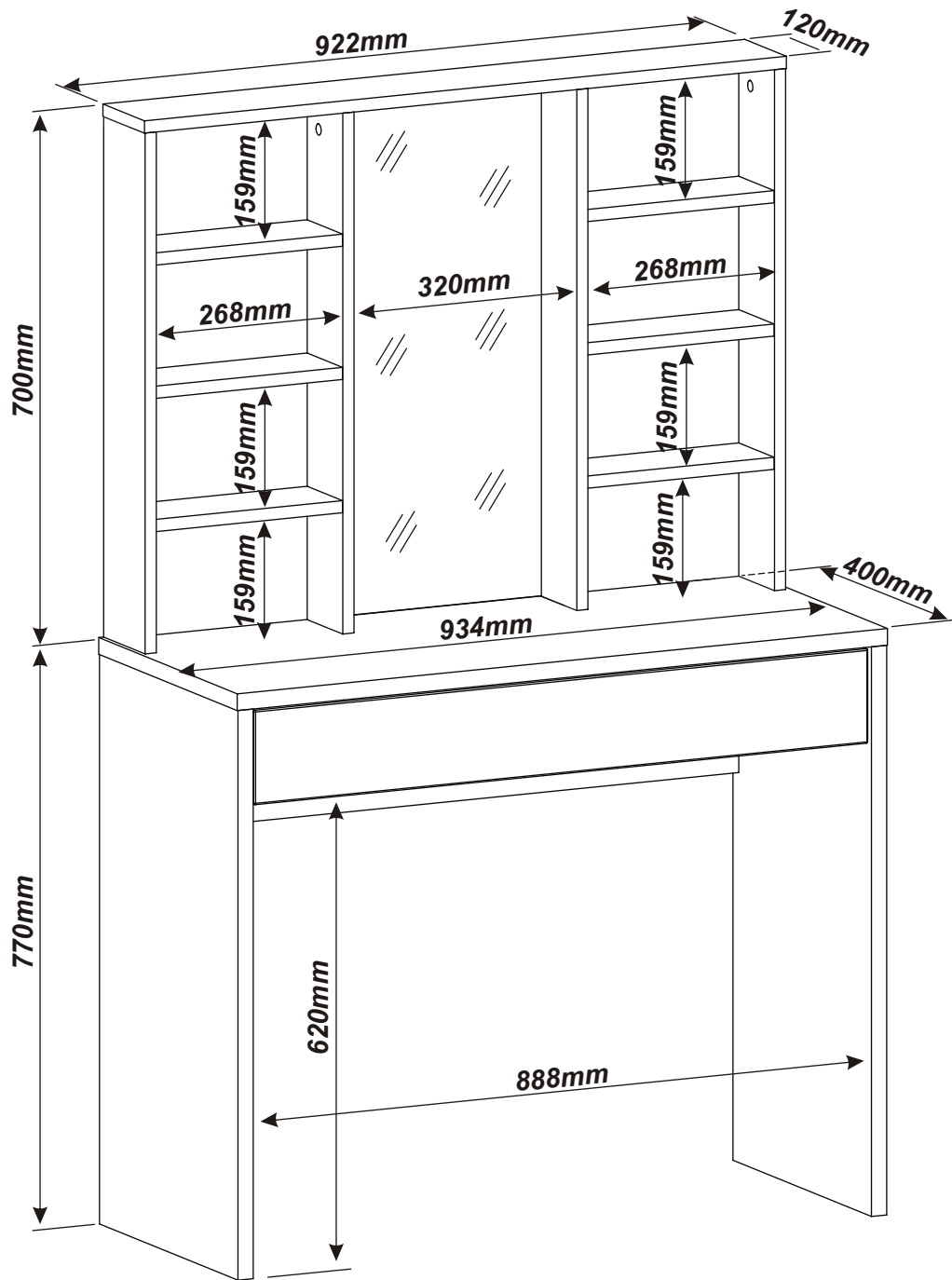
| NO | Dim.[mm] | | | Col.-No | Qty |
|----|----------|-----|----|---------|-----|
| 1 | 748 | 400 | 22 | 1 | 1 |
| 2 | 748 | 400 | 22 | 1 | 1 |
| 3 | 934 | 400 | 22 | 1 | 1 |
| 4 | 888 | 236 | 16 | 1 | 1 |
| 5 | 882 | 124 | 16 | 1 | 1 |
| 6 | 350 | 90 | 16 | 1 | 1 |
| 7 | 350 | 90 | 16 | 1 | 1 |
| 8 | 848 | 76 | 16 | 1 | 1 |
| 9 | 860 | 354 | 3 | 1 | 1 |
| 10 | 350 | 80 | 16 | 1 | 1 |

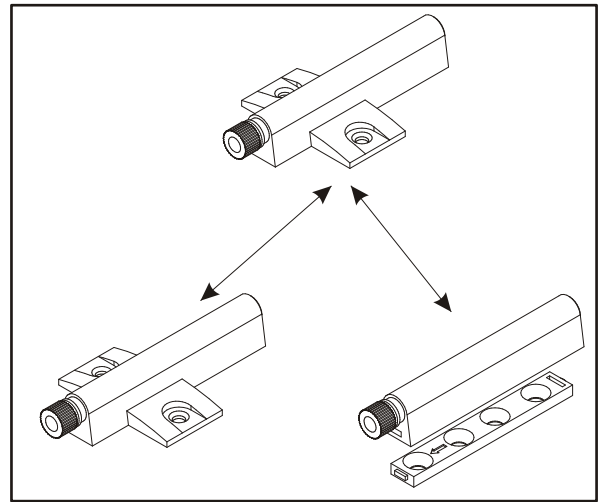
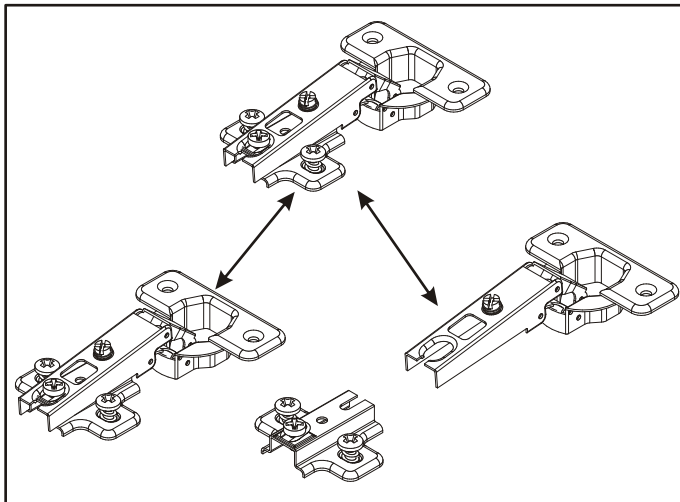
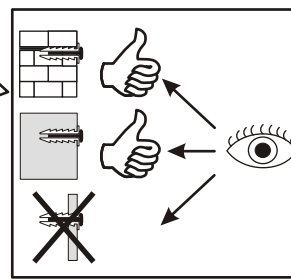
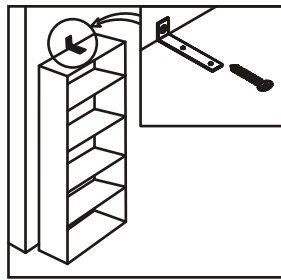
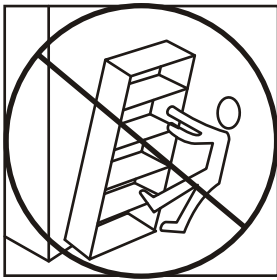
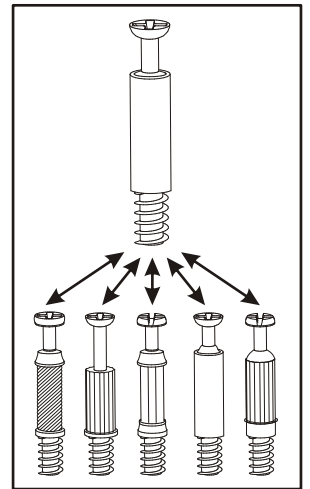
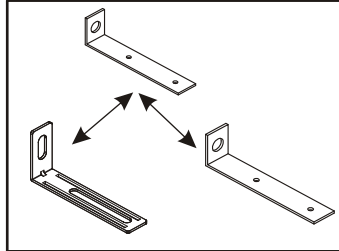
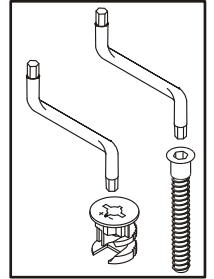
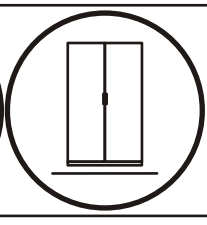
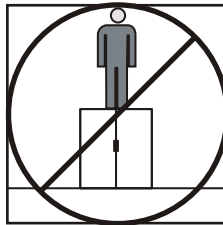
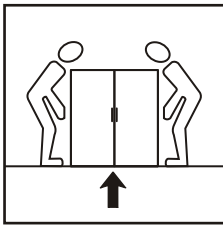
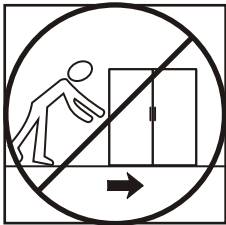
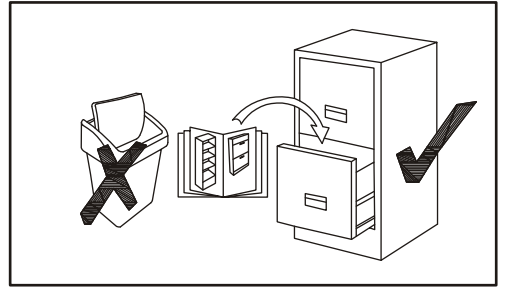
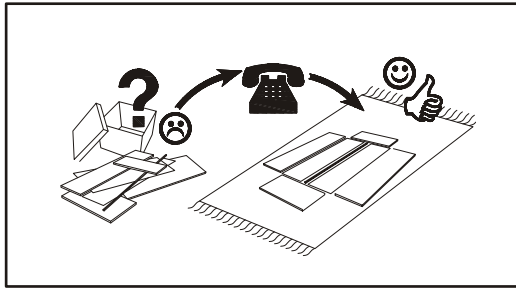
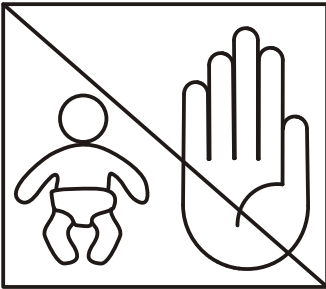
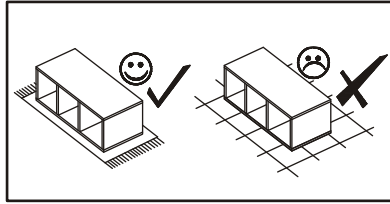
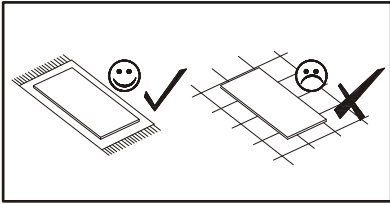
| NO | Dim.[mm] | | | Col.-No | Qty |
|----|----------|-----|----|---------|-----|
| 11 | 684 | 120 | 16 | 1 | 1 |
| 12 | 684 | 120 | 16 | 1 | 1 |
| 13 | 684 | 120 | 16 | 1 | 1 |
| 14 | 684 | 120 | 16 | 1 | 1 |
| 15 | 922 | 120 | 16 | 1 | 1 |
| 16 | 268 | 102 | 16 | 1 | 6 |
| 17 | 268 | 684 | 16 | 1 | 2 |
| 18 | 684 | 320 | 19 | 1 | 1 |



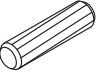
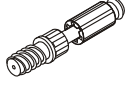
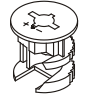



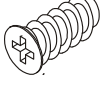
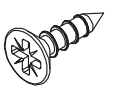



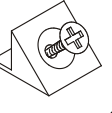
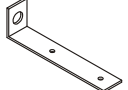


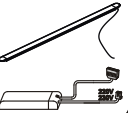

120 min

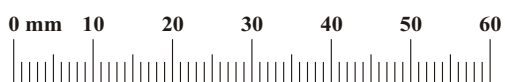




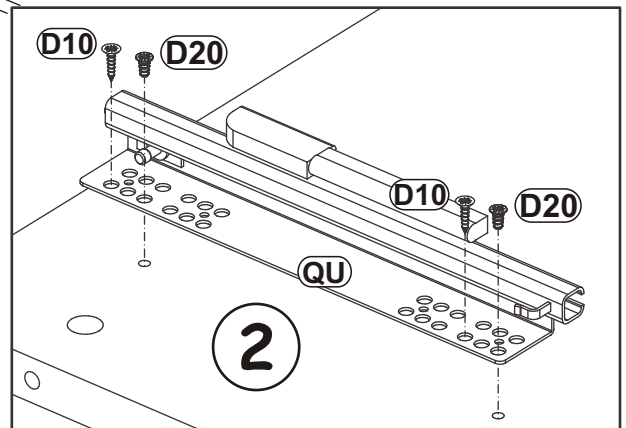
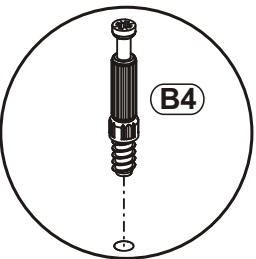
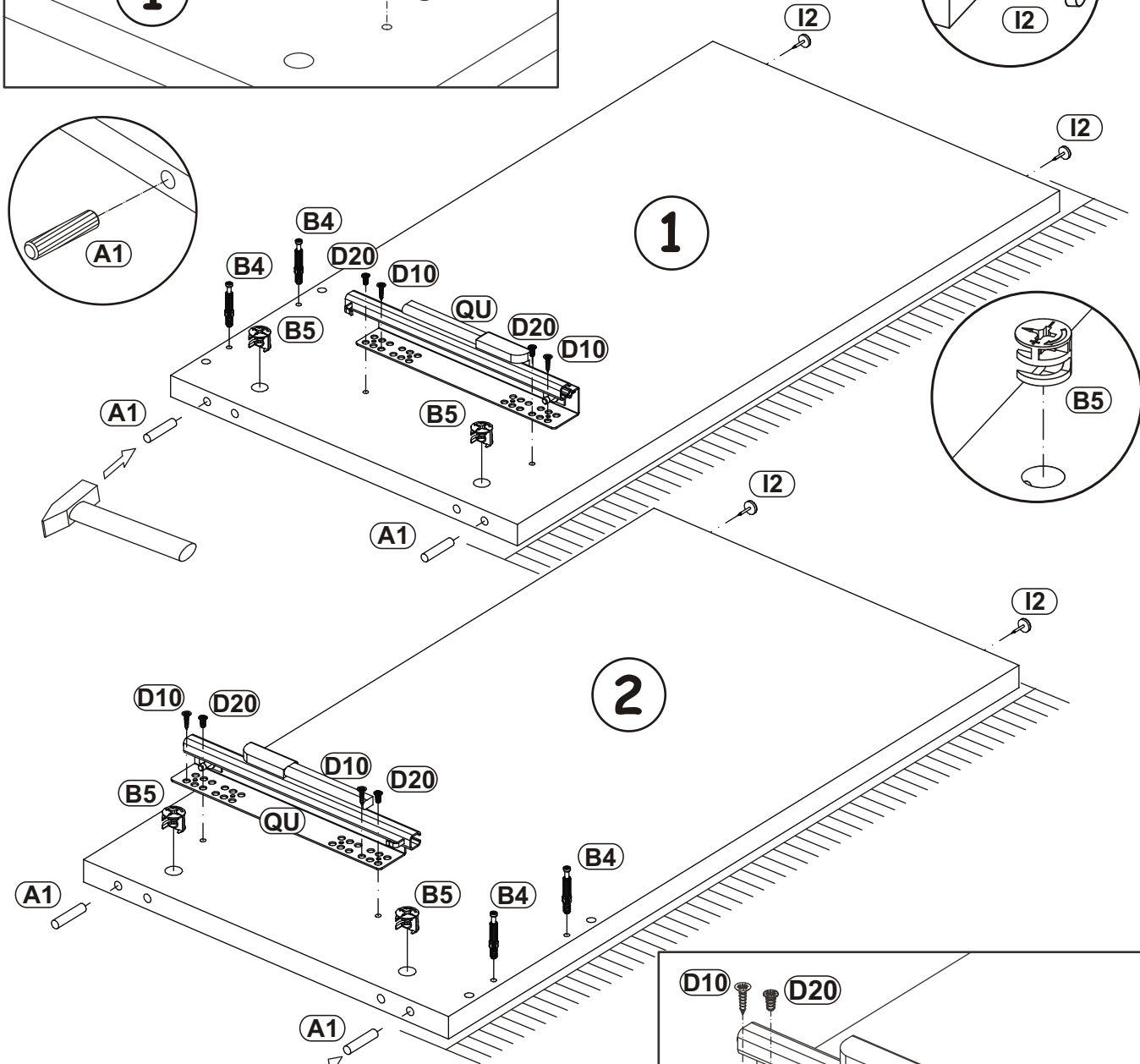
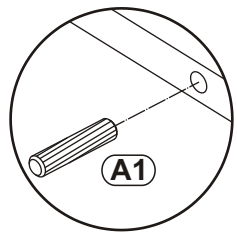
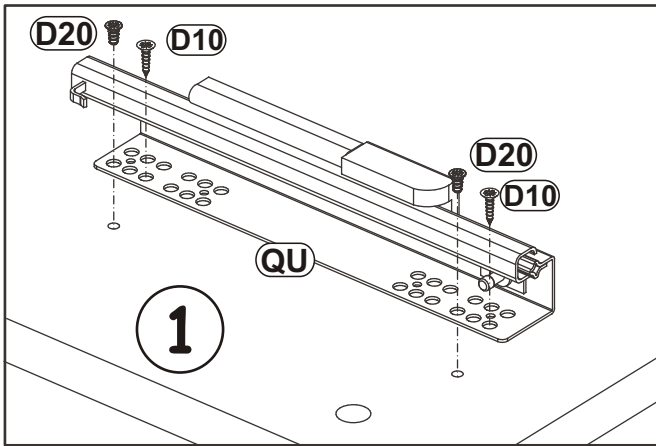
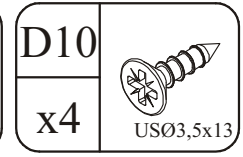
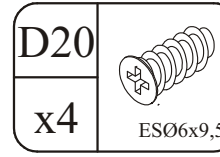
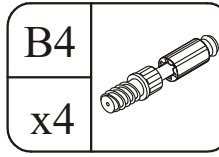
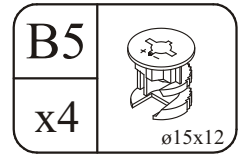
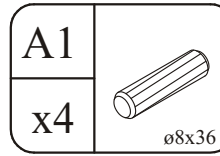
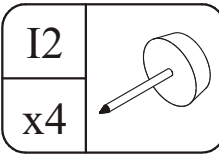
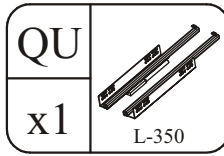


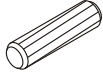

LEONE 36-033-6

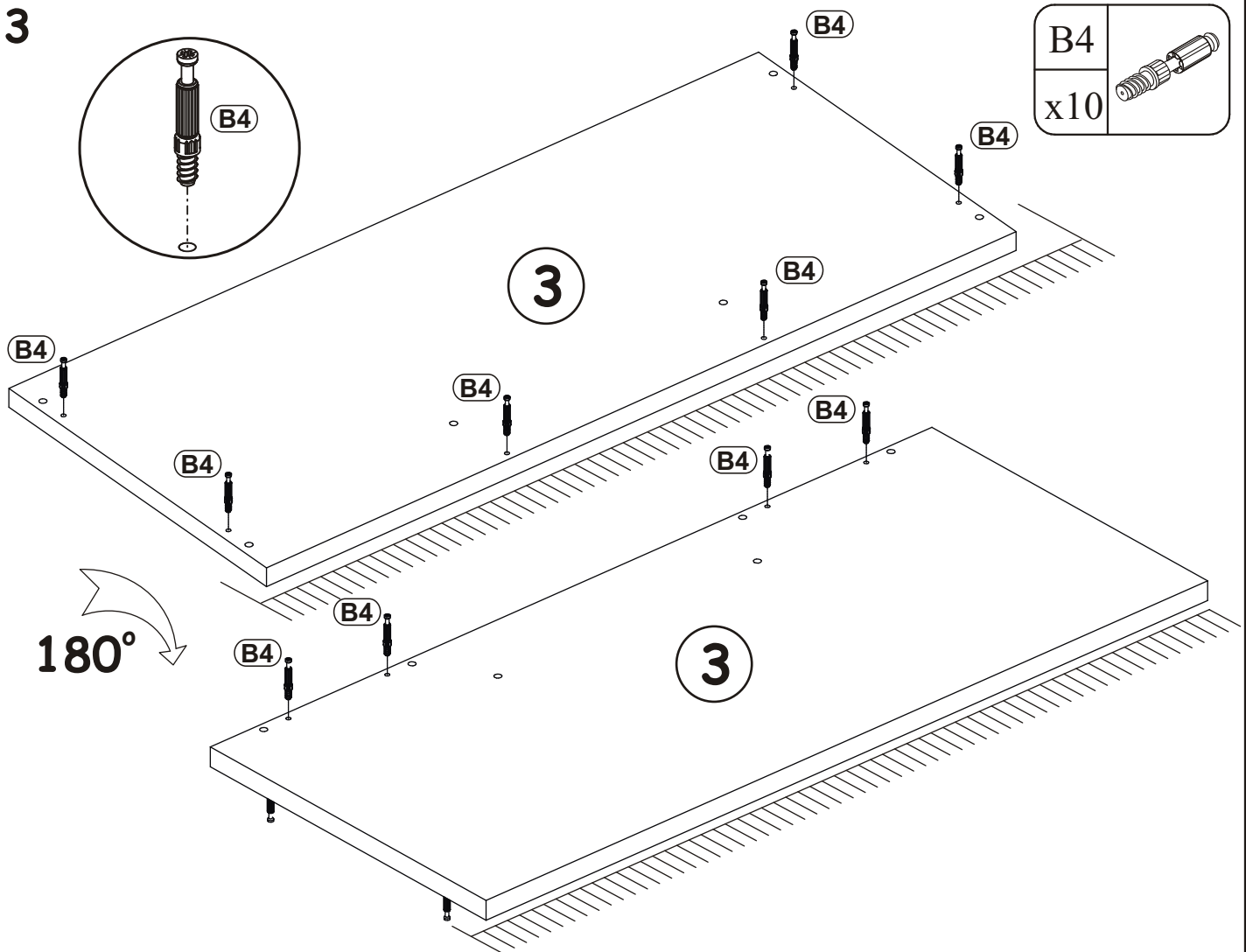
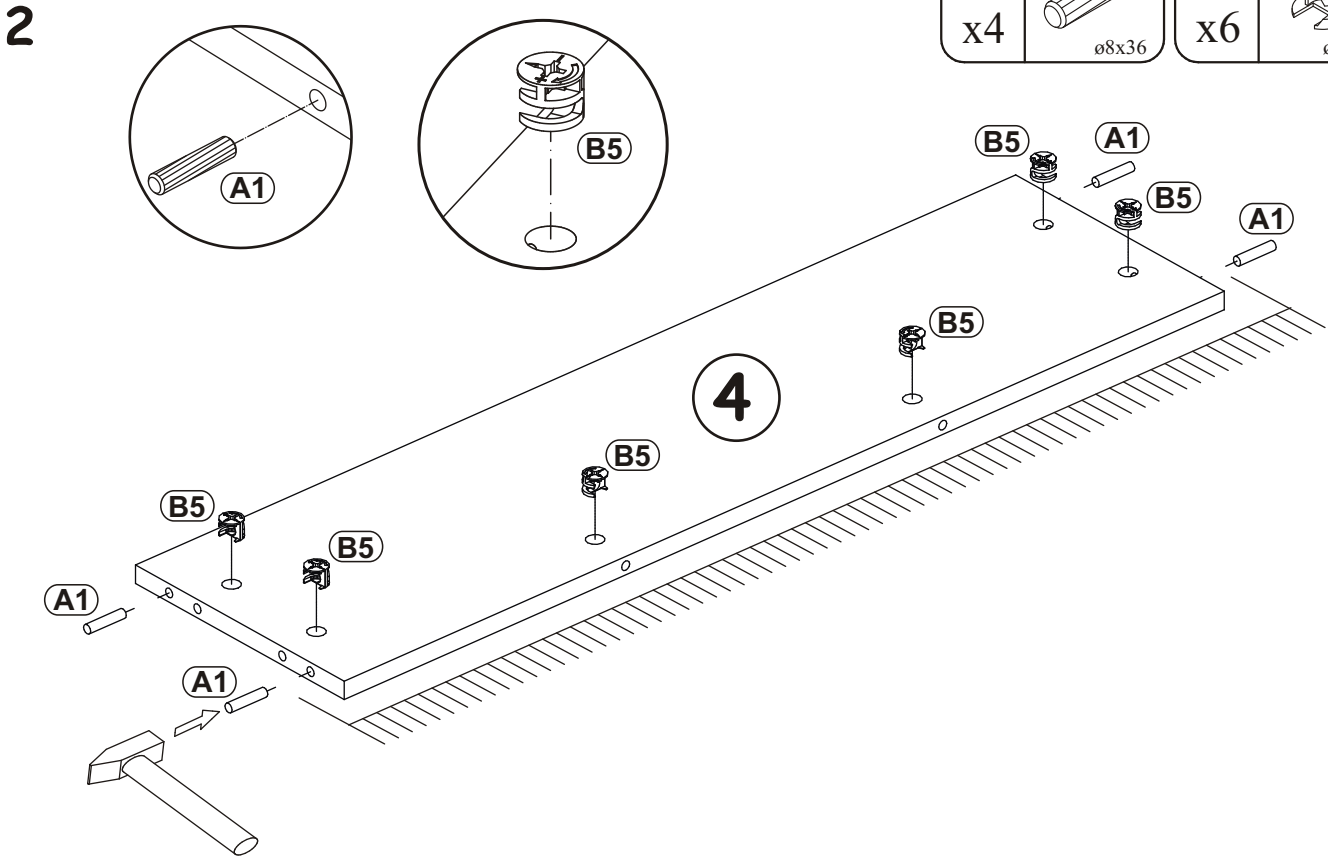
| | | | | | |
|--|---|--|--|--|---|
| A1 x56  ø8x36 | B4 x56  | B5 x56  ø15x12 | G5 x56  | B11 x6  Ø7x50 | G4 x6  |
| D20 x4  ESØ6,3x9,5 | D10 x8  USØ3,5x13 | QU x1  L-350 | UP6 x2  UPØ4x30 | UP13 x8  UPØ3x16 | S1 x4  |
| L1 x2  | KR1 x2  | G2 x1  | LT x1  | I2 x4  | |



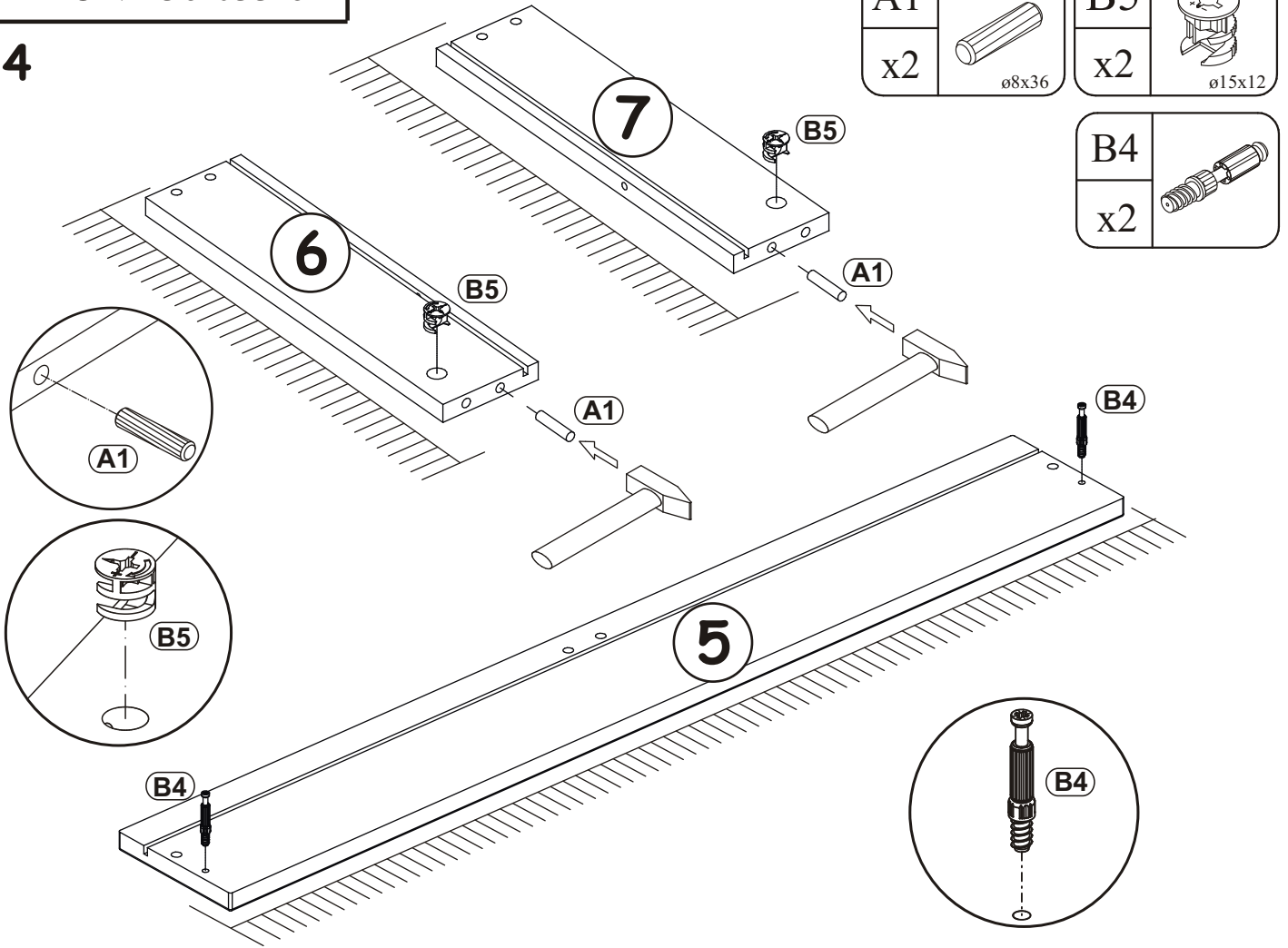
1



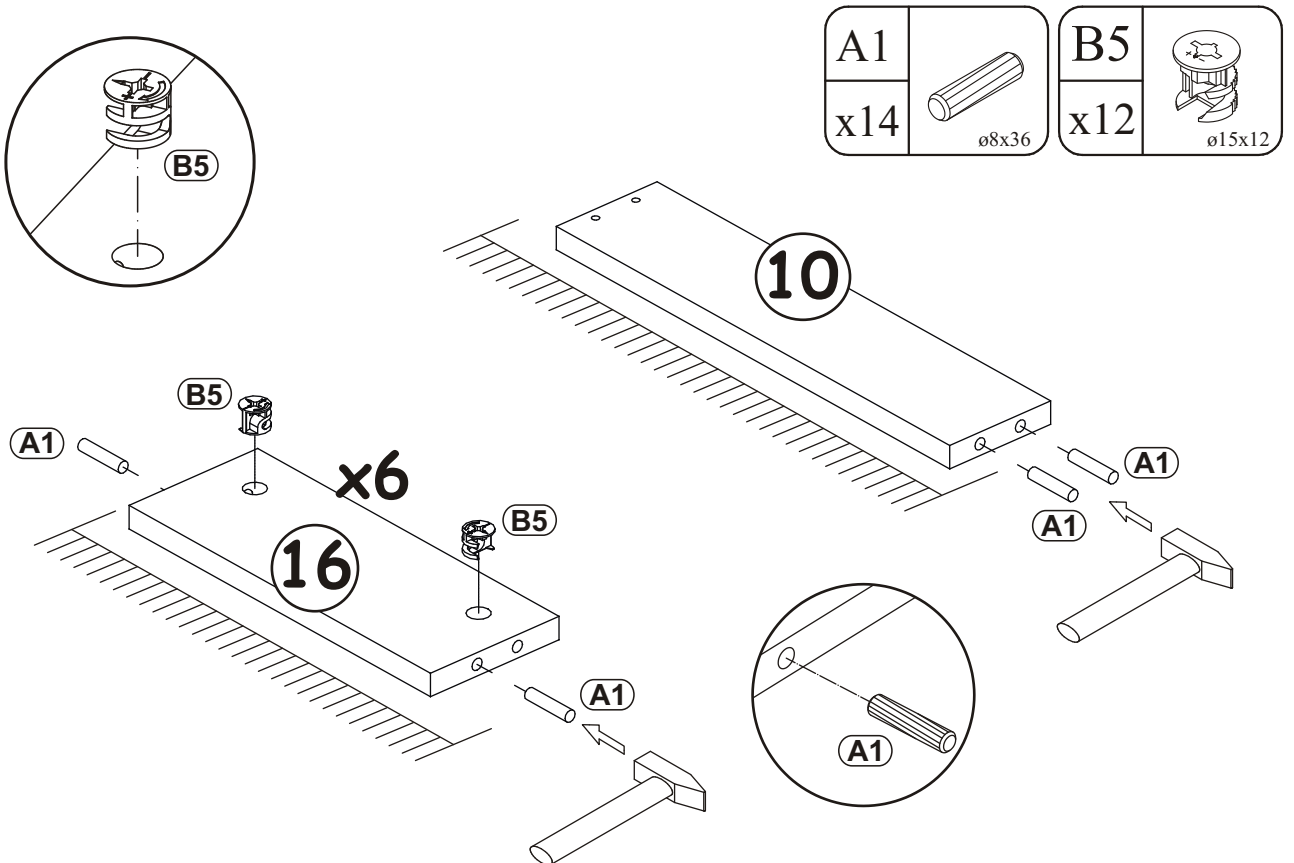
| | | | |
|----|---|----|--|
| A1 |  | B5 |  |
| x4 | ø8x36 | x6 | ø15x12 |



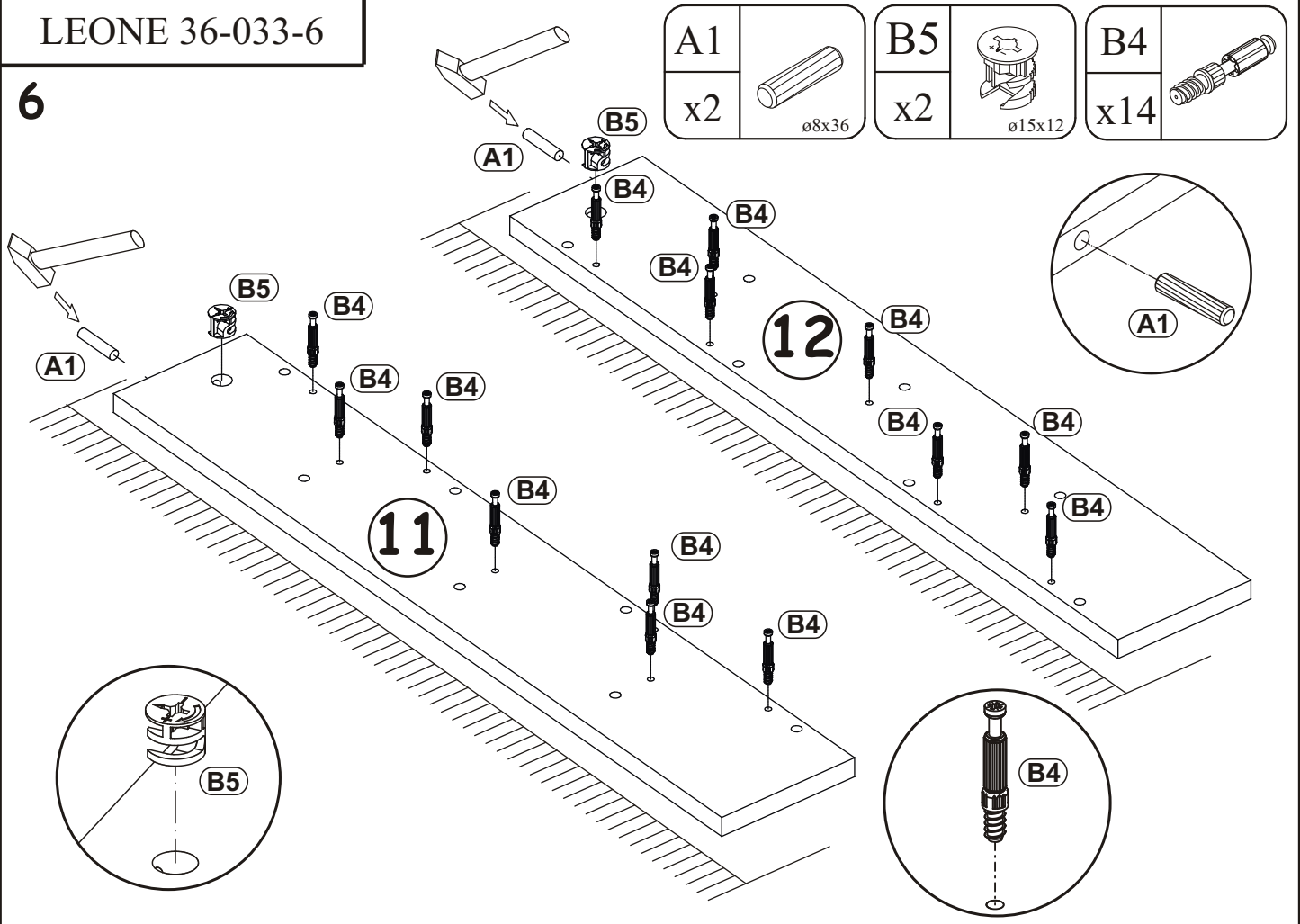
4



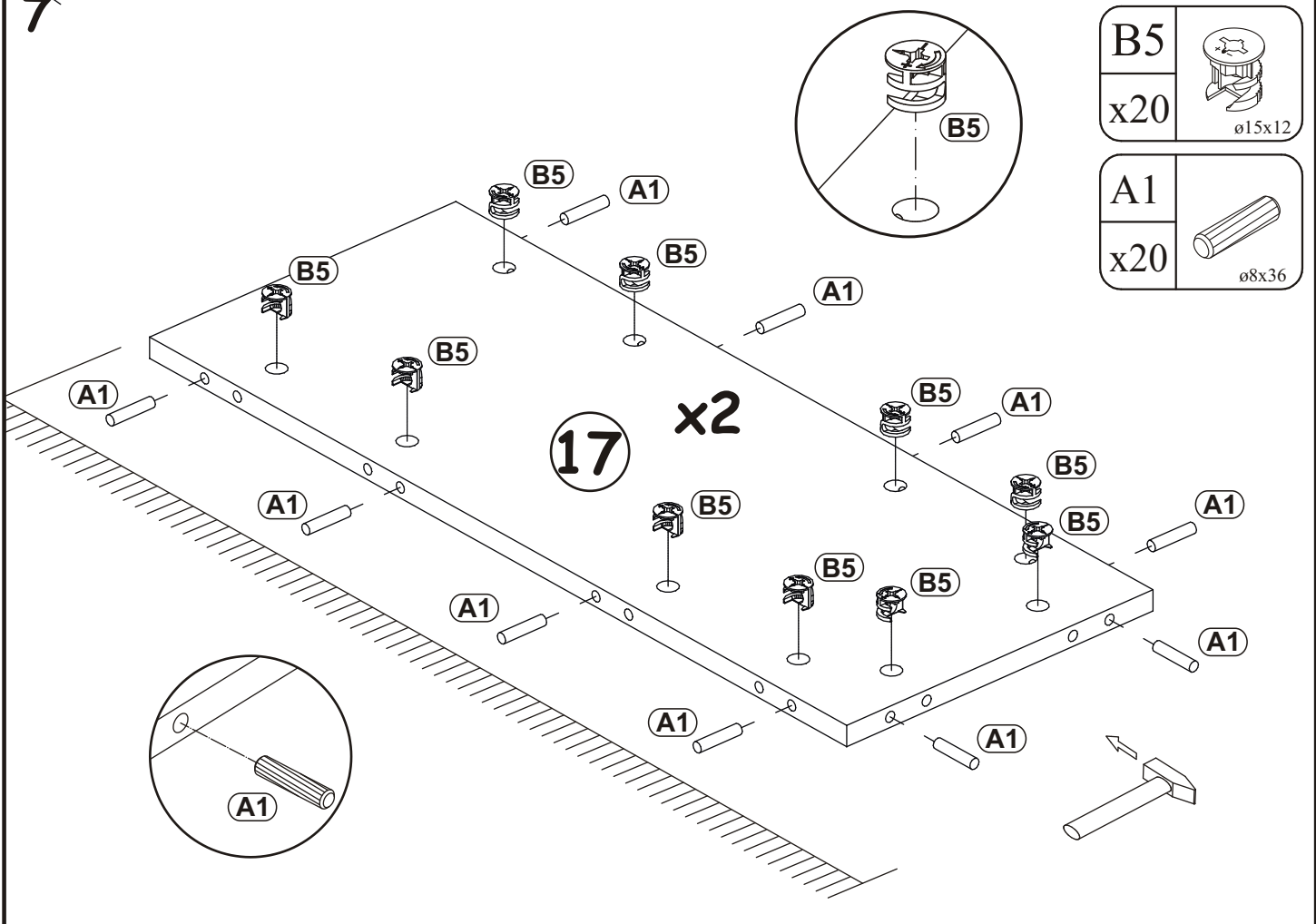
5



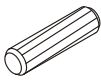
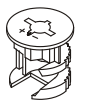
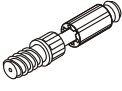
6

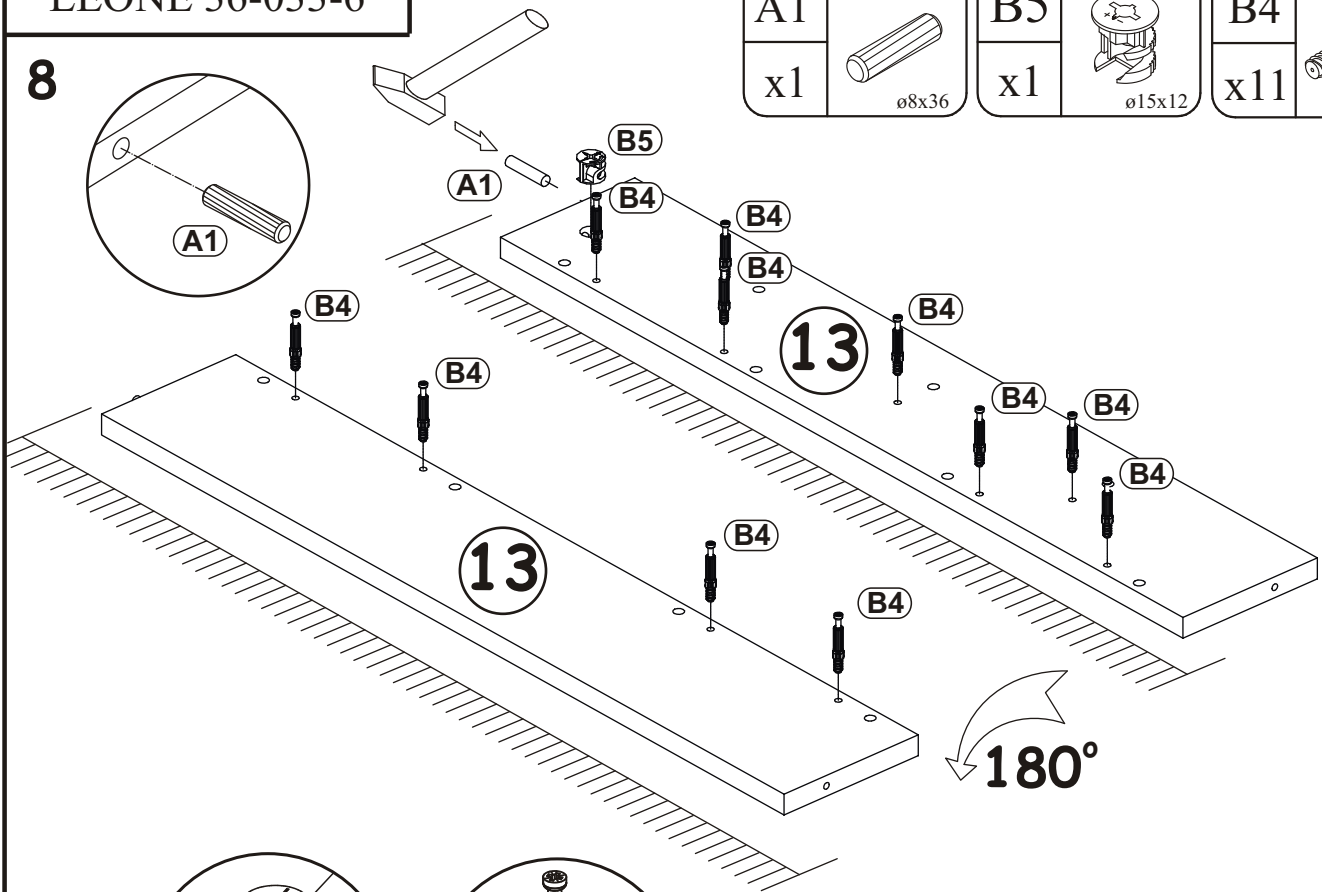


7

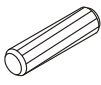
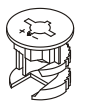
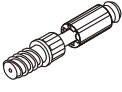


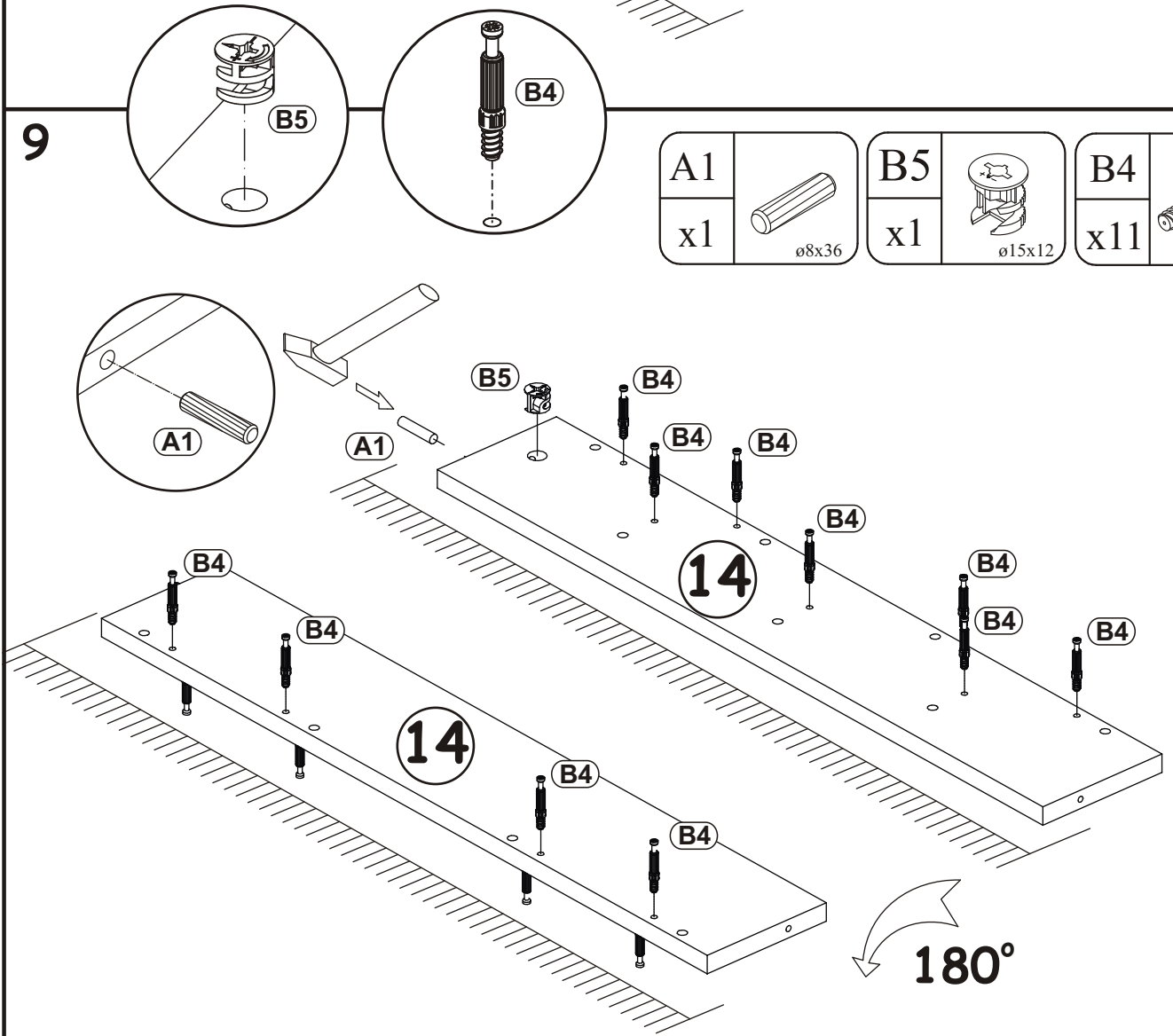
8

| | | | | | |
|----|--|----|--|-----|---|
| A1 |  | B5 |  | B4 |  |
| x1 | ø8x36 | x1 | ø15x12 | x11 | |

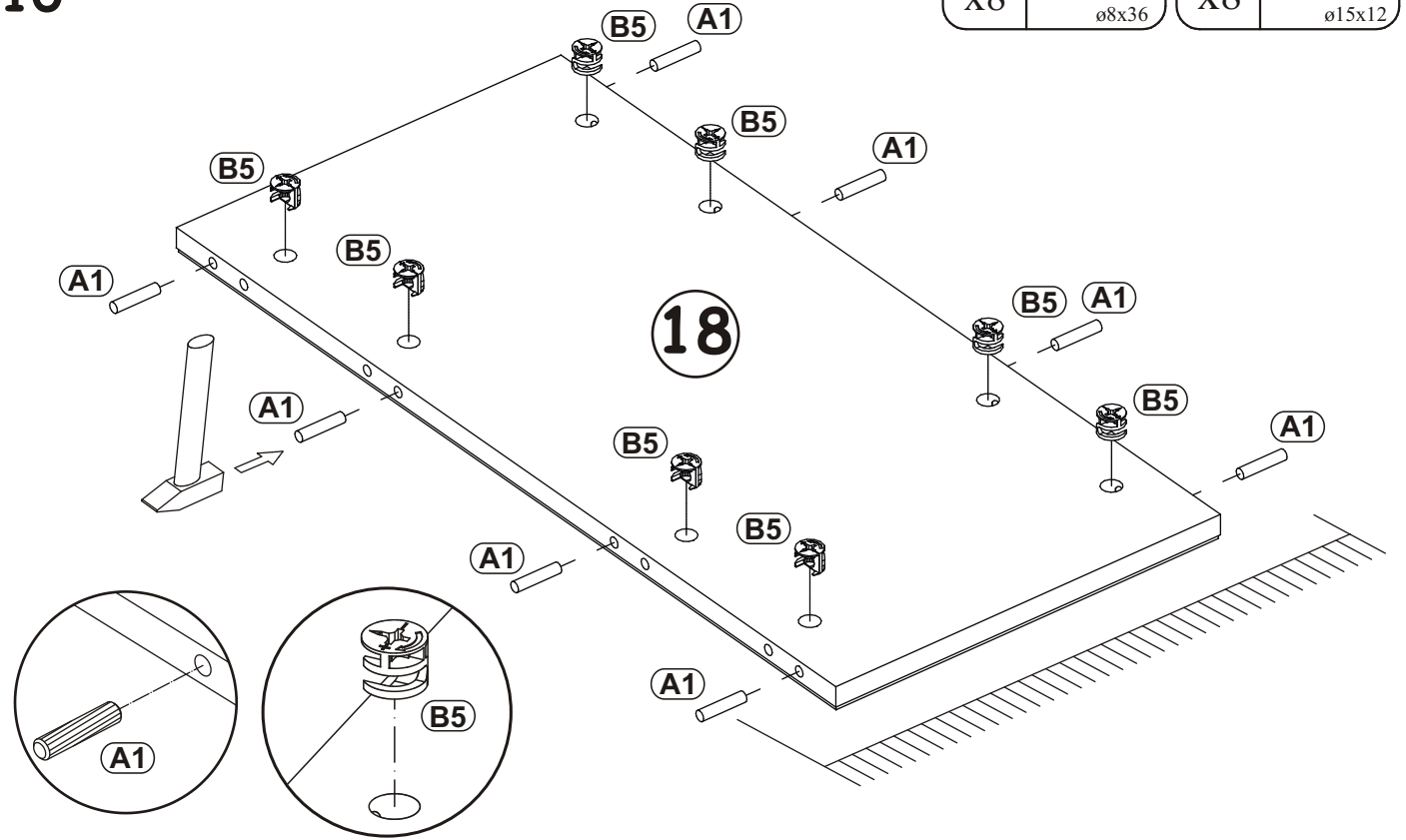


9

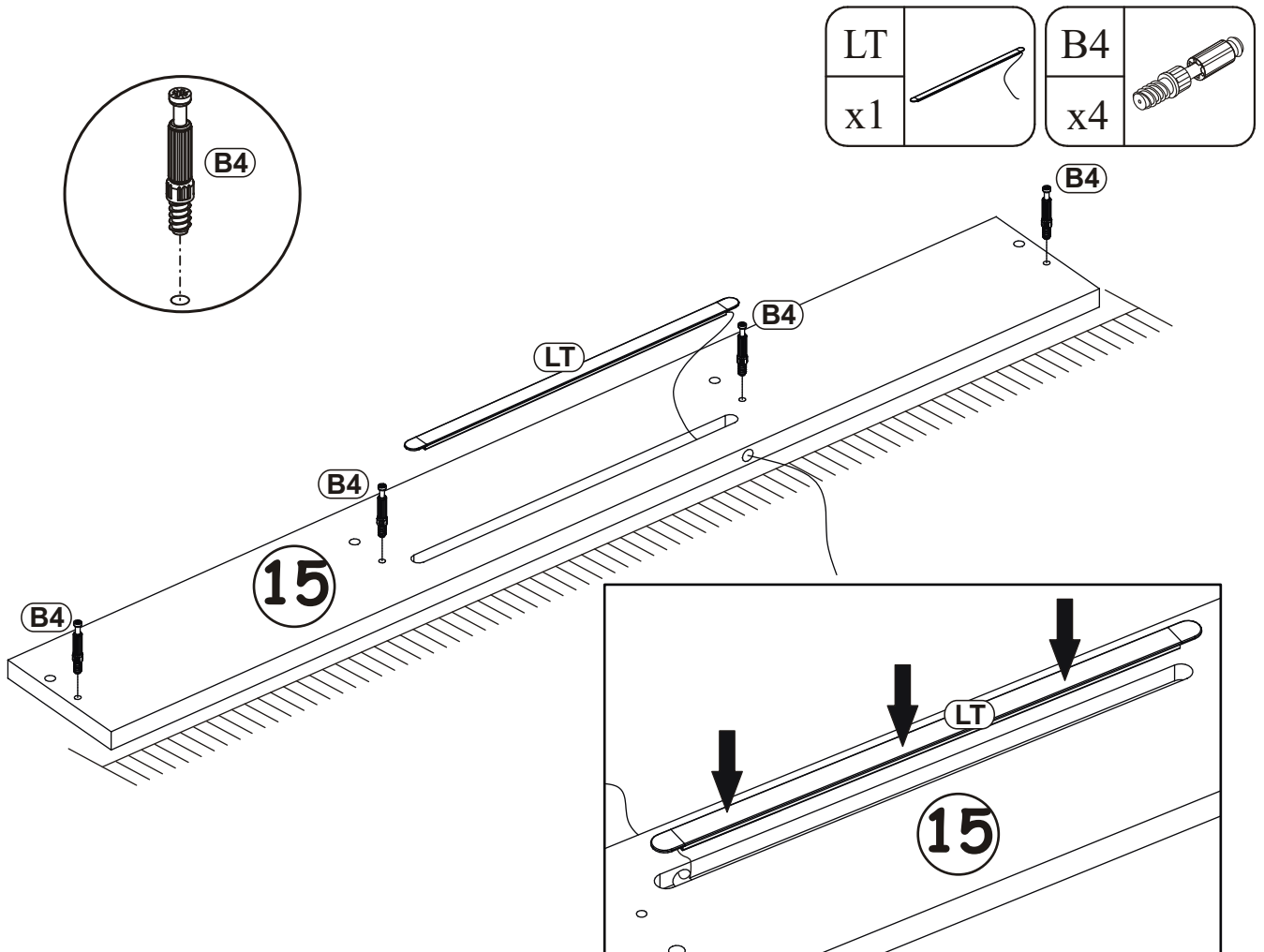
| | | | | | |
|----|--|----|---|-----|---|
| A1 |  | B5 |  | B4 |  |
| x1 | ø8x36 | x1 | ø15x12 | x11 | |





10



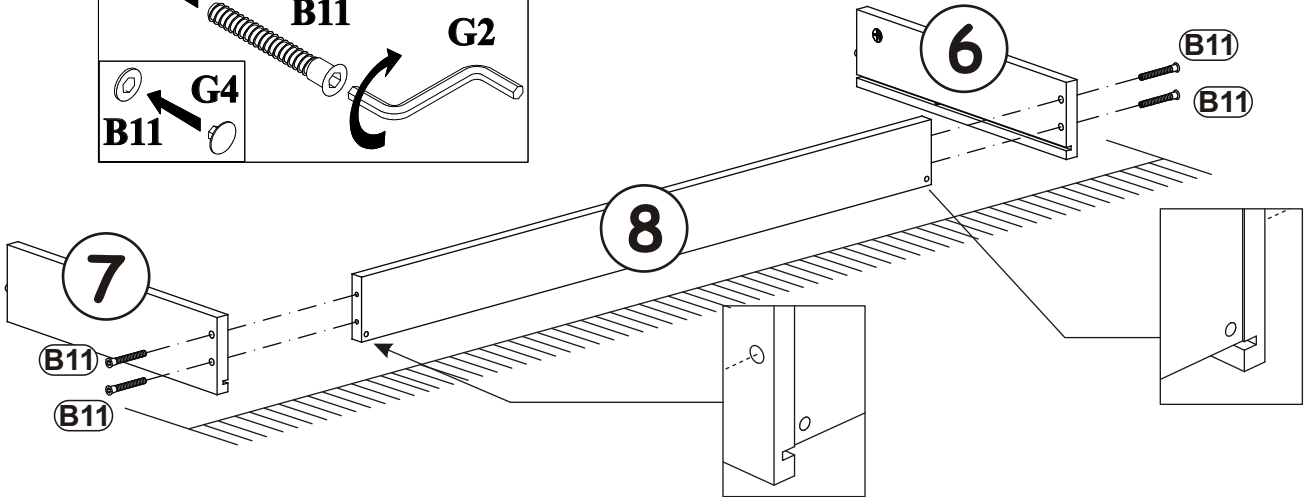
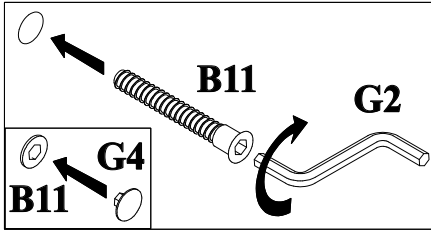
11




| | |
|-----|---|
| B11 |  |
| x4 | Ø7x50 |

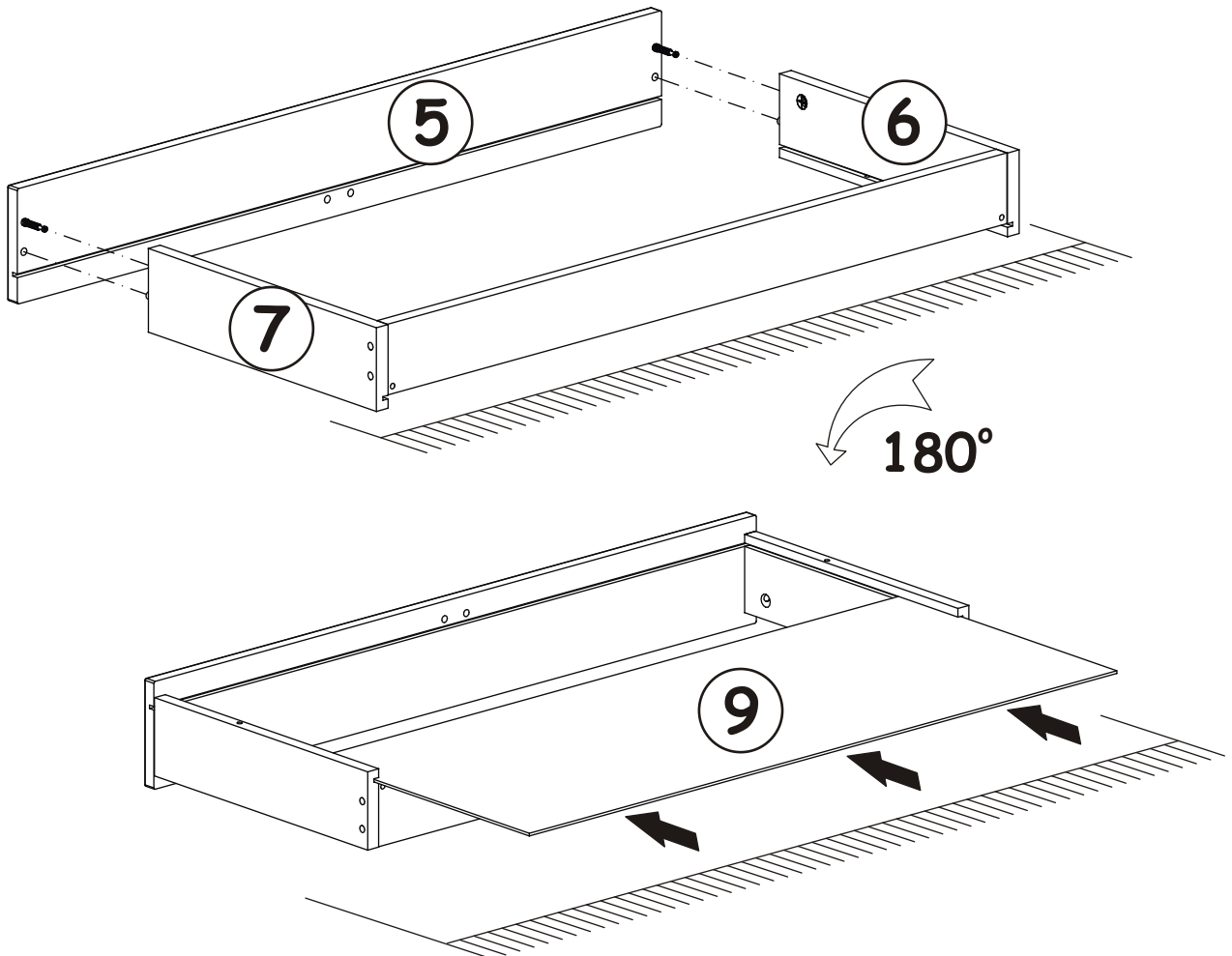
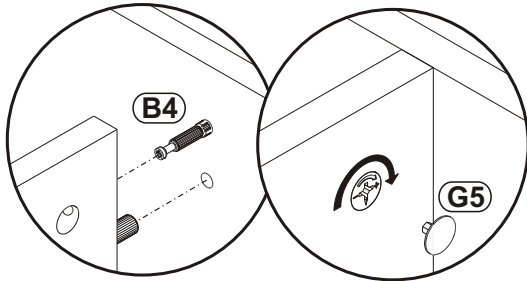
| | |
|----|---|
| G4 |  |
| x4 | |

12

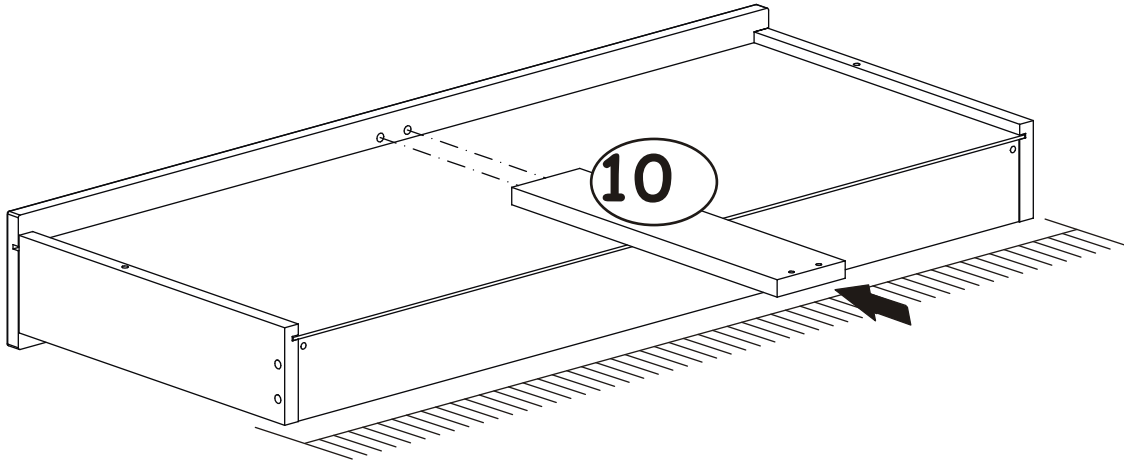


13

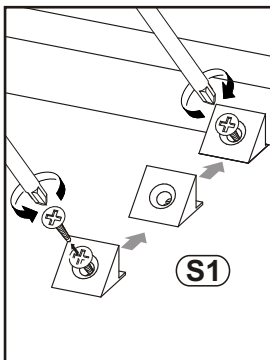
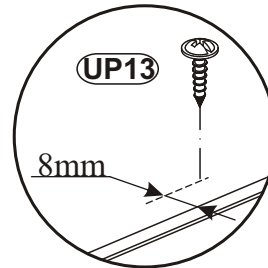
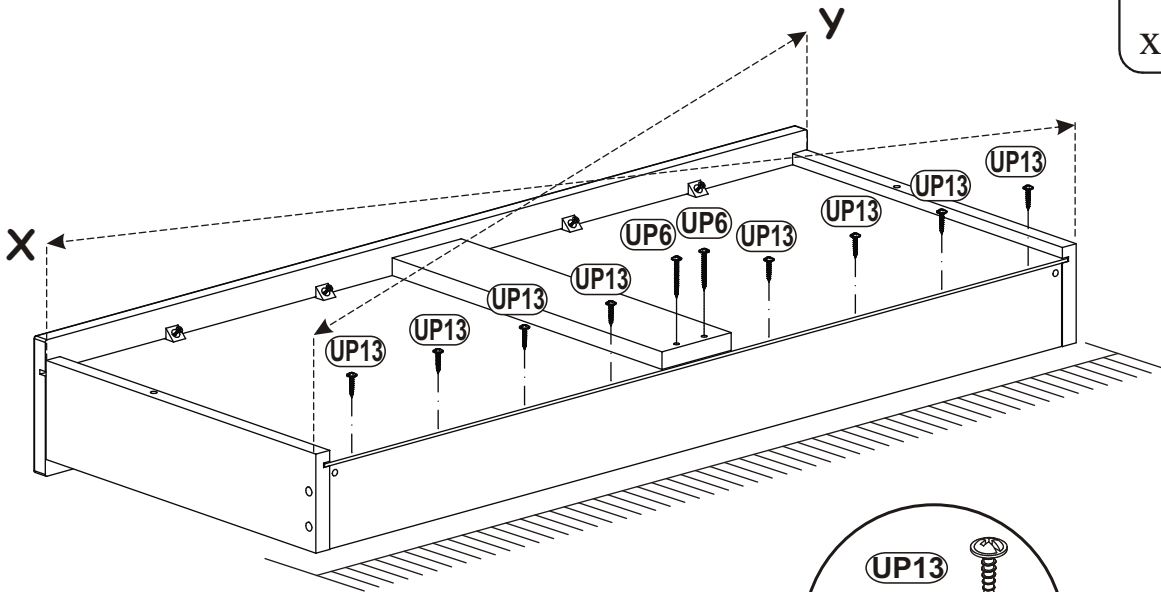
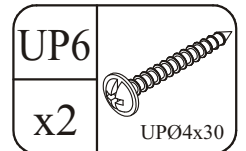
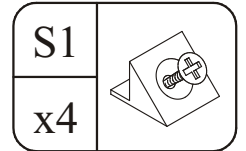
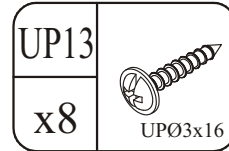
| | |
|----|---|
| G5 |  |
| x2 | |




14

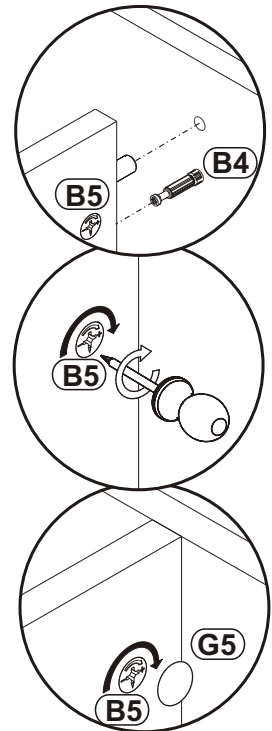
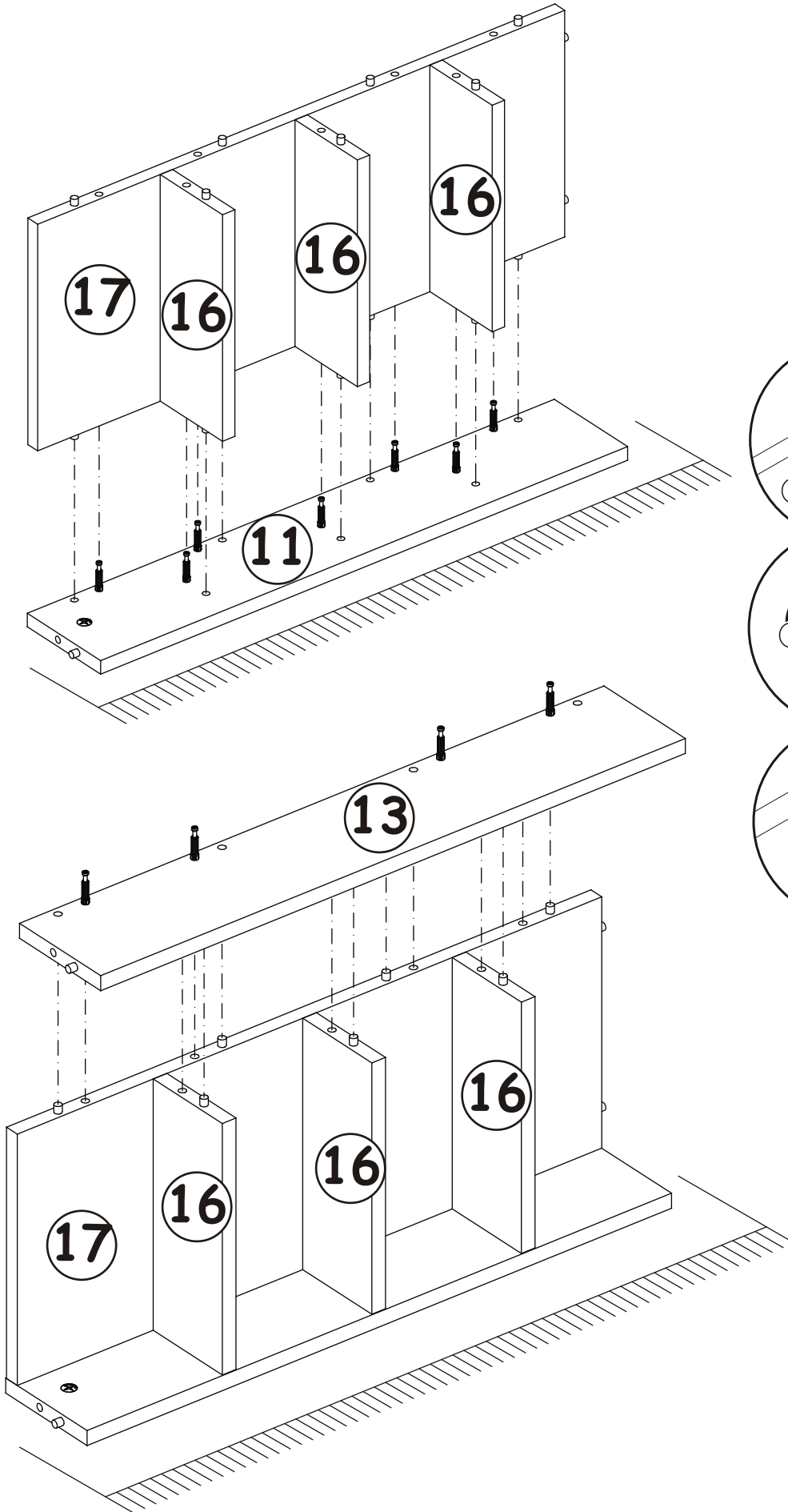


15




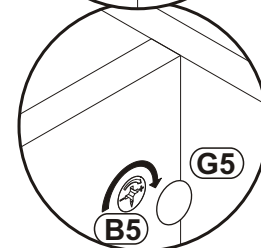
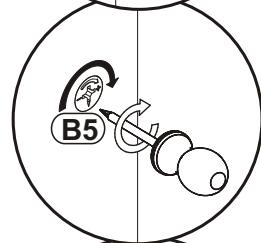
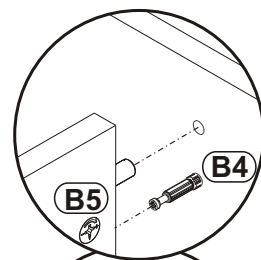
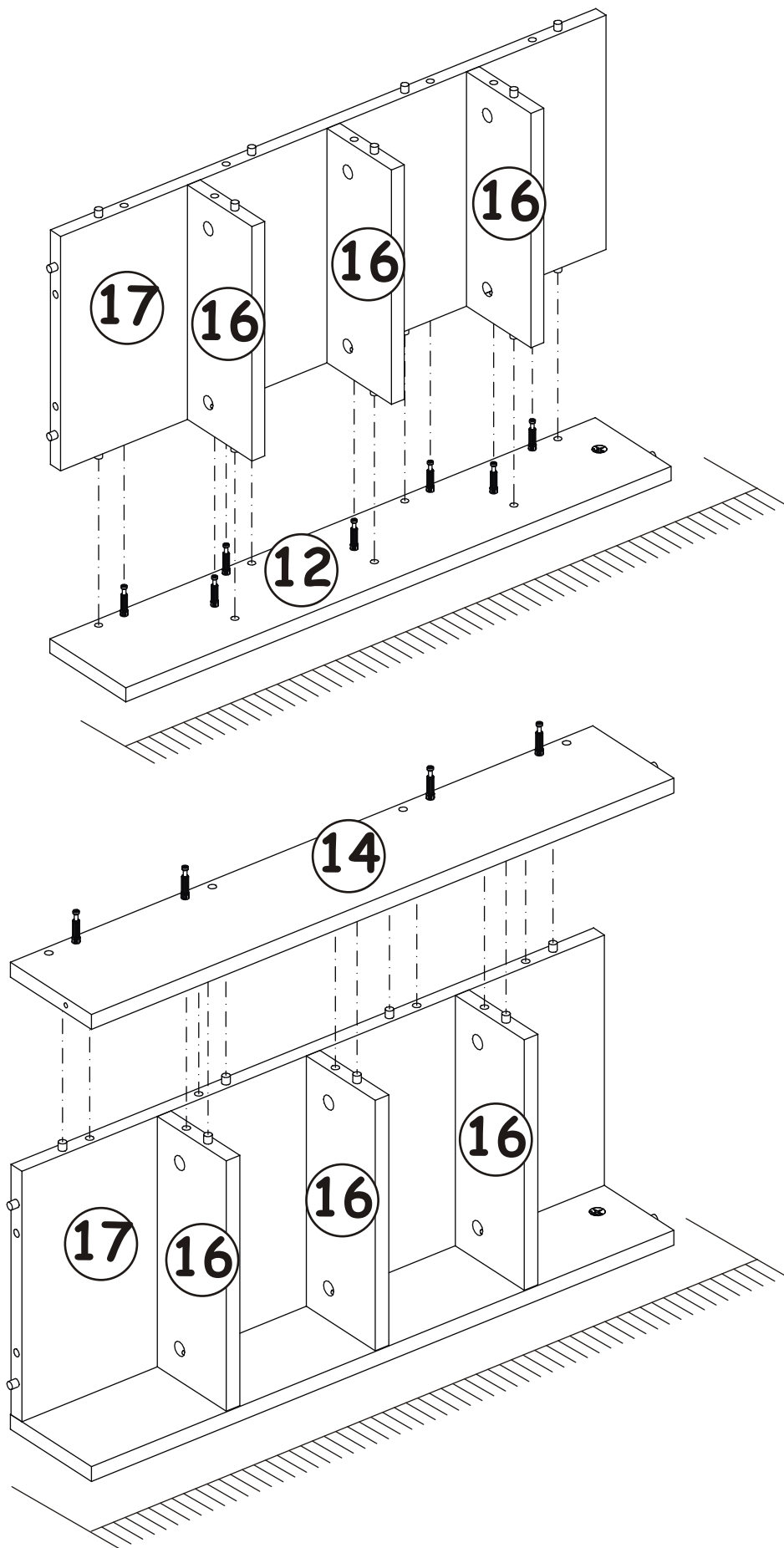
16

| | |
|-----|---|
| G5 |  |
| x14 | |

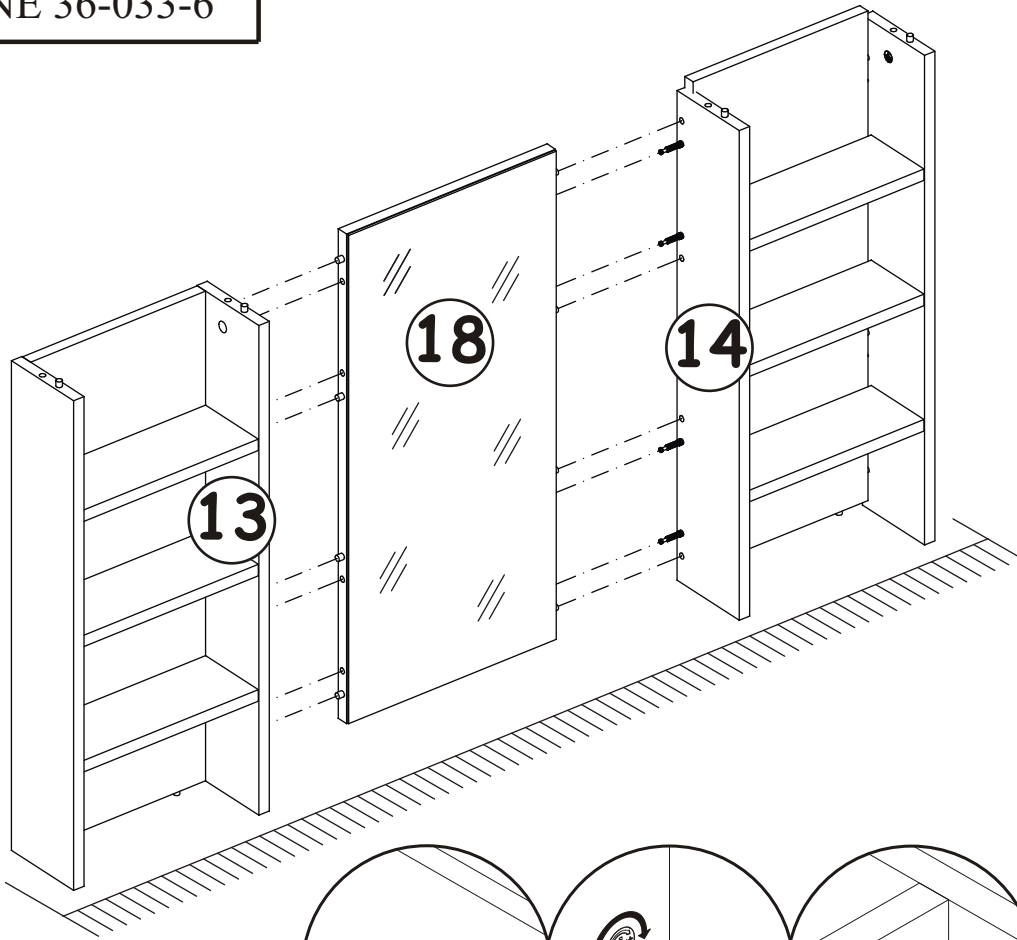



17

| | |
|-----|---|
| G5 |  |
| x14 | |

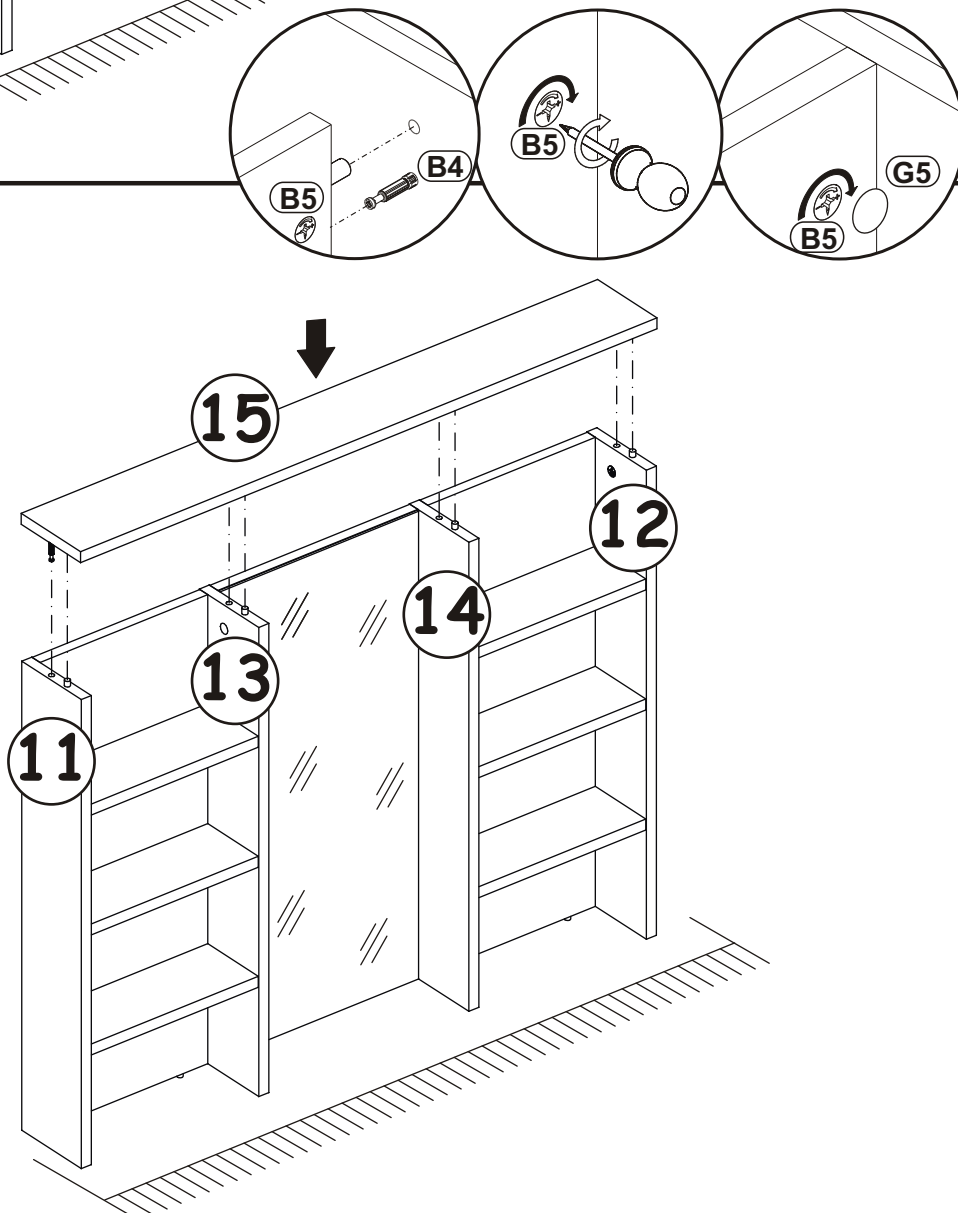



18



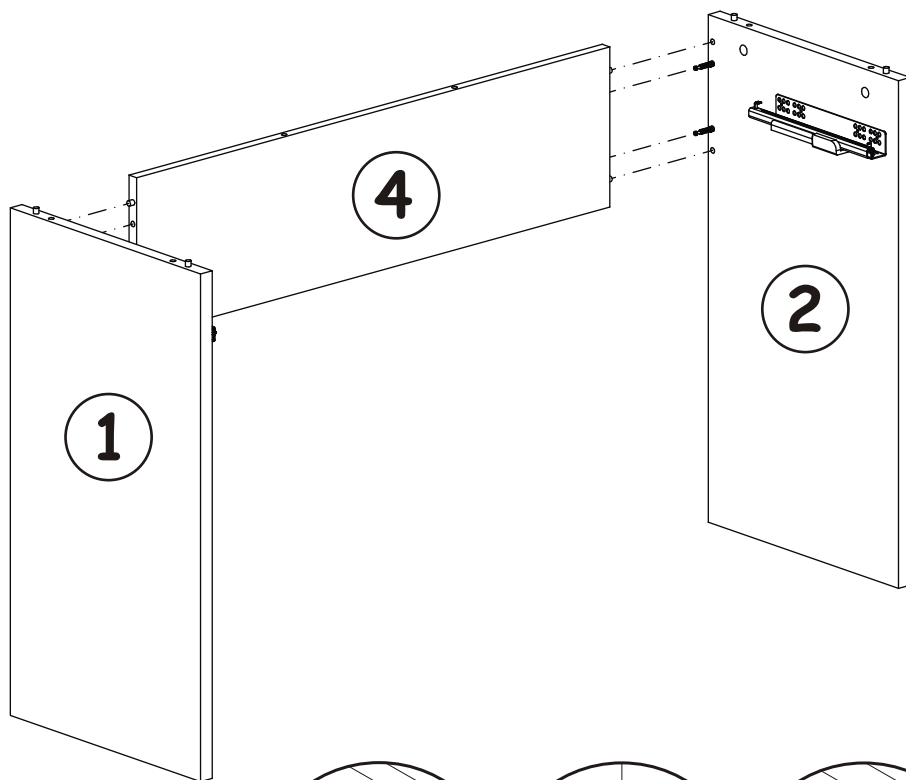
| | |
|----|---|
| G5 |  |
| x8 | |


19

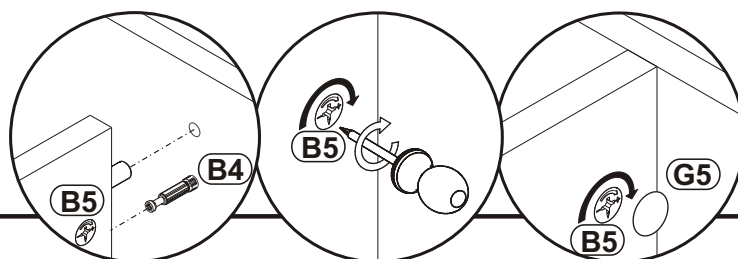


| | |
|----|---|
| G5 |  |
| x4 | |

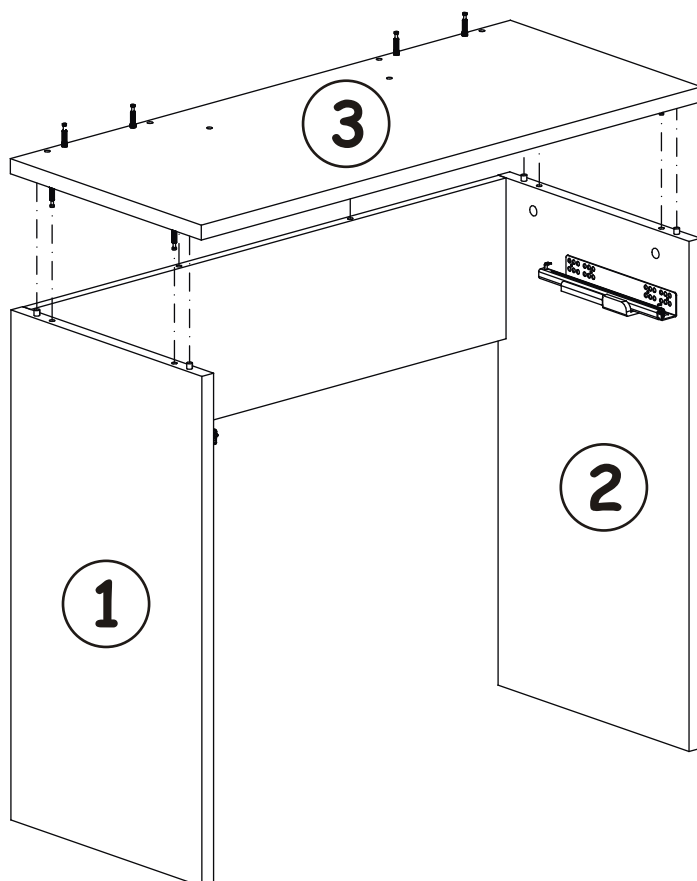
20




| | |
|----|---|
| G5 |  |
| x4 | |

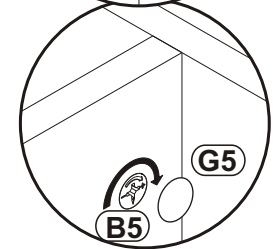
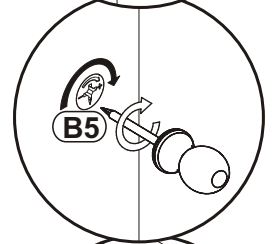
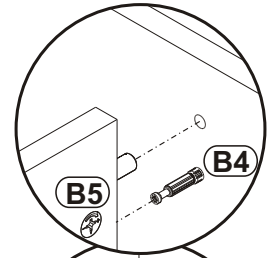
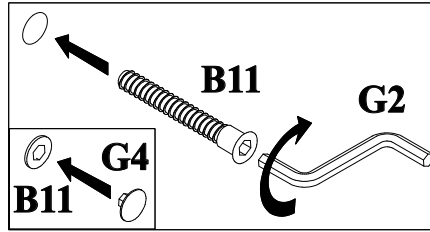
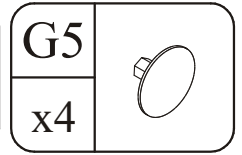
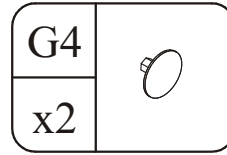
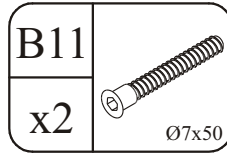
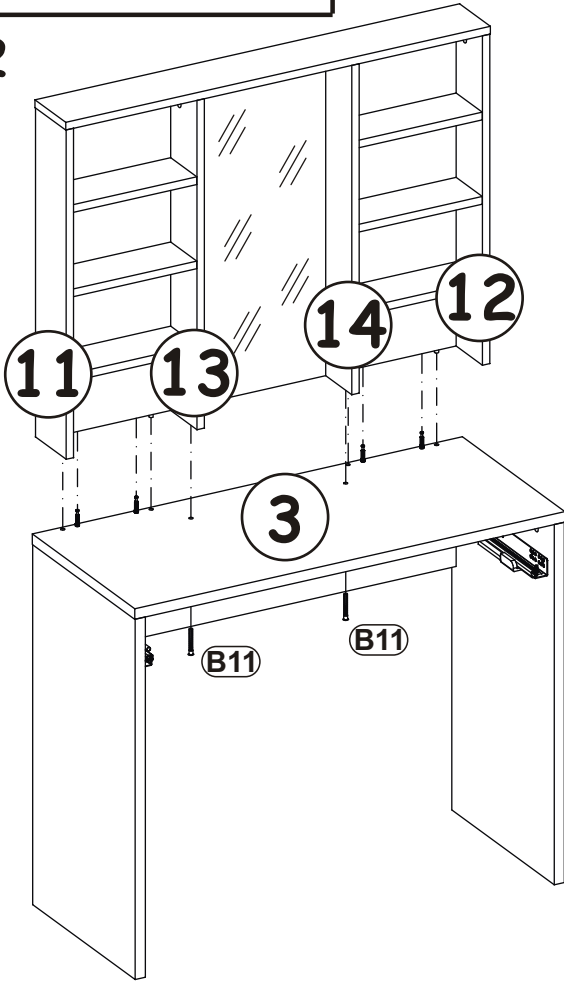


21

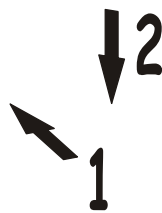
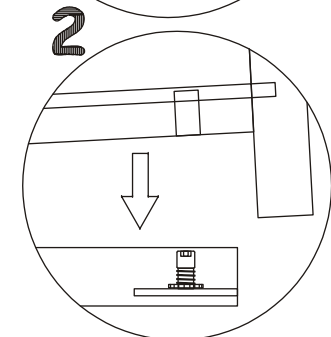
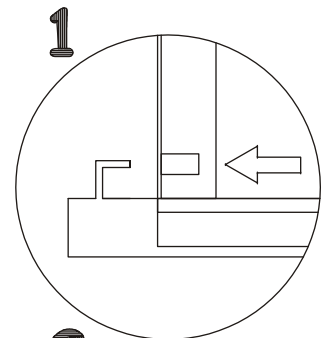
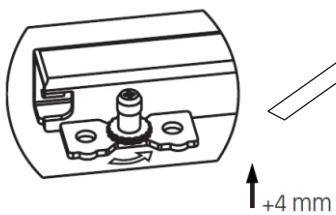
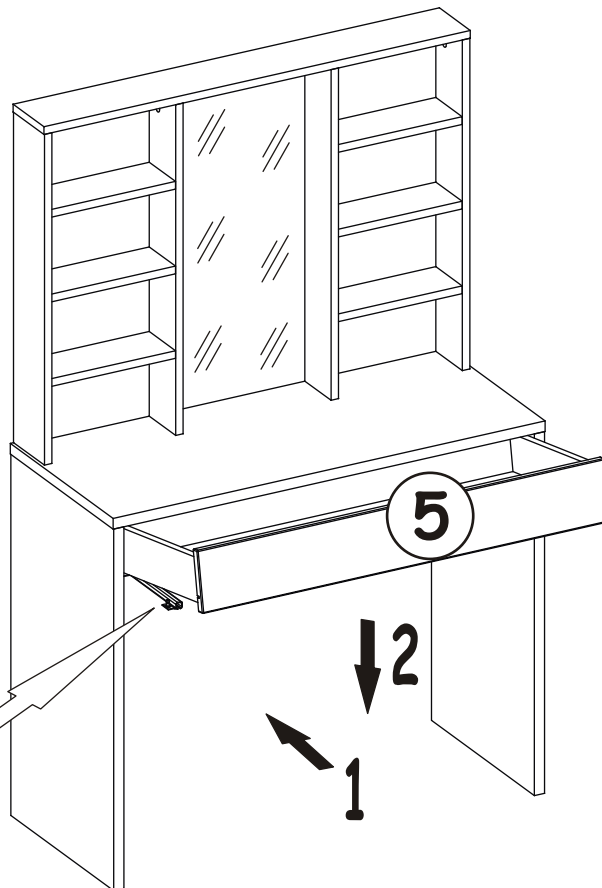


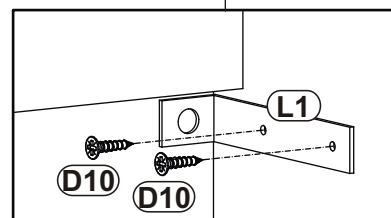
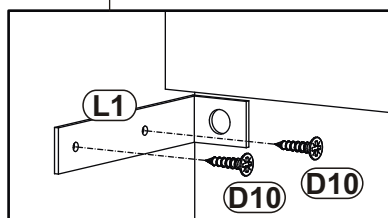
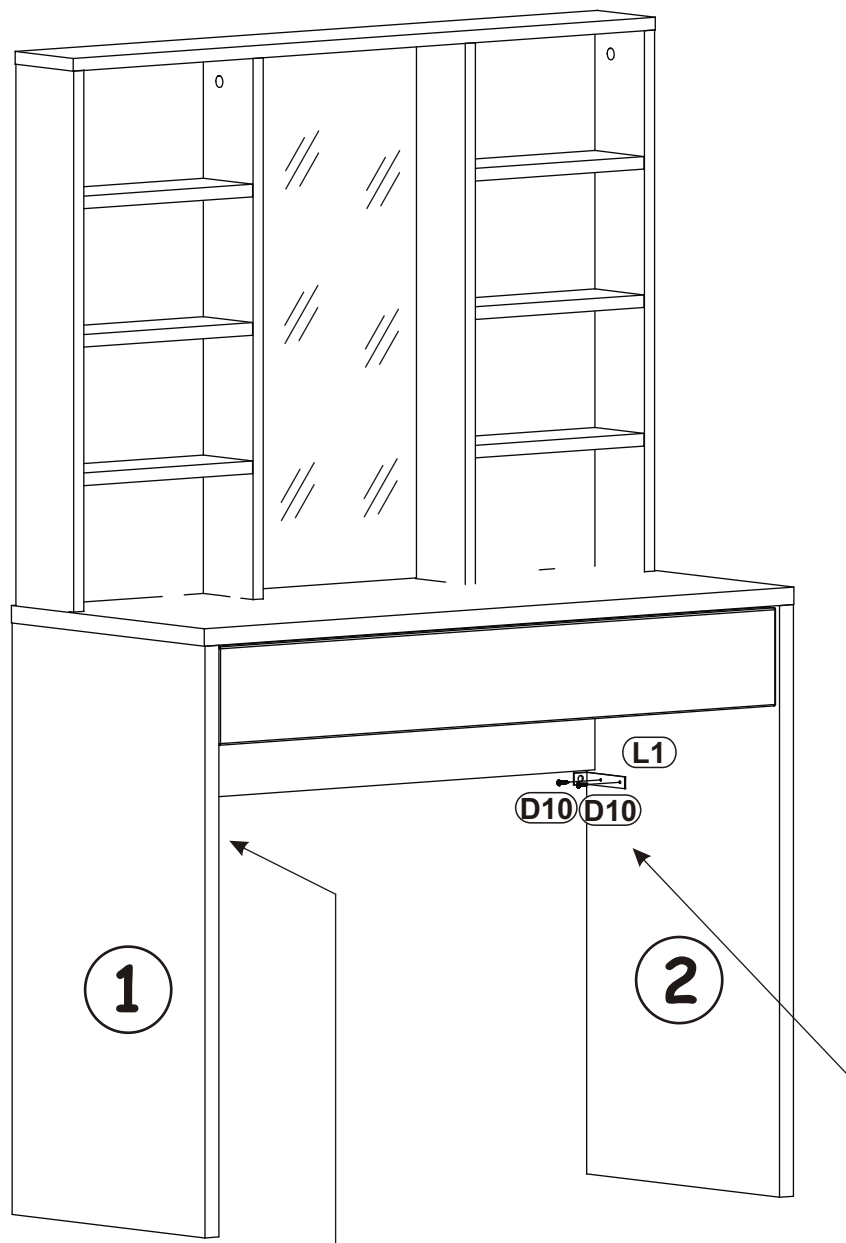
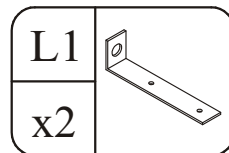
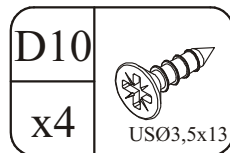
| | |
|----|---|
| G5 |  |
| x6 | |

22



23





25

