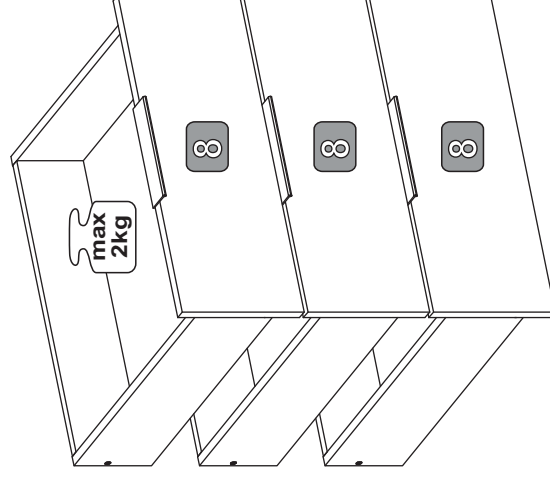
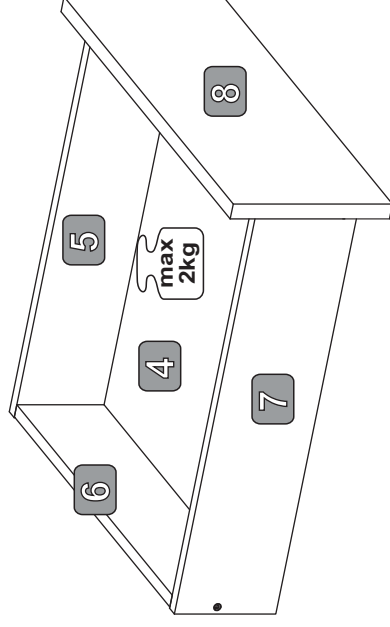
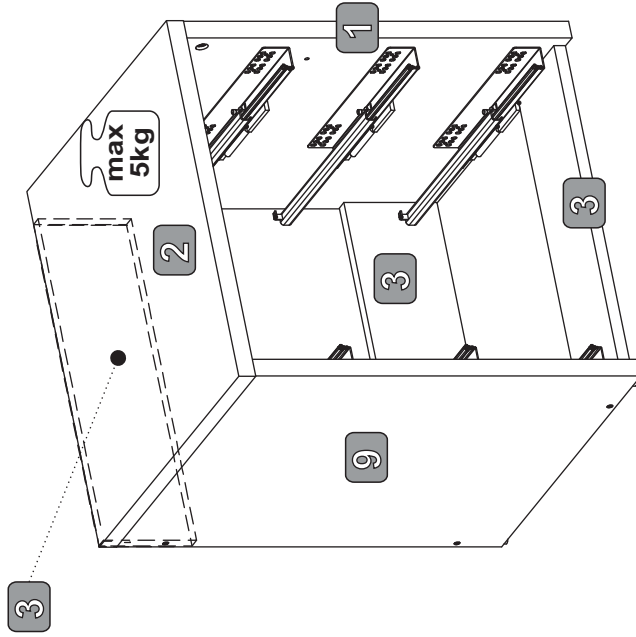
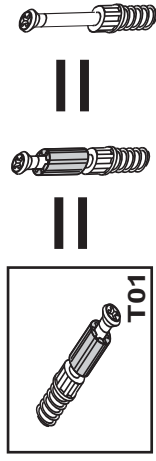


4x	15x12	T02	4x	12x9,5	T12	10x	T01	6x	5x60	W18	6x	5x40	W16	1x	K02	40x	D01	12x	R01	6x	C02a	4x	S01
3x	B12R	3x	B12L	12x	W12	12x	W02	4x	W23	6x	W03	3x	U59	3x	P05L	3x	P05R						



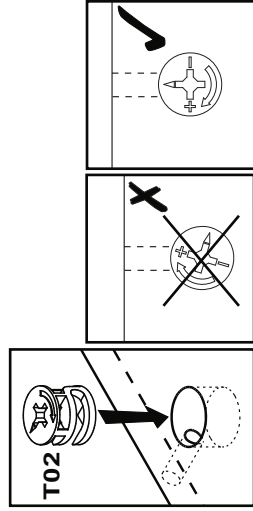
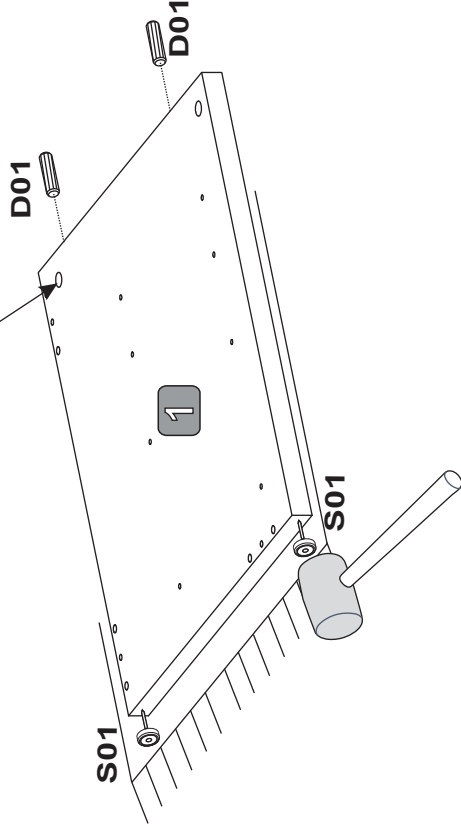
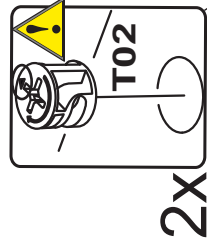
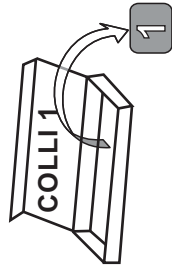
NR	DIM	QTE	COLL
1	497x449,5x22	1	1/1
2	468x450x22	1	1/1
3	423x120x15	3	1/1
4	394x400x2	3	1/1
5	400x100x12	3	1/1
6	383x100x12	3	1/1
7	400x100x12	3	1/1
8	417x157x15	3	1/1
9	497x449,5x22	1	1/1

0 10 20 30 40 50 60 70 80 90 100 110 120 130 140 150 160 170 180 190 200



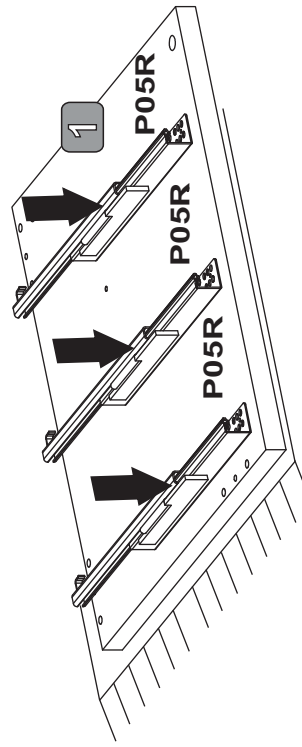
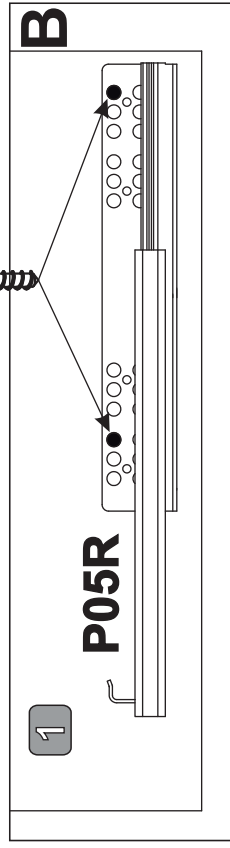
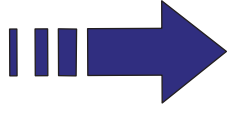
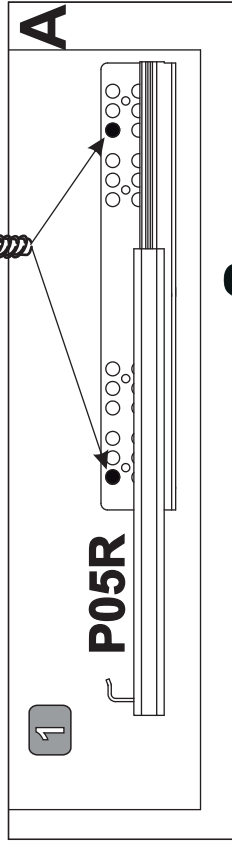
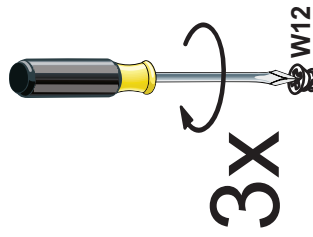
1

8x28	D01	2x	15x12	T02	2x	S01



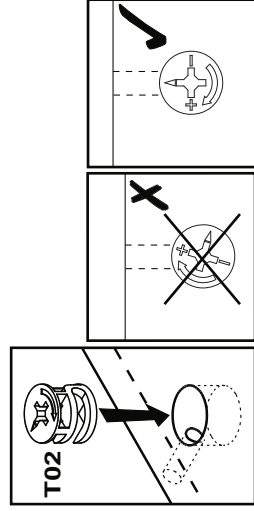
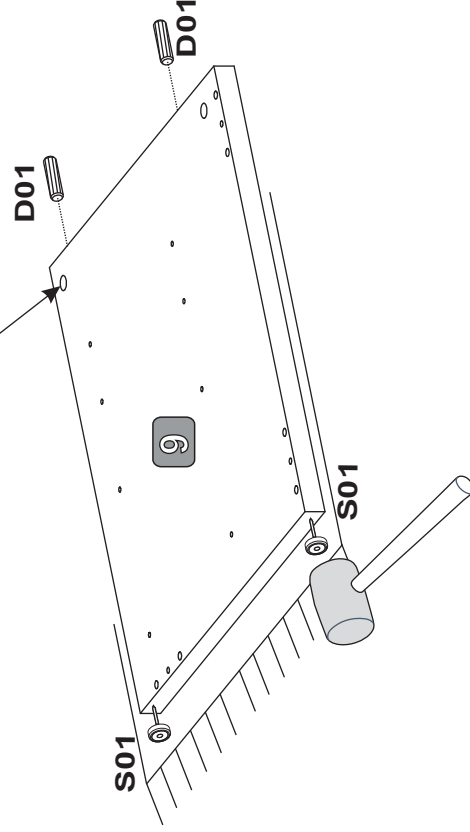
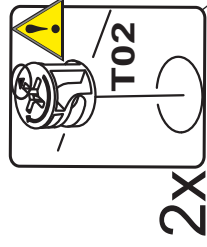
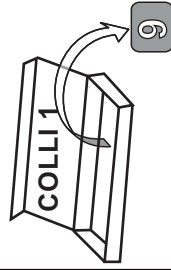
2

3x	P05R	6x	6x11	W12
	3,5x13	6x		W02



3

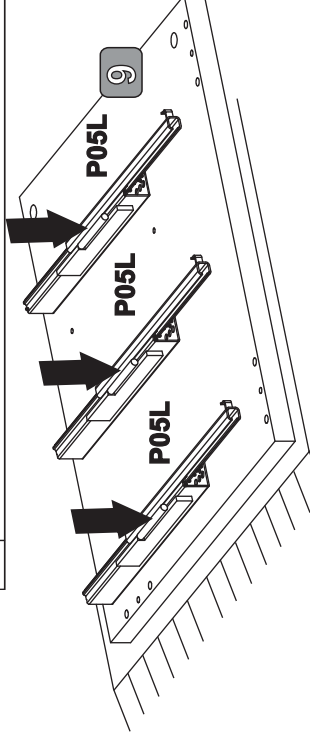
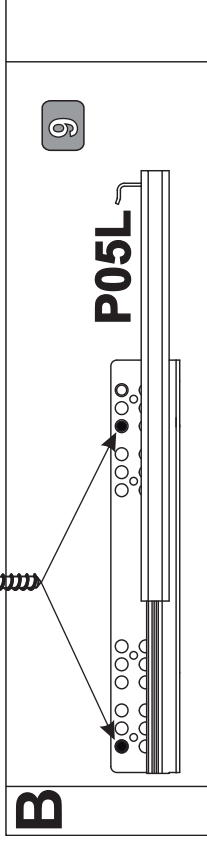
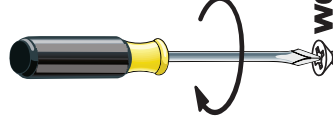
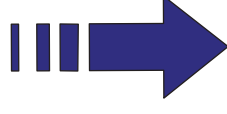
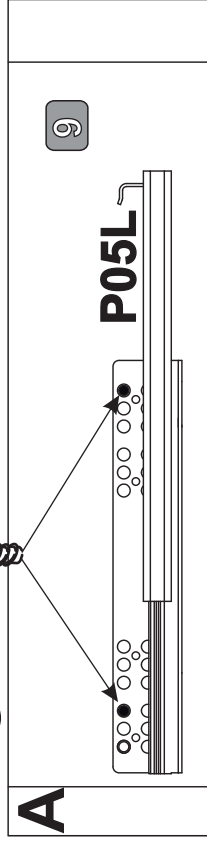
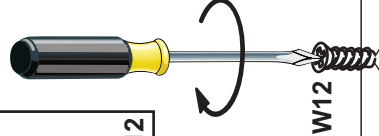
8x28	D01	2x	15x12	T02	2x	S01



4

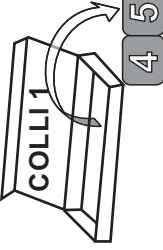
3x	P05L	6x	6x11	W12
3,5x13	W02	6x		

3X



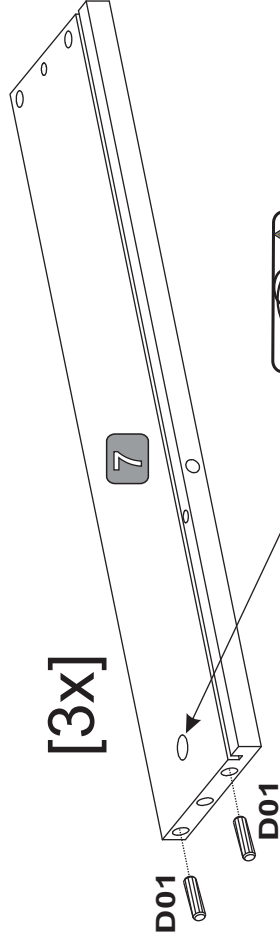
5

6x		T12 12x9,5	D01 6x	T01
		8x28	D01 6x	

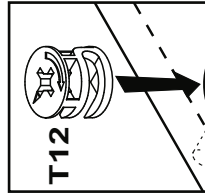
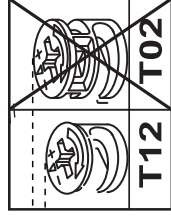
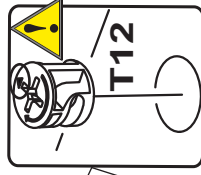


4 5 6 7 8

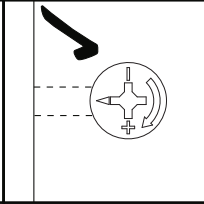
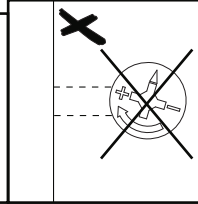
[3x]



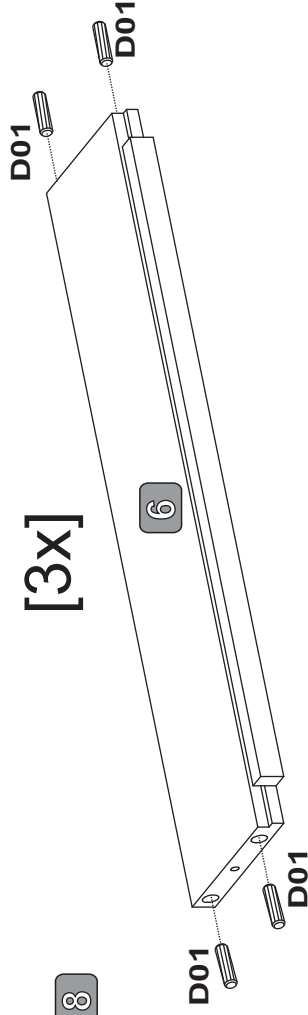
7



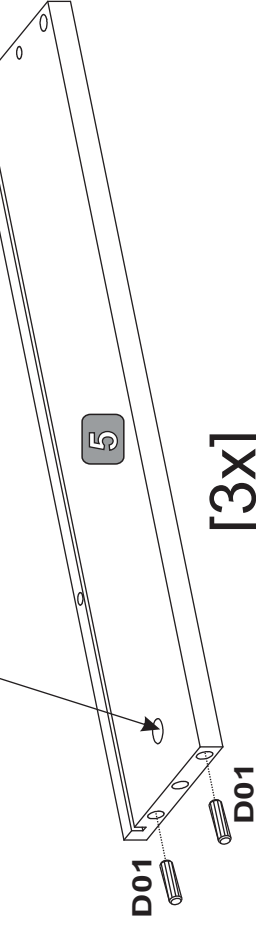
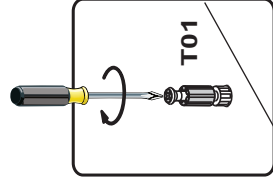
T12



[3x]

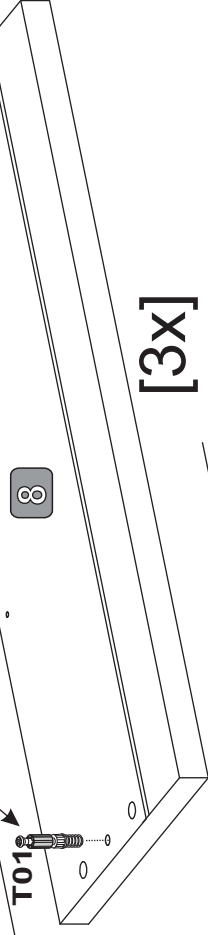
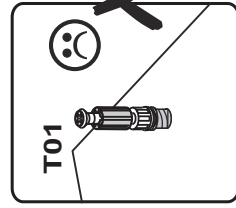
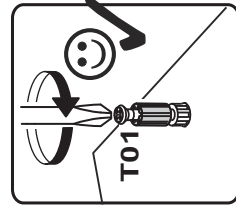


6



5

[3x]

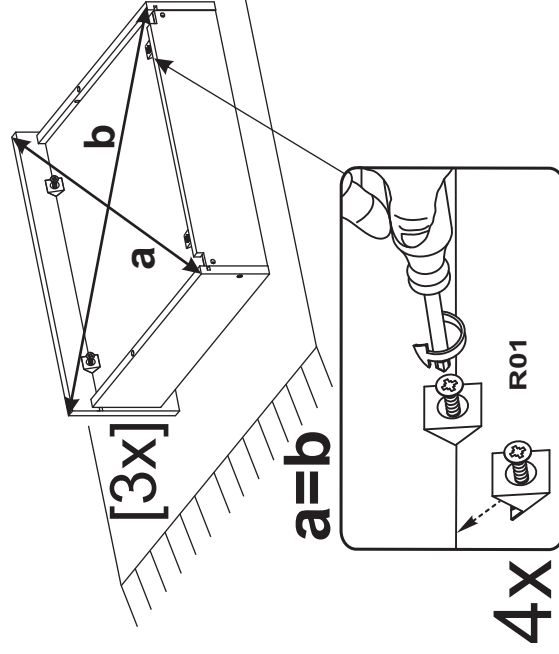
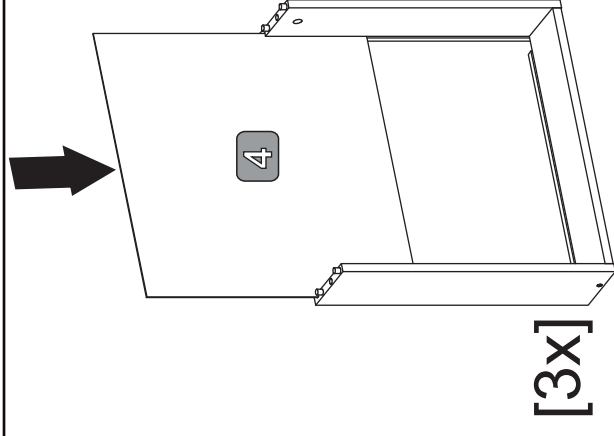
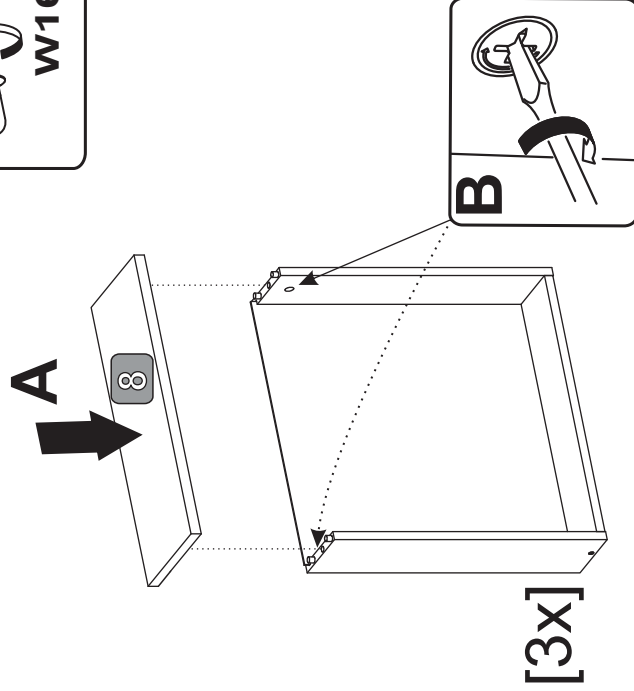
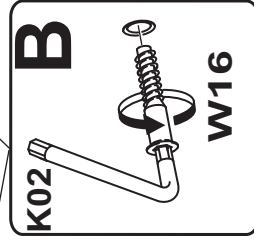
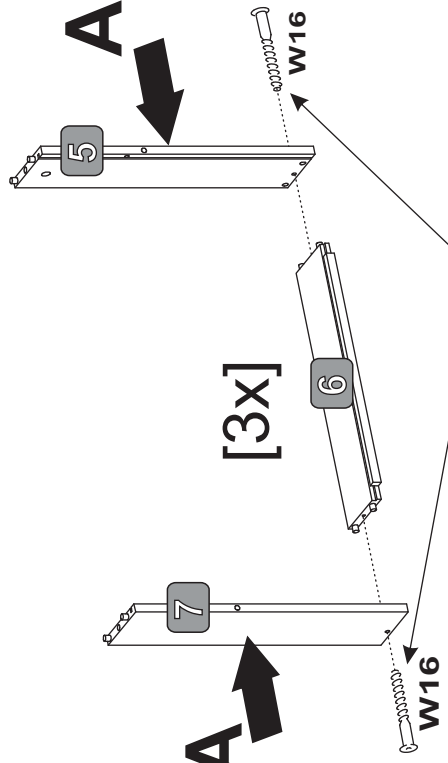


8

[3x]

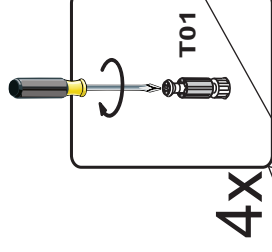
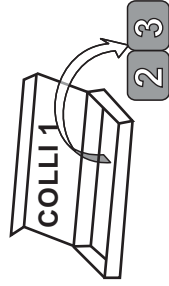
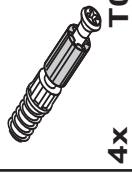
6

5x40		W16	1x
6x		K02	12x
L3		R01	12x

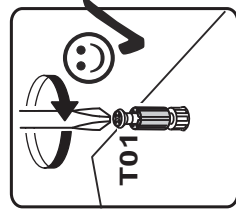
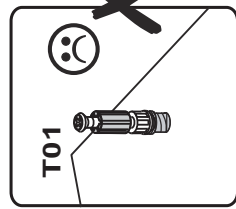
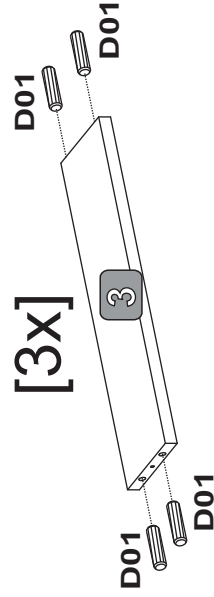
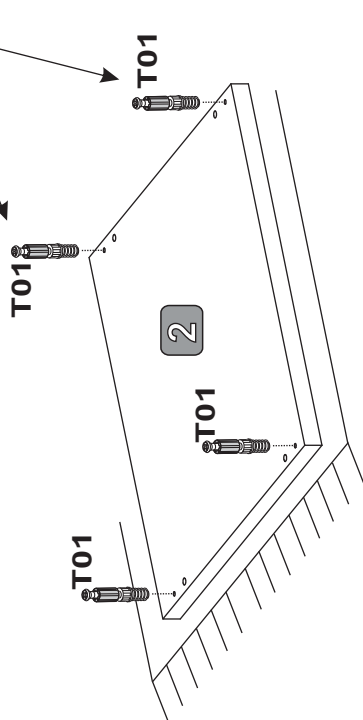


4x

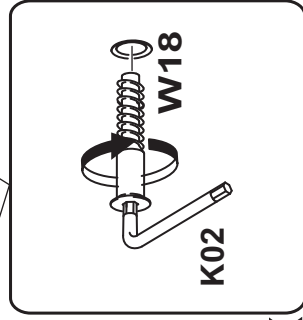
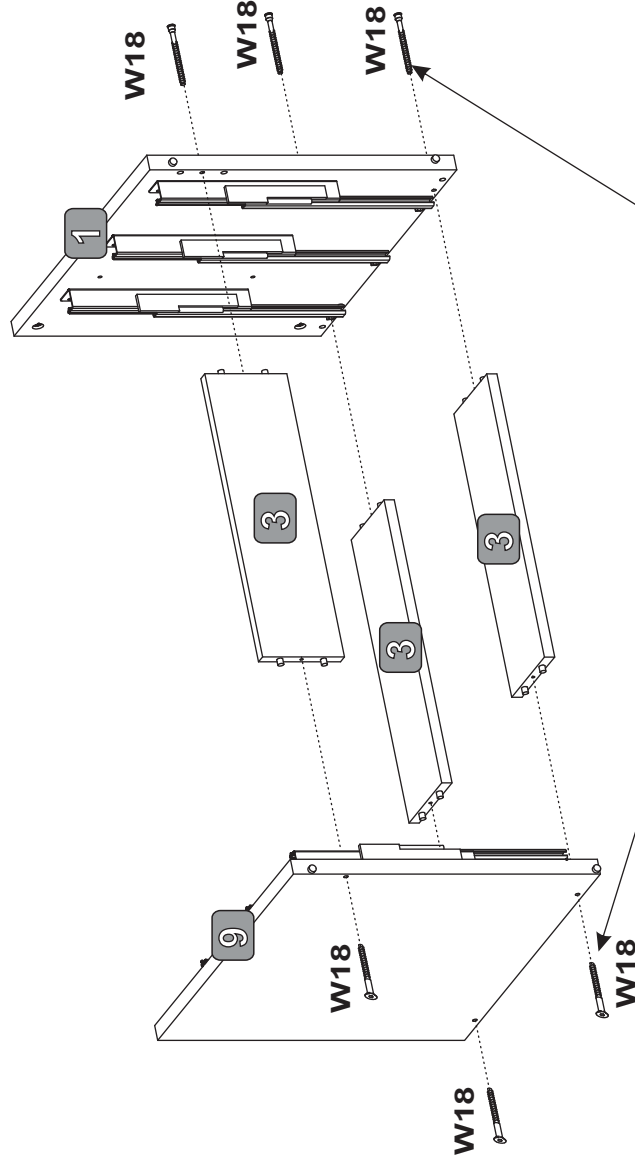
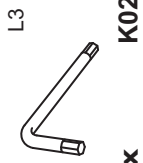
7



4X

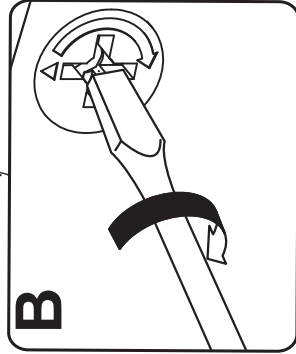
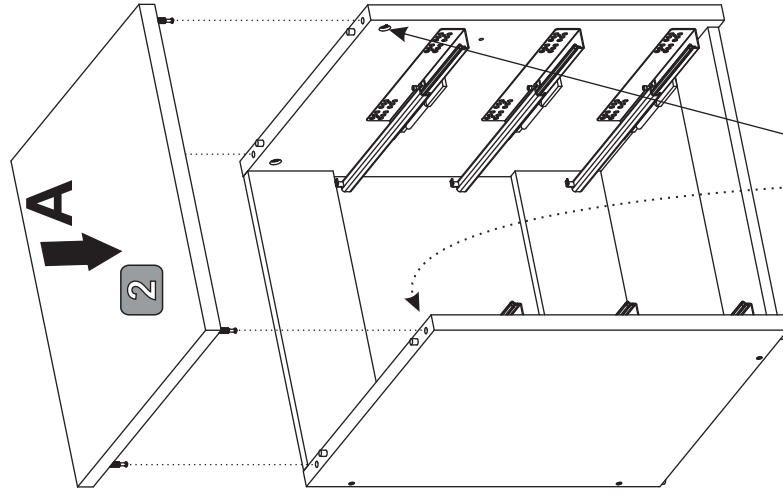


8



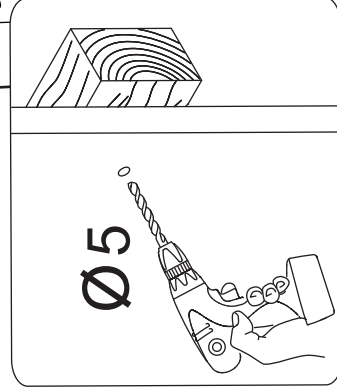
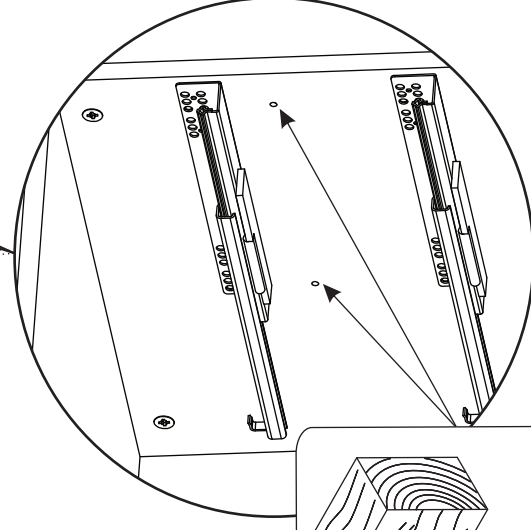
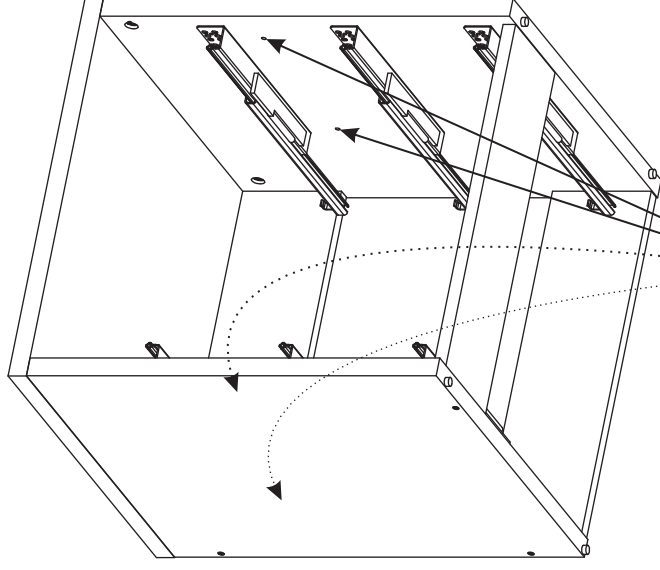
6X

9



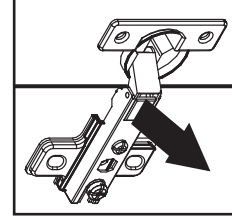
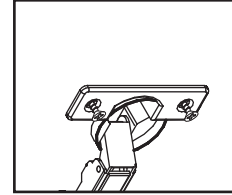
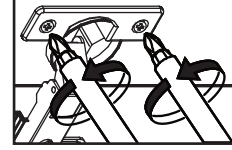
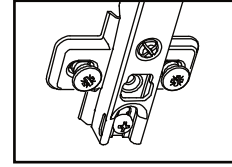
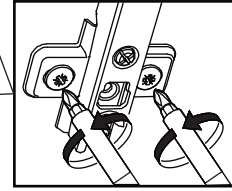
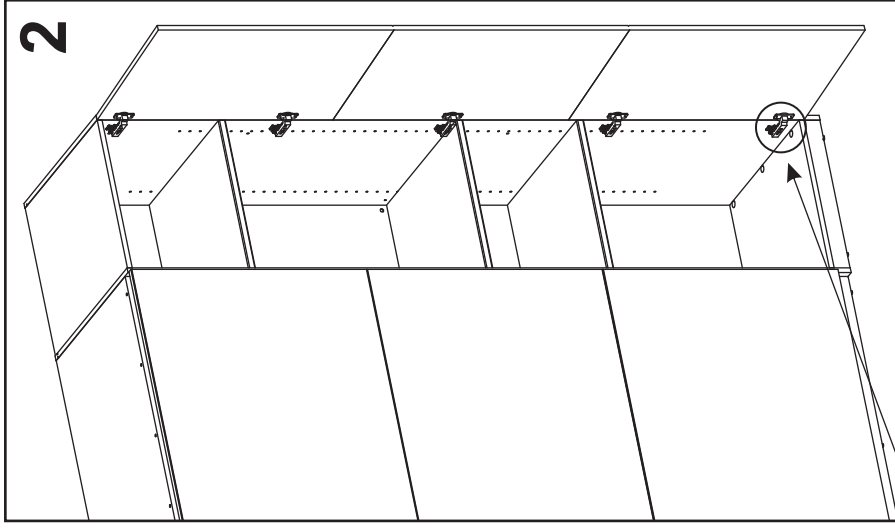
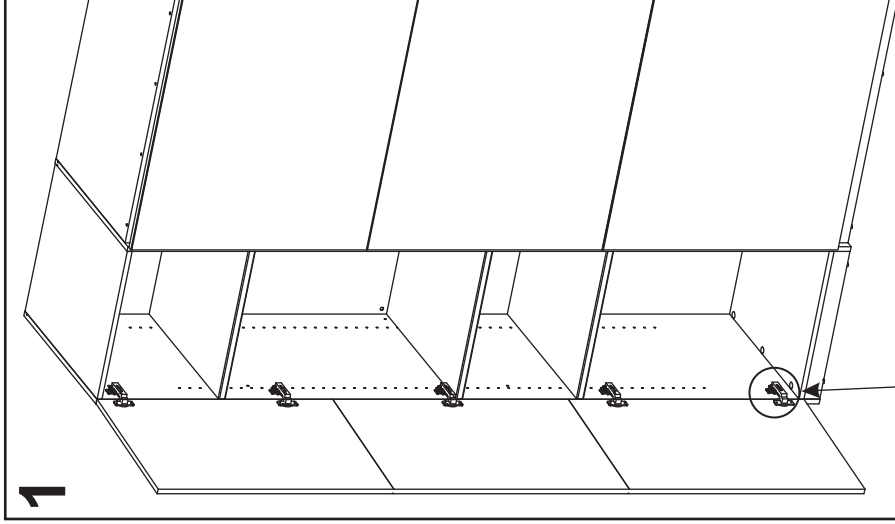
4X

10

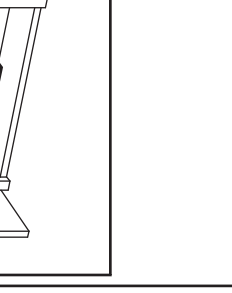
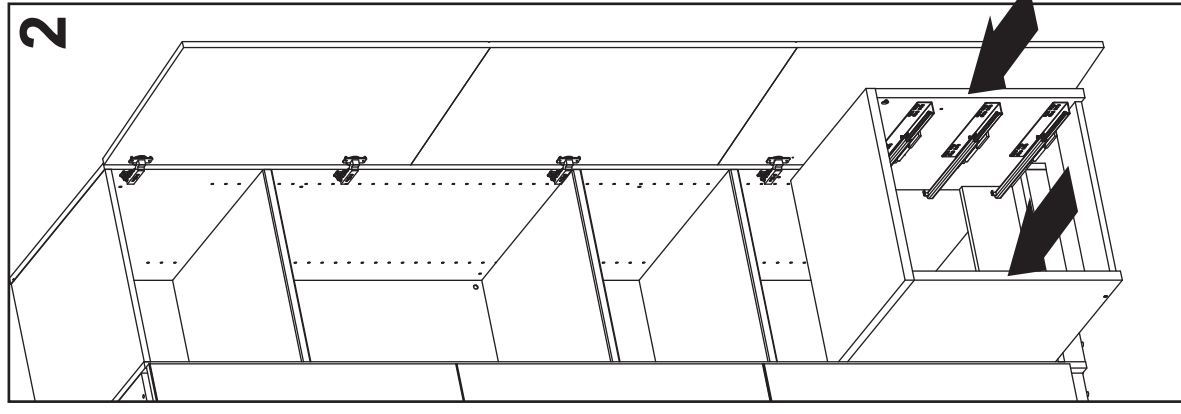
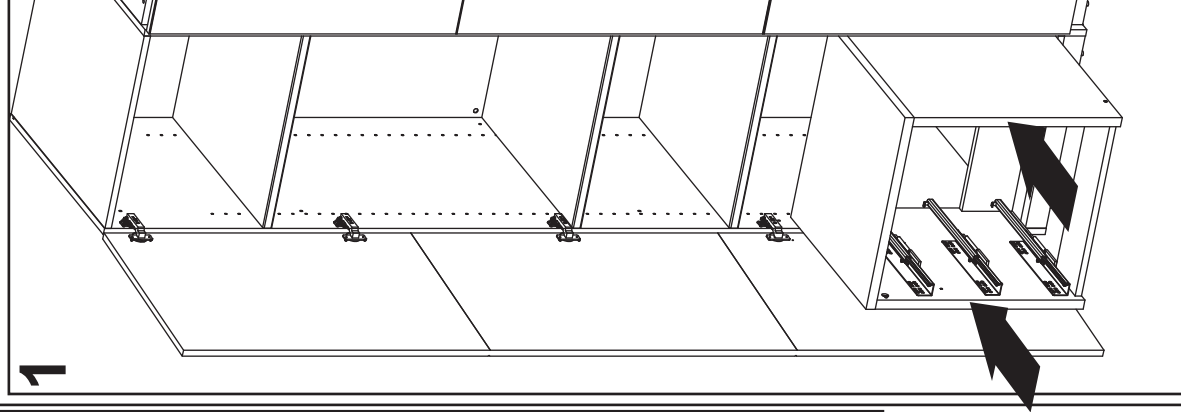


Ø5

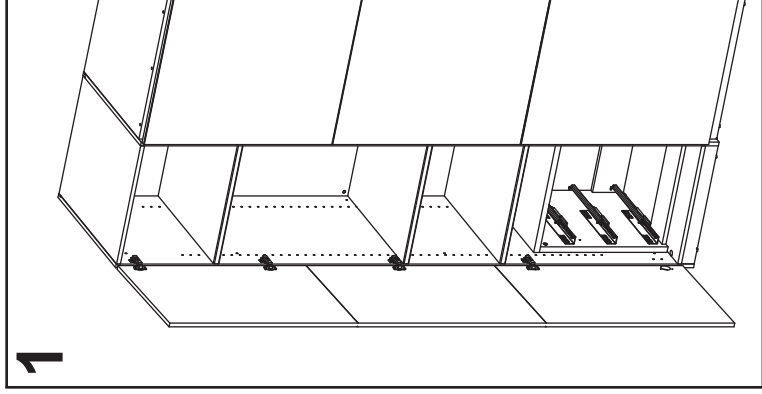
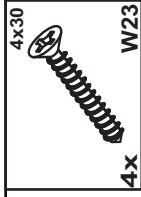
11



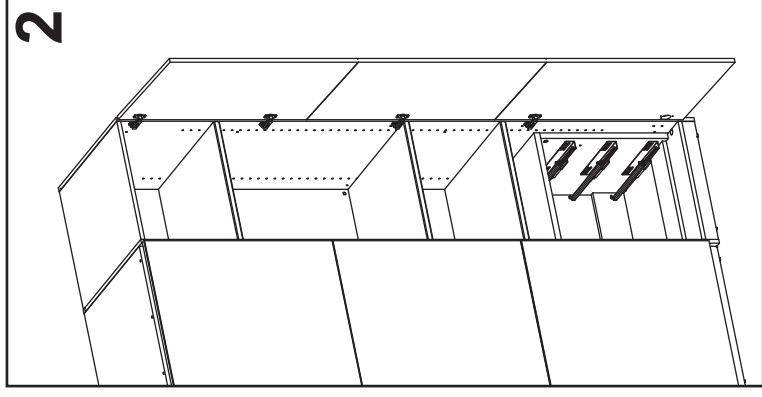
12



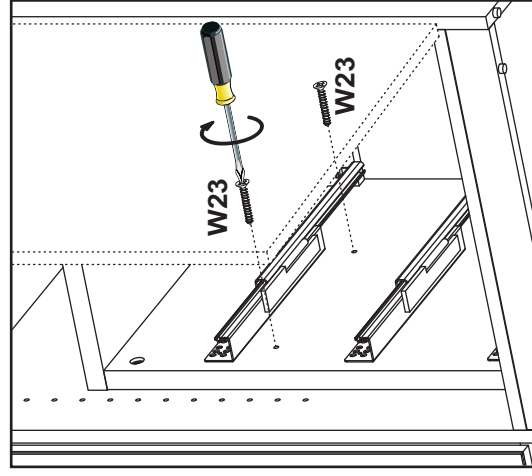
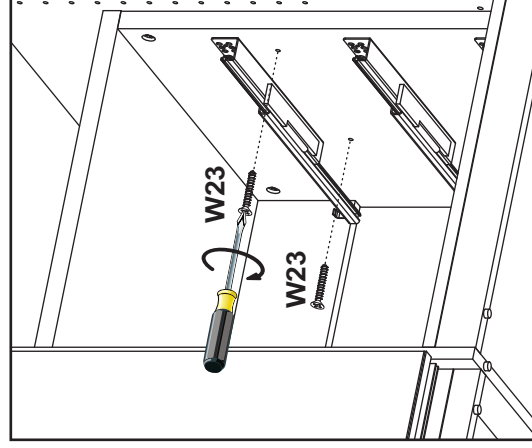
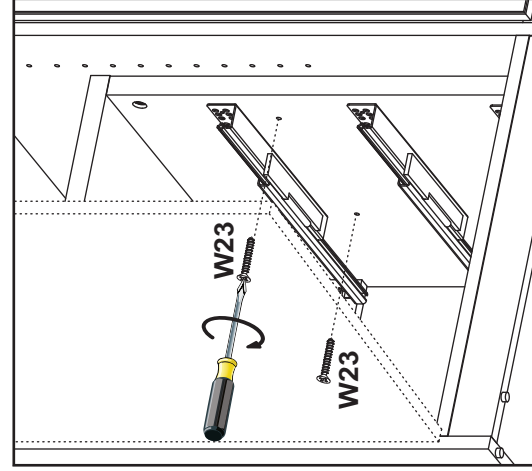
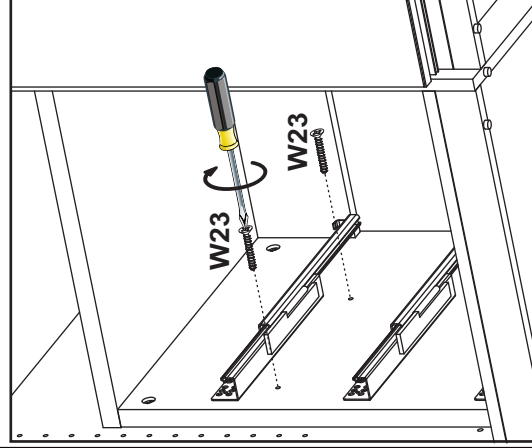
13



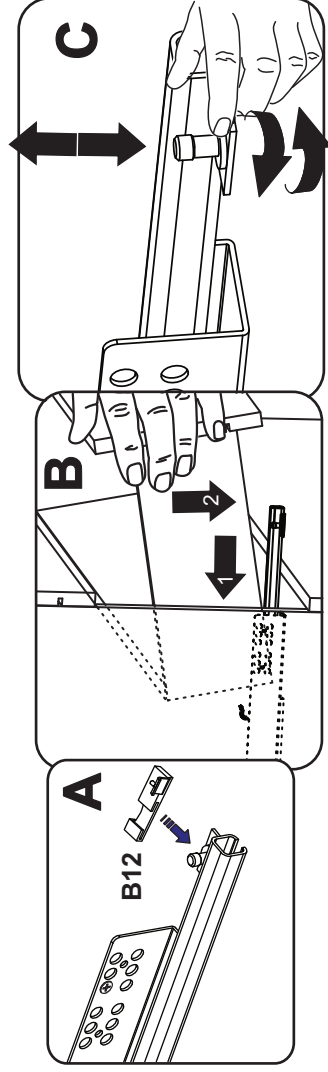
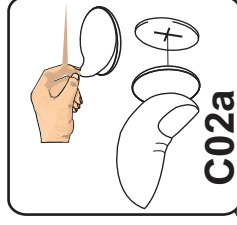
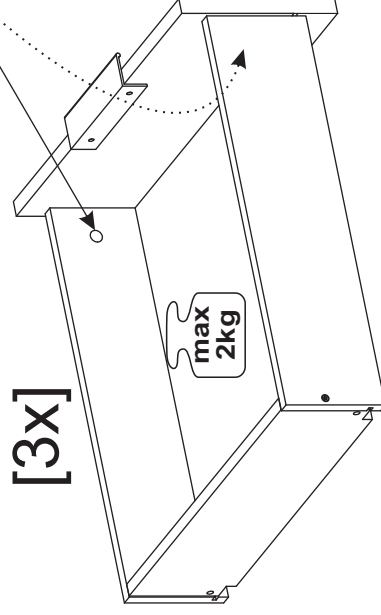
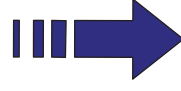
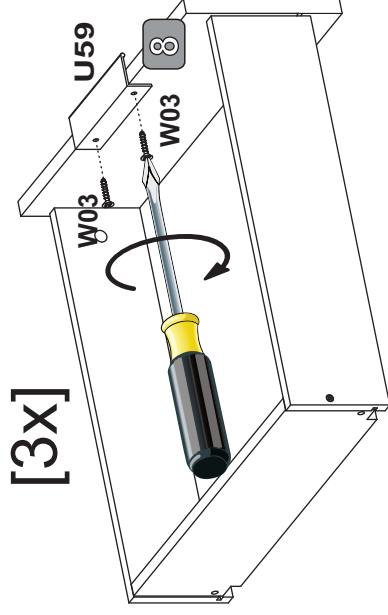
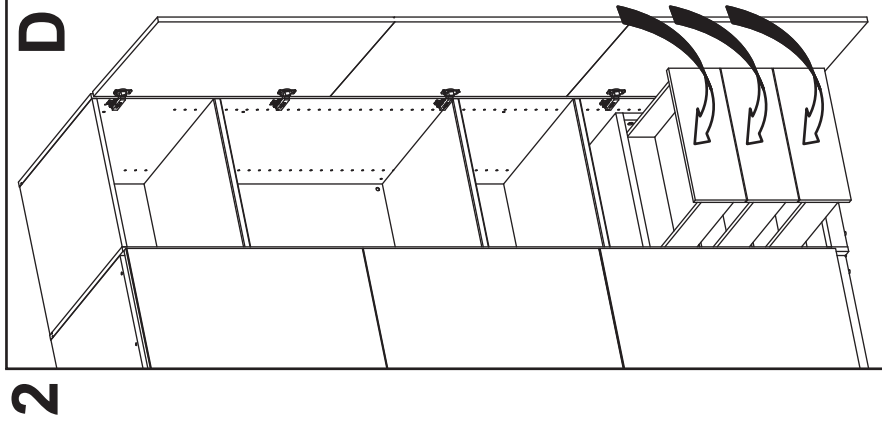
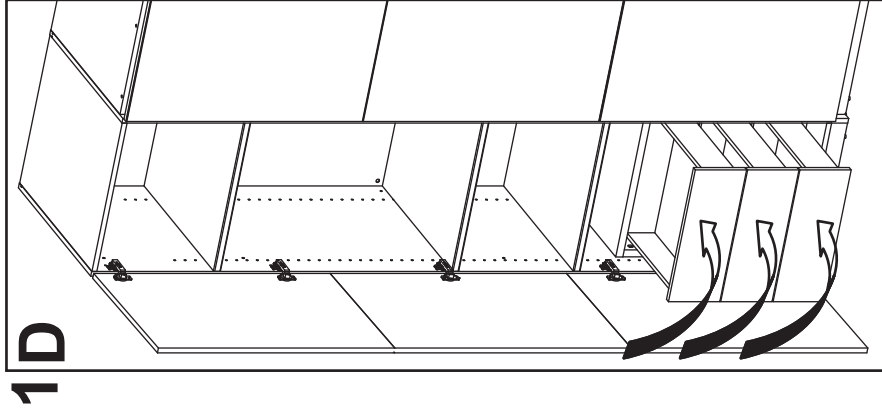
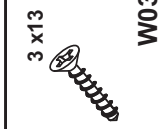
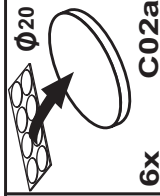
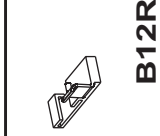
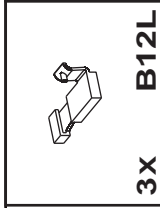
1



2



14



15

1

